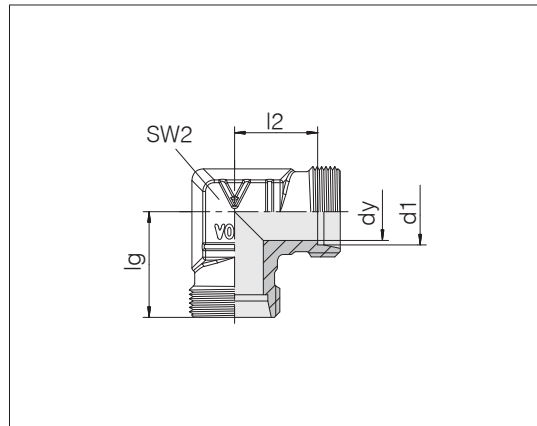


Union elbows

Tube coupling: 24° in acc. with ISO 8434-1



3

Series	Tube OD	Pressure	dy	lg	l2	SW2	kg/100 ca.	Order-No.	Designation
LL	4	PN 100	3	15	11	9	1.3	0719002000	24-E-LL4-P
LL	6	PN 100	4.5	15	9.5	11	1.5	0719102000	24-E-LL6-P
LL	8	PN 100	6	17	11.5	12	2.3	0719152000	24-E-LL8-P
L	6	PN 500	4	19	12	12	2.8	0720002000	24-E-L6-P
L	8	PN 500	6	21	14	14	4.1	0720052000	24-E-L8-P
L	10	PN 500	8	22	15	17	5.6	0720102000	24-E-L10-P
L	12	PN 400	10	24	17	19	7.7	0720152000	24-E-L12-P
L	15	PN 400	12	28	21	19	7.4	0720202000	24-E-L15
L	18	PN 400	15	31	23.5	24	11.9	0720252000	24-E-L18
L	22	PN 250	19	35	27.5	27	15.2	0720302000	24-E-L22
L	28	PN 250	24	38	30.5	36	25.1	0720352000	24-E-L28
L	35	PN 250	30	45	34.5	41	43.1	0720402000	24-E-L35
L	42	PN 250	36	51	40	50	78.2	0720452000	24-E-L42
S	6	PN 800	4	23	16	14	5.1	0720502000	24-E-S6-P
S	8	PN 800	5	24	17	17	7.2	0720552000	24-E-S8-P
S	10	PN 800	7	25	17.5	19	9.8	0720602000	24-E-S10-P
S	12	PN 630	8	29	21.5	22	14.4	0720652000	24-E-S12-P
S	14	PN 630	10	30	22	19	10.4	0720702000	24-E-S14
S	16	PN 630	12	33	24.5	24	12.7	0720752000	24-E-S16
S	20	PN 420	16	37	26.5	27	20.5	0720802000	24-E-S20
S	25	PN 420	20	42	30	36	34.9	0720852000	24-E-S25
S	30	PN 420	25	49	35.5	41	58.8	0720902000	24-E-S30
S	38	PN 420	32	57	41	50	103.1	0720952000	24-E-S38

Example for comp. :
W06LX
ISO 8434-1-E-L6-St

