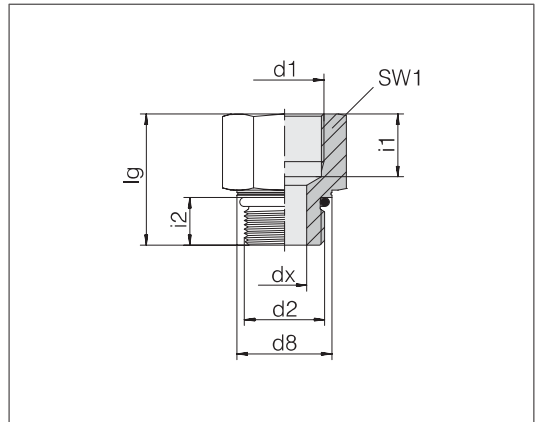


## Straight adapter ISO 6149 / DIN 3852

Both threads: metric fine thread, parallel

Standard O-ring material is NBR



Male thread d2	Female thread d1	Pressure	d6	dx	l1	SW1	i1	i2	Nm -10 %	kg/100 ca.	Order-No.	Designation
M 10 x 1	M 10 x 1	PB 630	13.8	3	24	17	11	8.5	15	2.6	1149542000	GP-SDS-M10F-IM10
M 12 x 1.5	M 12 x 1.5	PB 630	16.8	4	32.5	19	16	11	25	4.4	1149552000	GP-SDS-M12F-IM12
M 14 x 1.5	M 14 x 1.5	PB 630	18.8	6	31.5	22	16	11	35	5.6	1149562000	GP-SDS-M14F-IM14
M 16 x 1.5	M 16 x 1.5	PB 630	21.8	7	33	24	16	11.5	40	7.1	1149572000	GP-SDS-M16F-IM16
M 18 x 1.5	M 18 x 1.5	PB 630	23.8	9	34	27	16	12.5	45	8.8	1149582000	GP-SDS-M18F-IM18
M 22 x 1.5	M 22 x 1.5	PB 630	26.8	12	37	32	18	13	60	13.0	1149592000	GP-SDS-M22F-IM22
M 27 x 2	M 26 x 1.5	PB 400	31.8	15	44	36	21	16	100	19.4	1149602000	GP-SDS-M27F-IM26
M 27 x 2	M 27 x 2	PB 400	31.8	15	44	36	21	16	100	19.0	1149612000	GP-SDS-M27F-IM27
M 33 x 2	M 33 x 2	PB 400	40.8	20	46	46	23	16	160	32.0	1149622000	GP-SDS-M33F-IM33
M 42 x 2	M 42 x 4	PB 250	49.8	26	49	55	25	16	210	46.7	1149632000	GP-SDS-M42F-IM42
M 48 x 2	M 48 x 2	PB 250	54.8	32	53.5	60	27	17.5	260	56.5	1149642000	GP-SDS-M48F-IM48