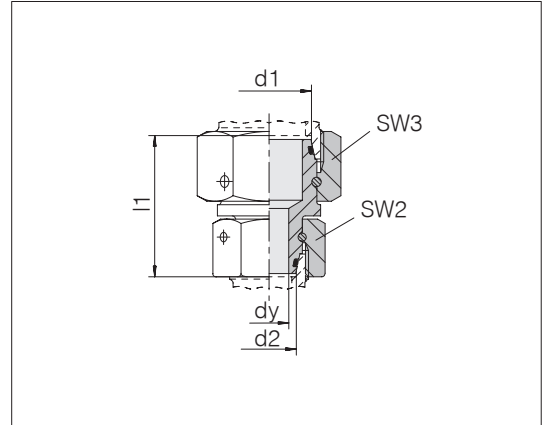


# Swivel reducers

With taper and O-ring  
fit in bore type  
W DIN 3861/ISO 8434-1

Standard O-ring material is FKM



Series Tube OD d1	Series Tube OD d2	Pressure	dy	l1	SW2	SW3	kg/100 ca.	Order-No.	Designation
L 6	S 6	PN 500	2.5	34	17	14	3.7	1180262058	24-SW2OS-L6-S6-CP1
L 6	S 6	PN 500	2.5	37.5	17	14	3.9	1178232058	24-SW2OS-L6-S6-CP2
L 8	L 6	PN 500	2.5	34	14	17	3.8	1180002058	24-SW2OS-L8-L6-CP1
L 8	S 8	PN 500	4	34.5	19	17	5.3	1180272058	24-SW2OS-L8-S8-CP1
L 10	L 6	PN 500	2.5	34	14	19	4.4	1178662058	24-SW2OS-L10-L6-CP1
L 10	L 8	PN 500	4	34.5	17	19	5.2	1180012058	24-SW2OS-L10-L8-CP1
L 10	S 10	PN 500	6	35	22	19	6.8	1180282058	24-SW2OS-L10-S10-CP1
L 10	S 10	PN 500	6	40	22	19	7.2	1178242058	24-SW2OS-L10-S10-CP2
L 12	L 10	PN 400	6	34.5	19	22	6.8	1180042058	24-SW2OS-L12-L10-CP1
L 12	L 10	PN 400	6	37.5	19	22	7.1	1178682058	24-SW2OS-L12-L10-CP2
L 12	L 6	PN 400	2.5	34.5	14	22	5.4	1180022058	24-SW2OS-L12-L6-CP1
L 12	L 8	PN 400	4	34.5	17	22	6.2	1180032058	24-SW2OS-L12-L8-CP1
L 12	S 12	PN 400	8	37.5	24	22	8.9	1180292058	24-SW2OS-L12-S12-CP1
L 12	S 12	PN 400	8	40.5	24	22	9.3	1178252058	24-SW2OS-L12-S12-CP2
L 15	L 10	PN 400	6	38	19	27	10.5	1178222058	24-SW2OS-L15-L10-CP12
L 15	L 12	PN 400	8	39	22	27	11.4	1178432058	24-SW2OS-L15-L12-CP1
L 15	L 8	PN 400	4	38	17	27	9.6	1178612058	24-SW2OS-L15-L8-CP12
L 18	L 10	PN 400	6	37.5	19	32	12.2	1180062058	24-SW2OS-L18-L10-CP1
L 18	L 12	PN 400	8	37.5	22	32	13.1	1180072058	24-SW2OS-L18-L12-CP1
L 18	L 15	PN 400	10	40.5	27	32	16.5	1180082058	24-SW2OS-L18-L15-CP1
L 18	L 15	PN 400	10	45	27	32	17.3	1178202058	24-SW2OS-L18-L15
L 18	S 16	PN 400	11	41.5	30	32	18.2	1180302058	24-SW2OS-L18-S16-CP1
L 22	L 12	PN 250	8	43.5	22	36	18.1	1180092058	24-SW2OS-L22-L12-CP1
L 22	L 15	PN 250	10	43.5	27	36	20.2	1180102058	24-SW2OS-L22-L15-CP12
L 22	L 18	PN 250	13	44	32	36	22.1	1178212058	24-SW2OS-L22-L18-CP1
L 22	S 20	PN 250	14	47	36	36	25.9	1180312058	24-SW2OS-L22-S20-CP1
L 22	S 20	PN 250	14	53.5	36	36	27.5	1178262058	24-SW2OS-L22-S20-CP2
L 28	L 15	PN 250	10	46	27	41	24.8	1180112058	24-SW2OS-L28-L15
L 28	L 18	PN 250	13	46	32	41	26.0	1178622058	24-SW2OS-L28-L18-CP2
L 28	L 22	PN 250	17	46	36	41	28.2	1178302058	24-SW2OS-L28-L22-CP1
L 28	S 25	PN 250	18	50.5	46	41	40.8	1180322058	24-SW2OS-L28-S25-CP1

Example for comp. :  
GZR08/06LVIT

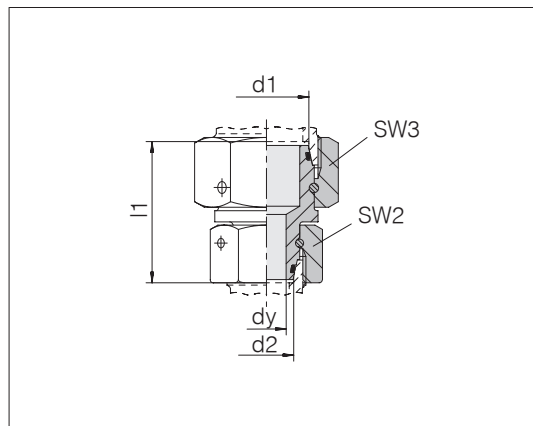
Continued on following page



## Swivel reducers

With taper and O-ring  
fit in bore type  
W DIN 3861/ISO 8434-1

Standard O-ring material is FKM



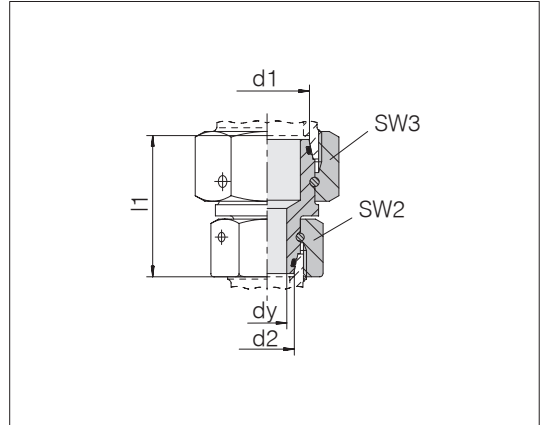
Series Tube OD d1	Series Tube OD d2	Pressure	dy	l1	SW2	SW3	kg/100 ca.	Order-No.	Designation
L 35	L 18	PN 250	13	51	32	50	37.5	1180122058	24-SW2OS-L35-L18-CP12
L 35	L 22	PN 250	17	51	36	50	38.4	1180132058	24-SW2OS-L35-L22-CP1
L 35	L 28	PN 250	22	51	41	50	40.3	1180142058	24-SW2OS-L35-L28-CP1
L 35	L 28	PN 250	22	52.5	41	50	41.0	1178672058	24-SW2OS-L35-L28-CP2
L 35	S 30	PN 250	23	59	50	50	55.8	1180332058	24-SW2OS-L35-S30-CP1
L 42	L 22	PN 250	17	54	36	60	55.7	1180152058	24-SW2OS-L42-L22
L 42	L 28	PN 250	22	54	41	60	57.5	1178632058	24-SW2OS-L42-L28-CP2
L 42	L 35	PN 250	28	56.5	50	60	62.5	1178642058	24-SW2OS-L42-L35-CP1
L 42	S 38	PN 250	30	62	60	60	78.3	1180342058	24-SW2OS-L42-S38-CP1
L 42	S 38	PN 250	30	66	60	60	84.1	1178282058	24-SW2OS-L42-S38-CP2
S 8	S 6	PN 800	2.5	34	17	19	5.2	1180162058	24-SW2OS-S8-S6-CP1
S 10	S 6	PN 800	2.5	34.5	17	22	6.2	1180172058	24-SW2OS-S10-S6-CP1
S 10	S 8	PN 800	4	34.5	19	22	6.8	1180182058	24-SW2OS-S10-S8-CP1
S 10	S 8	PN 800	4	41	19	22	7.7	1178492058	24-SW2OS-S10-S8-CP2
S 12	S 10	PN 630	6	38	22	24	9.0	1178502058	24-SW2OS-S12-S10-CP1
S 12	S 6	PN 630	2.5	37.5	17	24	7.6	1180192058	24-SW2OS-S12-S6-CP1
S 12	S 8	PN 630	4	37.5	19	24	8.0	1178742058	24-SW2OS-S12-S8-CP1
S 16	L 15	PN 400	10	41	27	30	16.1	1180352058	24-SW2OS-S16-L15-CP1
S 16	L 15	PN 400	10	45	27	30	16.8	1178292058	24-SW2OS-S16-L15-CP2
S 16	S 10	PN 630	6	41.5	22	30	13.5	1178522058	24-SW2OS-S16-S10-CP1
S 16	S 12	PN 630	8	41.5	24	30	14.1	1178532058	24-SW2OS-S16-S12-CP1
S 20	L 18	PN 400	13	47	32	36	23.9	1180362058	24-SW2OS-S20-L18-CP1
S 20	S 12	PN 420	8	47	24	36	19.8	1180202058	24-SW2OS-S20-S12-CP1
S 20	S 12	PN 420	8	52	24	36	21.4	1178542058	24-SW2OS-S20-S12-CP2
S 20	S 16	PN 420	11	47.5	30	36	23.0	1178552058	24-SW2OS-S20-S16-CP1
S 25	L 18	PN 400	13	47.5	32	46	35.4	1178762058	24-SW2OS-S25-L18-CP1
S 25	L 22	PN 250	17	50.5	36	46	38.9	1180372058	24-SW2OS-S25-L22-CP1
S 25	S 16	PN 420	11	51	30	46	36.2	1178562058	24-SW2OS-S25-S16-CP1
S 25	S 20	PN 420	14	53	36	46	40.2	1178572058	24-SW2OS-S25-S20

Continued on following page

# Swivel reducers

With taper and O-ring  
fit in bore type  
W DIN 3861/ISO 8434-1

Standard O-ring material is FKM



Series Tube OD d1	Series Tube OD d2	Pressure	dy	l1	SW2	SW3	kg/100 ca.	Order-No.	Designation
S 30	L 28	PN 250	22	58	41	50	51.9	1178272058	24-SW2OS-S30-L28-CP1
S 30	S 16	PN 420	11	58	30	50	44.9	1180212058	24-SW2OS-S30-S16-CP1
S 30	S 20	PN 420	14	59	36	50	47.9	1180222058	24-SW2OS-S30-S20-CP1
S 30	S 25	PN 420	18	60.5	46	50	58.9	1180232058	24-SW2OS-S30-S25-CP1
S 30	S 25	PN 420	18	69.5	46	50	65.2	1178582058	24-SW2OS-S30-S25
S 38	L 35	PN 250	28	61.5	50	60	70.3	1178732058	24-SW2OS-S38-L35-CP1
S 38	S 20	PN 420	14	61.5	36	60	62.5	1180242058	24-SW2OS-S38-S20-CP1
S 38	S 25	PN 420	18	63	46	60	72.7	1178592058	24-SW2OS-S38-S25-CP1
S 38	S 30	PN 420	23	66.5	50	60	77.2	1180252058	24-SW2OS-S38-S30
S 38	S 30	PN 420	23	78	50	60	89.1	1178602058	24-SW2OS-S38-S30-CP2