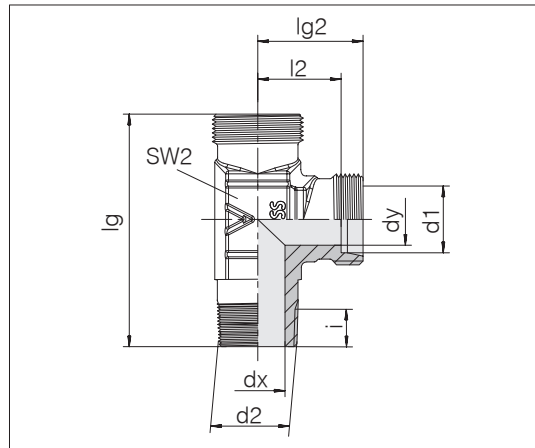


## Male stud run tees

Male thread: BSPT thread, tapered  
 Threaded stud: DIN 3852-2 Form C  
 Sealing type: Tapered thread  
 Sealing material: e.g. PTFE sealing tape

Tube coupling: 24° in acc. with ISO 8434-1



3

Series	d2	Pressure	dx	dy	lg	lg2	l2	SW2	i	kg/100 ca.	Order-No.	Designation	
LL	4	R 1/8	PN 100	4	3	32	15	11	9	6.2	1.3	0723002000	24-SDL-LL4-R1/8T
LL	6	R 1/8	PN 100	4.5	4.5	32	15	9.5	9	6.2	1.2	0723102000	24-SDL-LL6-R1/8T
LL	8	R 1/8	PN 100	6	6	37	17	11.5	12	6.2	2.8	0723152000	24-SDL-LL8-R1/8T-P
L	6	R 1/8	PN 315	4	4	39	19	12	12	6.2	3.7	0724002000	24-SDL-L6-R1/8T-P
L	8	R 1/4	PN 315	6	6	47	21	14	14	9.3	5.6	0724052000	24-SDL-L8-R1/4T-P
L	10	R 1/4	PN 315	7	8	49	22	15	17	9.3	7.3	0724102000	24-SDL-L10-R1/4T-P
L	12	R 3/8	PN 315	9	10	52	24	17	19	9.3	9.8	0724152000	24-SDL-L12-R3/8T-P
L	15	R 1/2	PN 315	11	12	62	28	21	19	14	11.7	0724202000	24-SDL-L15-R1/2T
L	18	R 1/2	PN 315	14	15	67	31	23.5	24	10.4	15.7	0724252000	24-SDL-L18-R1/2T
S	6	R 1/4	PB 630	4	4	49	23	16	14	9.3	12.1	0724502000	24-SDL-S6-R1/4T-P
S	8	R 1/4	PB 630	5	5	51	24	17	17	9.3	9.0	0724552000	24-SDL-S8-R1/4T-P
S	10	R 3/8	PB 630	7	7	53	25	17.5	19	9.3	11.9	0724602000	24-SDL-S10-R3/8T-P
S	12	R 3/8	PB 630	8	8	57	29	21.5	22	9.3	16.2	0724652000	24-SDL-S12-R3/8T-P
S	14	R 1/2	PB 630	10	10	62	30	22	19	10.4	13.7	0724702000	24-SDL-S14-R1/2T
S	16	R 1/2	PB 400	12	12	65	33	24.5	24	10.4	16.5	0724752000	24-SDL-S16-R1/2T

Operating pressure PB 630 only applies if holes with female conical threads are available.

Threaded stud in acc. with DIN 3852-2 Form C are approved for use for gas supply in accordance with DIN 3387-1.

Example for comp. :  
 LE06LRX  
 DIN 2353-ABL6-St

