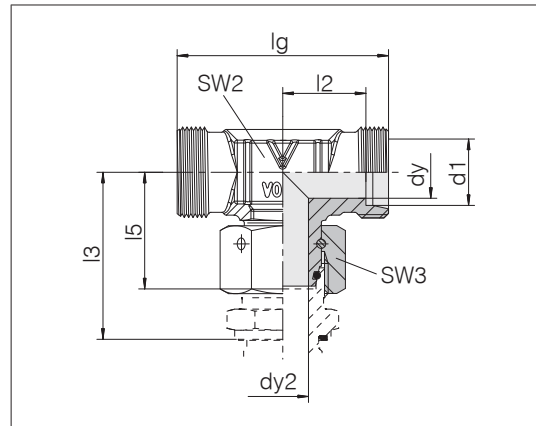


Swivel branch tees

With taper and O-ring

Standard material of O-rings is FKM

Tube coupling: 24° in acc. with ISO 8434-1



Series	Tube OD	Pressure	dy	dy2	lg	l2	l3	l5	SW2	SW3	kg/100 ca.	Order-No.	Designation
L	6	PN 500	4	2.5	38	12	34.5	26	12	14	4.9	1160032058	24-SWOT-L6-P
L	8	PN 500	6	4	42	14	37.5	27.5	14	17	6.9	1160082058	24-SWOT-L8-P
L	10	PN 500	8	6	44	15	40	29	14	19	9.2	1160132058	24-SWOT-L10
L	12	PN 400	10	8	48	17	42	29.5	19	22	12.0	1160182058	24-SWOT-L12-P
L	15	PN 400	12	10	56	21	46	32.5	19	27	15.4	1160232058	24-SWOT-L15
L	18	PN 400	15	13	62	23.5	50	35.5	24	32	21.5	1160282058	24-SWOT-L18
L	22	PN 250	19	17	70	27.5	55	38.5	27	36	27.7	1160332058	24-SWOT-L22
L	28	PN 250	24	22	76	30.5	59	41.5	36	41	39.7	1160382058	24-SWOT-L28
L	35	PN 250	30	28	90	34.5	68.5	51	41	50	68.0	1160432058	24-SWOT-L35
L	42	PN 250	36	34	102	40	75	56	50	60	113.8	1160482058	24-SWOT-L42
S	6	PN 800	4	2.5	46	16	40	27	14	17	7.7	1160532058	24-SWOT-S6-P
S	8	PN 800	5	4	48	17	42.5	27.5	17	19	10.5	1160582058	24-SWOT-S8-P
S	10	PN 800	7	6	50	17.5	45	30	19	22	14.0	1160632058	24-SWOT-S10-P
S	12	PN 630	8	8	58	21.5	48	31	17	24	13.5	1160682058	24-SWOT-S12
S	14	PN 630	10	9	60	22	54	35	19	27	18.1	1160732058	24-SWOT-S14
S	16	PN 630	12	11	66	24.5	55	36.5	24	30	24.6	1160782058	24-SWOT-S16
S	20	PN 420	16	14	74	26.5	65	44.5	27	36	35.6	1160832058	24-SWOT-S20
S	25	PN 420	20	18	84	30	73	50	36	46	63.7	1160882058	24-SWOT-S25
S	30	PN 420	25	23	98	35.5	78.5	55	41	50	91.6	1160932058	24-SWOT-S30
S	38	PN 420	32	30	114	41	89	63	50	60	147.8	1160982058	24-SWOT-S38

Example for comp. :
ET06LVITOMD
ISO 8434-1-SWOBT-L6-St

