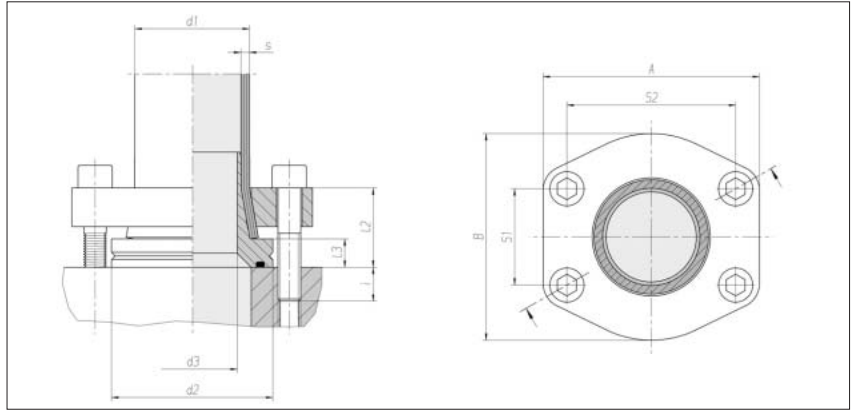


Tube-to-port flange couplings ZAKO system Low Pressure

Hole pattern according to
SAE J 518 C / ISO 6162-1

Max. permissible operating
pressure (PB) 60 bar



Flange size NW	Tube d1 x s	d2	d3	l2 approx.	l3	S1	S2	A	B	i	4 x cheese head screw*	Nm**	kg/100 approx.	Order No.
1 1/2"	48.3 x 3.2	63	39	35	10	35.7	69.9	94	83	15.5	M 12 x 50	85	82.6	0 5 18 60 20 00
1 1/2"	48.3 x 4	63	36.5	35	10	35.7	69.9	94	83	15.5	M 12 x 50	85	85.1	0 5 18 62 20 00
2"	60.3 x 3.6	72	49	42	15	42.9	77.8	102	97	18	M 12 x 60	85	109.8	0 5 18 80 20 00
2 1/2"	60.3 x 3.6	85	49	42	15	50.8	88.9	114	109	18	M 12 x 60	85	161.8	0 5 18 64 20 00
2 1/2"	60.3 x 4.5	85	47.5	42	15	50.8	88.9	114	109	18	M 12 x 60	85	149.5	0 5 18 66 20 00
3"	76.1 x 3.6	100	65.5	50	16	61.9	106.4	135	131	20	M 16 x 70	210	262.2	0 5 18 68 20 00
3"	76.1 x 4.5	100	63.5	50	16	61.9	106.4	135	131	20	M 16 x 70	210	216.8	0 5 18 70 20 00
3 1/2"	88.9 x 3.6	114	78	56	20	69.9	120.7	152	140	19	M 16 x 75	210	341.0	0 5 18 72 20 00
3 1/2"	88.9 x 5	114	74.5	56	20	69.9	120.7	152	140	19	M 16 x 75	210	347.2	0 5 18 74 20 00
5"	114.3 x 3.6	150	103	57	20	92.1	152.4	184	181	18.5	M 16 x 75	210	525.1	0 5 18 76 20 00
5"	114.3 x 6.3	150	96	57	20	92.1	152.4	184	181	18.5	M 16 x 75	210	548.7	0 5 18 78 20 00

* Screws according to DIN 912,
property class 8.8

** Recommended tightening torque
(Nm max.) at friction coefficient
 μ total: 0,14