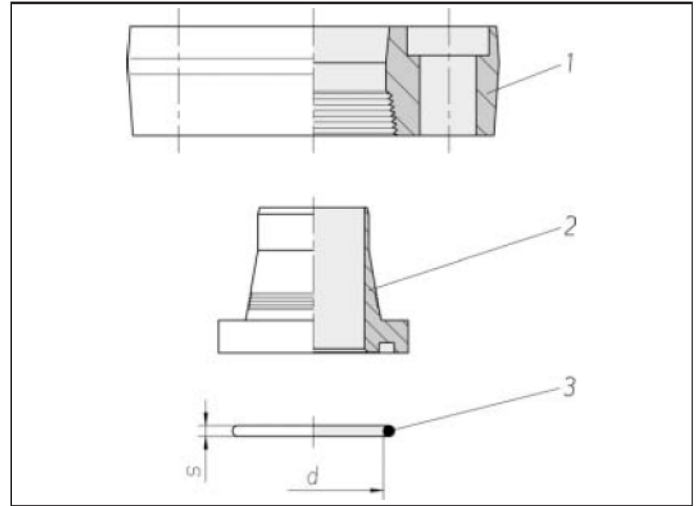


Tube-to-port flange couplings ZAKO system Component parts

Hole pattern according to
SAE J 518 C / ISO 6162
High-pressure series
(6000 psi)

Max. permissible operating
pressure (PB) 400 bar



Flange size	Tube d1 x s	kg/100 approx.	Order No. Part 1	kg/100 approx.	Order No. Part 2 ¹⁾	O-ring d x s	Order No. Part 3
1/2"	16 x 2	26.1	0 5 10 20 19 00*	4.1	0 0 36 00 99 00**	18.6 x 3.5	0 9 06 74 99 90
1/2"	16 x 2.5	26.1	0 5 10 20 19 00	4.1	0 0 36 02 99 00	18.6 x 3.5	0 9 06 74 99 90
1/2"	16 x 3	26.1	0 5 10 20 19 00	4.1	0 0 36 04 99 00	18.6 x 3.5	0 9 06 74 99 90
3/4"	20 x 2.5	49.4	0 5 10 21 19 00	6.5	0 0 36 06 99 00	25 x 3.5	0 9 06 71 99 90
3/4"	20 x 3	49.4	0 5 10 21 19 00	6.6	0 0 36 08 99 00	25 x 3.5	0 9 06 71 99 90
3/4"	20 x 3.5	49.4	0 5 10 21 19 00	6.9	0 0 36 10 99 00	25 x 3.5	0 9 06 71 99 90
3/4"	25 x 3	45.5	0 5 10 22 19 00	6.9	0 0 36 12 99 00	25 x 3.5	0 9 06 71 99 90
3/4"	25 x 4	45.5	0 5 10 22 19 00	7.2	0 0 36 14 99 00	25 x 3.5	0 9 06 71 99 90
1"	30 x 4	68.7	0 5 10 23 19 00	10.3	0 0 36 16 99 00	32.9 x 3.5	0 9 06 72 99 90
1"	30 x 5	68.7	0 5 10 23 19 00	11.5	0 0 36 18 99 00	32.9 x 3.5	0 9 06 72 99 90
1"	38 x 5	59.6	0 5 10 24 19 00	11.7	0 0 36 20 99 00	32.9 x 3.5	0 9 06 72 99 90
1 1/4"	38 x 4	86.1	0 5 10 25 19 00	14.5	0 0 36 22 99 00	37.7 x 3.5	0 9 06 73 99 90
1 1/4"	38 x 5	86.1	0 5 10 25 19 00	15.0	0 0 36 24 99 00	37.7 x 3.5	0 9 06 73 99 90
1 1/4"	38 x 6	86.1	0 5 10 25 19 00	15.1	0 0 36 26 99 00	37.7 x 3.5	0 9 06 73 99 90
1 1/2"	50 x 5	154.0	0 5 10 28 19 00	28.1	0 0 36 30 99 00	47.2 x 3.5	0 9 06 54 99 90
1 1/2"	50 x 6	154.0	0 5 10 28 19 00	28.0	0 0 36 32 99 00	47.2 x 3.5	0 9 06 54 99 90
1 1/2"	50 x 8	154.0	0 5 10 28 19 00	31.3	0 0 36 34 99 00	47.2 x 3.5	0 9 06 54 99 90
1 1/2"	50 x 9	154.0	0 5 10 28 19 00	31.0	0 0 36 36 99 00	47.2 x 3.5	0 9 06 54 99 90
2"	50 x 5	304.0	0 5 10 32 19 00	28.1	0 0 36 30 99 00	47.2 x 3.5	0 9 06 54 99 90
2"	50 x 6	304.0	0 5 10 32 19 00	28.0	0 0 36 32 99 00	47.2 x 3.5	0 9 06 54 99 90
2"	50 x 8	304.0	0 5 10 32 19 00	31.3	0 0 36 34 99 00	47.2 x 3.5	0 9 06 54 99 90
2"	50 x 9	304.0	0 5 10 32 19 00	31.0	0 0 36 36 99 00	47.2 x 3.5	0 9 06 54 99 90
2"	65 x 8	248.3	0 5 10 30 19 00	47.1	0 0 36 44 99 00	56.7 x 3.5	0 9 06 55 99 90

When selecting the tube dimensions,
refer to the pressure specifications of
the tube manufacturer.

¹⁾ Complete with O-ring
(supplied as separate part)

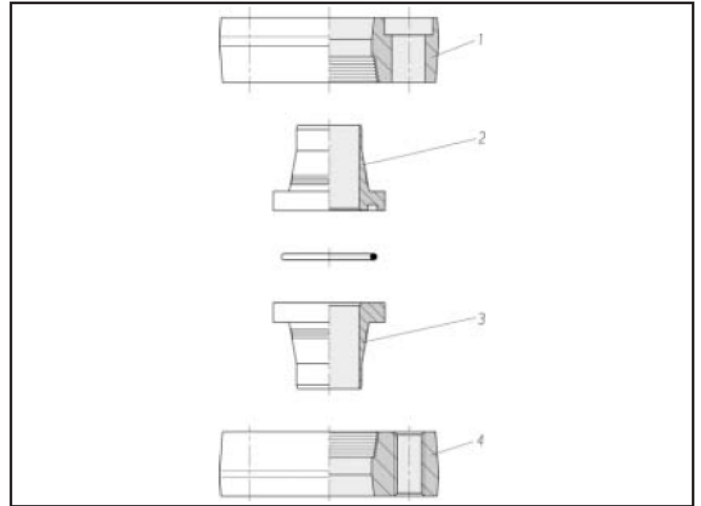
Sample product code, see:
* FE-1600-8/6
** K-1620-8



Tube-to-tube flange couplings ZAKO system Component parts

Hole pattern according to
SAE J 518 C / ISO 6162
High-pressure series
(6000 psi)

Max. permissible operating
pressure (PB) 400 bar



Flange size	Tube d1 x s	kg/100 approx.	Order No. Part 1	kg/100 approx.	Order No. Part 2 ¹⁾	kg/100 approx.	Order No. Part 3	kg/100 approx.	Order No. Part 4
1/2"	16 x 2	26.1	0 5 10 20 19 00**	4.1	0 0 36 00 99 00**	3.3	0 0 36 01 19 00**	28.5	0 5 10 70 19 00**
1/2"	16 x 2.5	26.1	0 5 10 20 19 00	4.1	0 0 36 02 99 00	3.4	0 0 36 03 19 00	28.5	0 5 10 70 19 00
1/2"	16 x 3	26.1	0 5 10 20 19 00	4.1	0 0 36 04 99 00	3.5	0 0 36 05 19 00	28.5	0 5 10 70 19 00
3/4"	20 x 2.5	49.4	0 5 10 21 19 00	6.5	0 0 36 06 99 00	5.3	0 0 36 07 19 00	55.7	0 5 10 71 19 00
3/4"	20 x 3	49.4	0 5 10 21 19 00	6.6	0 0 36 08 99 00	5.7	0 0 36 09 19 00	55.7	0 5 10 71 19 00
3/4"	20 x 3.5	49.4	0 5 10 21 19 00	6.9	0 0 36 10 99 00	5.7	0 0 36 11 19 00	55.7	0 5 10 71 19 00
3/4"	25 x 3	45.5	0 5 10 22 19 00	6.9	0 0 36 12 99 00	5.6	0 0 36 13 19 00	52.6	0 5 10 72 19 00
3/4"	25 x 4	45.5	0 5 10 22 19 00	7.2	0 0 36 14 99 00	5.9	0 0 36 15 19 00	52.6	0 5 10 72 19 00
1"	30 x 4	68.7	0 5 10 23 19 00	10.3	0 0 36 16 99 00	8.8	0 0 36 17 19 00	82.0	0 5 10 73 19 00
1"	30 x 5	68.7	0 5 10 23 19 00	11.5	0 0 36 18 99 00	9.9	0 0 36 19 19 00	82.0	0 5 10 73 19 00
1 1/4"	38 x 4	86.1	0 5 10 25 19 00	14.5	0 0 36 22 99 00	13.9	0 0 36 23 19 00	100.5	0 5 10 75 19 00
1 1/4"	38 x 5	86.1	0 5 10 25 19 00	15.0	0 0 36 24 99 00	13.6	0 0 36 25 19 00	100.5	0 5 10 75 19 00
1 1/4"	38 x 6	86.1	0 5 10 25 19 00	15.1	0 0 36 26 99 00	13.5	0 0 36 27 19 00	100.5	0 5 10 75 19 00
1 1/2"	50 x 5	154.0	0 5 10 28 19 00	28.1	0 0 36 30 99 00	24.9	0 0 36 31 19 00	177.2	0 5 10 76 19 00
1 1/2"	50 x 6	154.0	0 5 10 28 19 00	28.0	0 0 36 32 99 00	24.4	0 0 36 33 19 00	177.2	0 5 10 76 19 00
1 1/2"	50 x 8	154.0	0 5 10 28 19 00	31.3	0 0 36 34 99 00	27.4	0 0 36 35 19 00	177.2	0 5 10 76 19 00
1 1/2"	50 x 9	154.0	0 5 10 28 19 00	31.0	0 0 36 36 99 00	27.1	0 0 36 37 19 00	177.2	0 5 10 76 19 00
2"	65 x 8	230.0	0 5 10 30 19 00	47.1	0 0 36 44 99 00	42.6	0 0 36 45 19 00	253.1	0 5 10 77 19 00

When selecting the tube dimensions,
refer to the pressure specifications of
the tube manufacturer.

¹⁾ Complete with O-ring
(supplied as separate part)

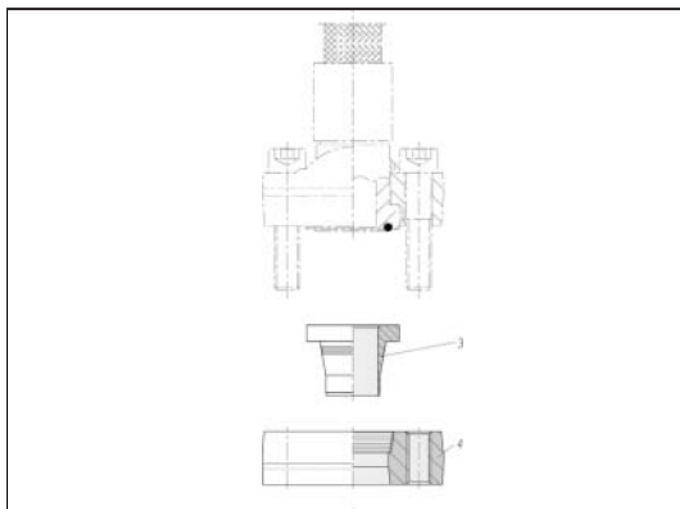
** Sample product code, see:
(Part 1 to Part 4)
FE-1600-8/6

K-1620-8
KO-1620-8
FV-1600-8/6

Tube-to-hose flange couplings ZAKO system Component parts

Hole pattern according to
SAE J 518 C / ISO 6162
High-pressure series
(6000 psi)

Max. permissible operating
pressure (PB) 400 bar



Flange size	Tube d1 x s	kg/100 approx.	Order No. Part 3	kg/100 approx.	Order No. Part 4
1/2"	16 x 2	3.3	0 0 36 01 19 00*	28.5	0 5 10 70 19 00**
1/2"	16 x 2.5	3.4	0 0 36 03 19 00	28.5	0 5 10 70 19 00
1/2"	16 x 3	3.5	0 0 36 05 19 00	28.5	0 5 10 70 19 00
3/4"	20 x 2.5	5.3	0 0 36 07 19 00	55.7	0 5 10 71 19 00
3/4"	20 x 3	5.7	0 0 36 09 19 00	55.7	0 5 10 71 19 00
3/4"	20 x 3.5	5.7	0 0 36 11 19 00	55.7	0 5 10 71 19 00
3/4"	25 x 3	5.6	0 0 36 13 19 00	52.6	0 5 10 72 19 00
3/4"	25 x 4	5.9	0 0 36 15 19 00	52.6	0 5 10 72 19 00
1"	30 x 4	8.8	0 0 36 17 19 00	82.0	0 5 10 73 19 00
1"	30 x 5	9.8	0 0 36 19 19 00	82.0	0 5 10 73 19 00
1"	38 x 5	11.0	0 0 36 21 19 00	70.1	0 5 10 74 19 00
1 1/4"	38 x 4	13.8	0 0 36 23 19 00	100.5	0 5 10 75 19 00
1 1/4"	38 x 5	13.6	0 0 36 25 19 00	100.5	0 5 10 75 19 00
1 1/4"	38 x 6	13.5	0 0 36 27 19 00	100.5	0 5 10 75 19 00
1 1/2"	50 x 6	24.4	0 0 36 33 19 00	177.2	0 5 10 76 19 00
1 1/2"	50 x 8	27.4	0 0 36 35 19 00	177.2	0 5 10 76 19 00
1 1/2"	50 x 9	27.1	0 0 36 37 19 00	177.2	0 5 10 76 19 00
2"	65 x 8	42.6	0 0 36 45 19 00	253.1	0 5 10 77 19 00

When selecting the tube dimensions,
refer to the pressure specifications of
the tube manufacturer.

Sample product code, see:

* KO-1620-8

** FV-1600-8/6