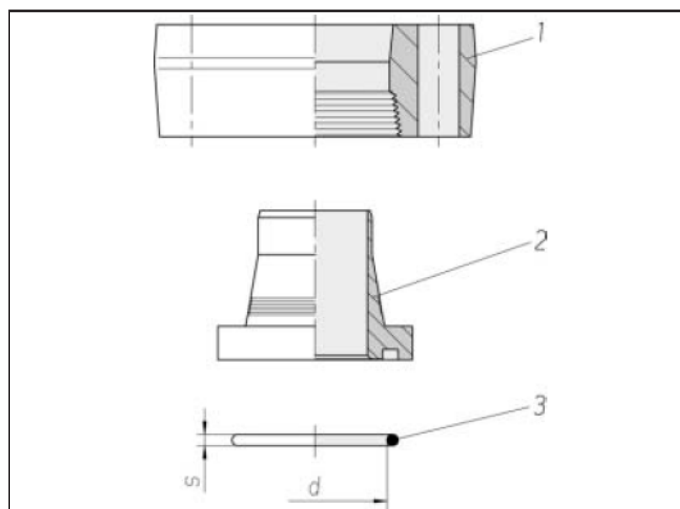


# Tube-to-port flange couplings ZAKO system Component parts

Hole pattern according to  
SAE J 518 C / ISO 6162  
Standard series  
(3000 psi)

Max. permissible operating  
pressure (PB) 250 bar



Flange size	Tube d1 x s	kg/100 approx.	Order No. Part 1	kg/100 approx.	Order No. Part 2 <sup>1)</sup>	O-ring d x s	Order No. Part 3
1/2"	16 x 2	30.6	0 5 10 00 19 00*	4.1	0 0 36 00 99 00**	18.6 x 3.5	0 9 06 74 99 90
1/2"	16 x 2.5	30.6	0 5 10 00 19 00	4.1	0 0 36 02 99 00	18.6 x 3.5	0 9 06 74 99 90
1/2"	16 x 3	30.6	0 5 10 00 19 00	4.1	0 0 36 04 99 00	18.6 x 3.5	0 9 06 74 99 90
3/4"	20 x 2.5	33.7	0 5 10 01 19 00	6.5	0 0 36 06 99 00	25 x 3.5	0 9 06 71 99 90
3/4"	20 x 3	33.7	0 5 10 01 19 00	6.6	0 0 36 08 99 00	25 x 3.5	0 9 06 71 99 90
3/4"	20 x 3.5	33.7	0 5 10 01 19 00	6.9	0 0 36 10 99 00	25 x 3.5	0 9 06 71 99 90
3/4"	25 x 3	45.5	0 5 10 02 19 00	6.9	0 0 36 12 99 00	25 x 3.5	0 9 06 71 99 90
3/4"	25 x 4	45.5	0 5 10 02 19 00	7.2	0 0 36 14 99 00	25 x 3.5	0 9 06 71 99 90
1"	25 x 3	45.5	0 5 10 04 19 00	6.9	0 0 36 12 99 00	25 x 3.5	0 9 06 71 99 90
1"	25 x 4	45.5	0 5 10 04 19 00	7.2	0 0 36 14 99 00	25 x 3.5	0 9 06 71 99 90
1"	30 x 4	54.1	0 5 10 05 19 00	10.3	0 0 36 16 99 00	32.9 x 3.5	0 9 06 72 99 90
1"	30 x 5	54.1	0 5 10 05 19 00	11.5	0 0 36 18 99 00	32.9 x 3.5	0 9 06 72 99 90
1"	38 x 5	54.1	0 5 10 06 19 00	11.6	0 0 36 20 99 00	32.9 x 3.5	0 9 06 72 99 90
1 1/4"	30 x 4	69.8	0 5 10 08 19 00	10.3	0 0 36 16 99 00	32.9 x 3.5	0 9 06 72 99 90
1 1/4"	30 x 5	69.8	0 5 10 08 19 00	11.5	0 0 36 18 99 00	32.9 x 3.5	0 9 06 72 99 90
1 1/4"	38 x 4	66.8	0 5 10 10 19 00	14.5	0 0 36 22 99 00	37.7 x 3.5	0 9 06 73 99 90
1 1/4"	38 x 5	66.8	0 5 10 10 19 00	15.0	0 0 36 24 99 00	37.7 x 3.5	0 9 06 73 99 90
1 1/4"	38 x 6	66.8	0 5 10 10 19 00	15.2	0 0 36 26 99 00	37.7 x 3.5	0 9 06 73 99 90
1 1/4"	42 x 2	65.8	0 5 10 16 19 00	15.9	0 0 36 60 99 00	37.7 x 3.5	0 9 06 73 99 90

Continuation on page 247

When selecting the tube dimensions,  
refer to the pressure specifications of  
the tube manufacturer.

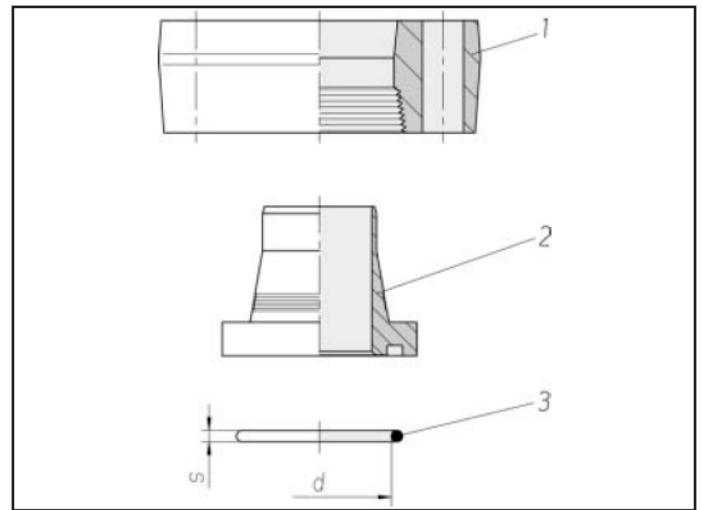
<sup>1)</sup> Complete with O-ring  
(unmounted)

Sample product code, see:  
\* FE-1600-8/3  
\*\* K-1620-8

## Tube-to-port flange couplings ZAKO system Component parts

Hole pattern according to  
SAE J 518 C / ISO 6162  
Standard series  
(3000 psi)

Max. permissible operating  
pressure (PB) 250 bar<sup>2)</sup>



Flange size	Tube d1 x s	kg/100 approx.	Order No. Part 1	kg/100 approx.	Order No. Part 2 <sup>1)</sup>	O-ring d x s	Order No. Part 3
1 1/2"	50 x 2.5	83.3	0 5 10 11 19 00*	27.6	0 0 36 28 99 00**	47.2 x 3.5	0 9 06 54 99 90
1 1/2"	50 x 5	83.3	0 5 10 11 19 00	28.1	0 0 36 30 99 00	47.2 x 3.5	0 9 06 54 99 90
1 1/2"	50 x 6	83.3	0 5 10 11 19 00	28.0	0 0 36 32 99 00	47.2 x 3.5	0 9 06 54 99 90
1 1/2"	50 x 8	83.3	0 5 10 11 19 00	31.3	0 0 36 34 99 00	47.2 x 3.5	0 9 06 54 99 90
1 1/2"	50 x 9	83.3	0 5 10 11 19 00	31.0	0 0 36 36 99 00	47.2 x 3.5	0 9 06 54 99 90
2"	50 x 2.5	136.1	0 5 10 15 19 00	27.6	0 0 36 28 99 00	47.2 x 3.5	0 9 06 54 99 90
2"	50 x 5	136.1	0 5 10 15 19 00	28.1	0 0 36 30 99 00	47.2 x 3.5	0 9 06 54 99 90
2"	50 x 6	136.1	0 5 10 15 19 00	28.0	0 0 36 32 99 00	47.2 x 3.5	0 9 06 54 99 90
2"	50 x 8	136.1	0 5 10 15 19 00	31.3	0 0 36 34 99 00	47.2 x 3.5	0 9 06 54 99 90
2"	50 x 9	136.1	0 5 10 15 19 00	31.0	0 0 36 36 99 00	47.2 x 3.5	0 9 06 54 99 90
2"	65 x 3	123.4	0 5 10 12 19 00	35.2	0 0 36 38 99 00	60 x 3.5	0 9 07 54 99 90
2"	65 x 4	123.4	0 5 10 12 19 00	28.8	0 0 36 40 99 00	60 x 3.5	0 9 07 54 99 90
2"	65 x 5	123.4	0 5 10 12 19 00	32.6	0 0 36 42 99 00	56.7 x 3.5	0 9 06 55 99 90
3"	80 x 3	250.7	0 5 10 14 19 00	86.9	0 0 36 48 99 00	85.3 x 3.5	0 9 06 85 99 90

When selecting the tube dimensions,  
refer to the pressure specifications of  
the tube manufacturer.

<sup>1)</sup> Complete with O-ring  
(unmounted)

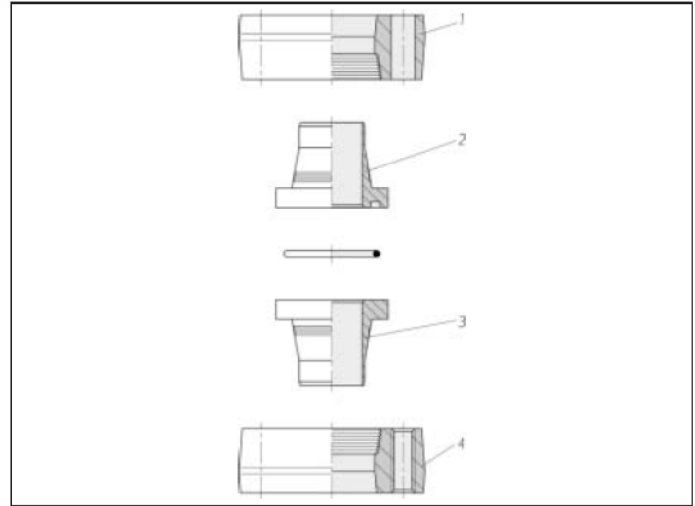
<sup>2)</sup> According to the ASME Code, a  
reduced operating pressure applies  
for the flange sizes 2" and 3"

Sample product code, see:  
\* FE-5000-24/3  
\*\* K-5025-24

# Tube-to-tube flange couplings ZAKO system Component parts

Hole pattern according to  
SAE J 518 C / ISO 6162  
Standard series  
(3000 psi)

Max. permissible operating  
pressure (PB) 250 bar<sup>2)</sup>



Flange size	Tube d1 x s	kg/100 approx.	Order No. Part 1	kg/100 approx.	Order No. Part 2 <sup>1)</sup>	kg/100 approx.	Order No. Part 3	kg/100 approx.	Order No. Part 4
1/2"	16 x 2	30.6	0 5 10 00 19 00**	4.1	0 0 36 00 99 00**	3.3	0 0 36 01 19 00**	28.6	0 5 10 50 19 00**
1/2"	16 x 2.5	30.6	0 5 10 00 19 00	4.1	0 0 36 02 99 00	3.4	0 0 36 03 19 00	28.6	0 5 10 50 19 00
1/2"	16 x 3	30.6	0 5 10 00 19 00	4.1	0 0 36 04 99 00	3.5	0 0 36 05 19 00	28.6	0 5 10 50 19 00
3/4"	20 x 2.5	33.7	0 5 10 01 19 00	6.5	0 0 36 06 99 00	5.3	0 0 36 07 19 00	34.0	0 5 10 51 19 00
3/4"	20 x 3	33.7	0 5 10 01 19 00	6.6	0 0 36 08 99 00	5.7	0 0 36 09 19 00	34.0	0 5 10 51 19 00
3/4"	20 x 3.5	33.7	0 5 10 01 19 00	6.9	0 0 36 10 99 00	5.7	0 0 36 11 19 00	34.0	0 5 10 51 19 00
3/4"	25 x 3	45.5	0 5 10 02 19 00	6.9	0 0 36 12 99 00	5.6	0 0 36 13 19 00	30.8	0 5 10 52 19 00
3/4"	25 x 4	45.5	0 5 10 02 19 00	7.2	0 0 36 14 99 00	5.9	0 0 36 15 19 00	30.8	0 5 10 52 19 00
1"	30 x 4	54.1	0 5 10 05 19 00	10.3	0 0 36 16 99 00	8.8	0 0 36 17 19 00	57.7	0 5 10 55 19 00
1"	30 x 5	54.1	0 5 10 05 19 00	11.5	0 0 36 18 99 00	9.9	0 0 36 19 19 00	57.7	0 5 10 55 19 00
1 1/4"	38 x 4	66.8	0 5 10 10 19 00	14.5	0 0 36 22 99 00	13.9	0 0 36 23 19 00	73.4	0 5 10 57 19 00
1 1/4"	38 x 5	66.8	0 5 10 10 19 00	15.0	0 0 36 24 99 00	13.7	0 0 36 25 19 00	73.4	0 5 10 57 19 00
1 1/4"	38 x 6	66.8	0 5 10 10 19 00	15.2	0 0 36 26 99 00	13.6	0 0 36 27 19 00	73.4	0 5 10 57 19 00
1 1/4"	42 x 2	46.0	0 5 10 16 19 00	16.0	0 0 36 60 99 00	15.0	0 0 36 61 19 00	48.0	0 5 10 63 19 00
1 1/2"	50 x 2.5	83.3	0 5 10 11 19 00	27.6	0 0 36 28 99 00	24.9	0 0 36 29 19 00	90.0	0 5 10 58 19 00
1 1/2"	50 x 5	83.3	0 5 10 11 19 00	28.1	0 0 36 30 99 00	24.9	0 0 36 31 19 00	90.0	0 5 10 58 19 00
1 1/2"	50 x 6	83.3	0 5 10 11 19 00	28.0	0 0 36 32 99 00	24.4	0 0 36 33 19 00	90.0	0 5 10 58 19 00
1 1/2"	50 x 8	83.3	0 5 10 11 19 00	31.3	0 0 36 34 99 00	27.4	0 0 36 35 19 00	90.0	0 5 10 58 19 00
1 1/2"	50 x 9	83.3	0 5 10 11 19 00	31.0	0 0 36 36 99 00	27.1	0 0 36 37 19 00	90.0	0 5 10 58 19 00
2"	65 x 3	123.4	0 5 10 12 19 00	35.2	0 0 36 38 99 00	32.4	0 0 36 39 19 00	129.4	0 5 10 59 19 00
2"	65 x 4	123.4	0 5 10 12 19 00	28.8	0 0 36 40 99 00	26.9	0 0 36 41 19 00	129.4	0 5 10 59 19 00
2"	65 x 5	123.4	0 5 10 12 19 00	32.6	0 0 36 42 99 00	32.0	0 0 36 43 19 00	129.4	0 5 10 59 19 00
3"	80 x 3	250.7	0 5 10 14 19 00	86.9	0 0 36 48 99 00	79.8	0 0 36 49 19 00	257.9	0 5 10 61 19 00

When selecting the tube dimensions,  
refer to the pressure specifications of  
the tube manufacturer.

<sup>2)</sup> According to the ASME Code,  
a reduced operating pressure  
applies for the flange sizes 2" and 3"

<sup>1)</sup> Complete with O-ring  
(supplied as separate part)

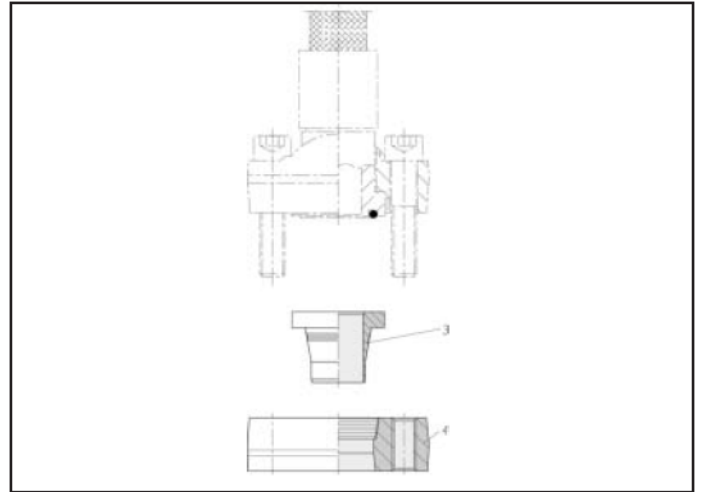
\*\* Sample product code, see:  
(Part 1 to Part 4)  
FE-1600-8/3  
K-1620-8  
KO-1620-8  
FV-1600 8/3



## Tube-to-hose flange couplings ZAKO system Component parts

Hole pattern according to  
SAE J 518 C / ISO 6162  
Standard series  
(3000 psi)

Max. permissible operating  
pressure (PB) 250 bar<sup>1)</sup>



Flange size	Tube d1 x s	kg/100 approx.	Order No. Part 3	kg/100 approx.	Order No. Part 4
1/2"	16 x 2	3.3	0 0 36 01 19 00*	28.6	0 5 10 50 19 00**
1/2"	16 x 2.5	3.4	0 0 36 03 19 00	28.6	0 5 10 50 19 00
1/2"	16 x 3	3.5	0 0 36 05 19 00	28.6	0 5 10 50 19 00
3/4"	20 x 2.5	5.3	0 0 36 07 19 00	34.0	0 5 10 51 19 00
3/4"	20 x 3	5.7	0 0 36 09 19 00	34.0	0 5 10 51 19 00
3/4"	20 x 3.5	5.7	0 0 36 11 19 00	34.0	0 5 10 51 19 00
3/4"	25 x 3	5.6	0 0 36 13 19 00	30.8	0 5 10 52 19 00
3/4"	25 x 4	5.9	0 0 36 15 19 00	30.8	0 5 10 52 19 00
1"	30 x 4	8.8	0 0 36 17 19 00	57.7	0 5 10 55 19 00
1"	30 x 5	9.9	0 0 36 19 19 00	57.7	0 5 10 55 19 00
1 1/4"	30 x 4	8.8	0 0 36 17 19 00	75.5	0 5 10 62 19 00
1 1/4"	30 x 5	9.9	0 0 36 19 19 00	75.5	0 5 10 62 19 00
1 1/4"	38 x 4	13.9	0 0 36 23 19 00	73.4	0 5 10 57 19 00
1 1/4"	38 x 5	13.7	0 0 36 25 19 00	73.4	0 5 10 57 19 00
1 1/4"	38 x 6	13.6	0 0 36 27 19 00	73.4	0 5 10 57 19 00
1 1/4"	42 x 2	16.0	0 0 36 61 19 00	48.0	0 5 10 63 19 00
1 1/2"	50 x 2.5	24.9	0 0 36 29 19 00	90.0	0 5 10 58 19 00
1 1/2"	50 x 5	24.9	0 0 36 31 19 00	90.0	0 5 10 58 19 00
1 1/2"	50 x 6	24.4	0 0 36 33 19 00	90.0	0 5 10 58 19 00
1 1/2"	50 x 8	27.4	0 0 36 35 19 00	90.0	0 5 10 58 19 00
1 1/2"	50 x 9	27.1	0 0 36 37 19 00	90.0	0 5 10 58 19 00
2"	65 x 3	32.4	0 0 36 39 19 00	129.4	0 5 10 59 19 00
2"	65 x 4	26.9	0 0 36 41 19 00	129.4	0 5 10 59 19 00
2"	65 x 5	32.0	0 0 36 43 19 00	129.4	0 5 10 59 19 00
3"	80 x 3	79.8	0 0 36 49 19 00	257.9	0 5 10 61 19 00

When selecting the tube dimensions,  
refer to the pressure specifications of  
the tube manufacturer.

<sup>1)</sup> According to the ASME Code,  
a reduced operating pressure  
applies for the flange sizes 2" and 3"

Sample product code, see:  
\* KO-1620-8  
\*\* FV-1600-8/3