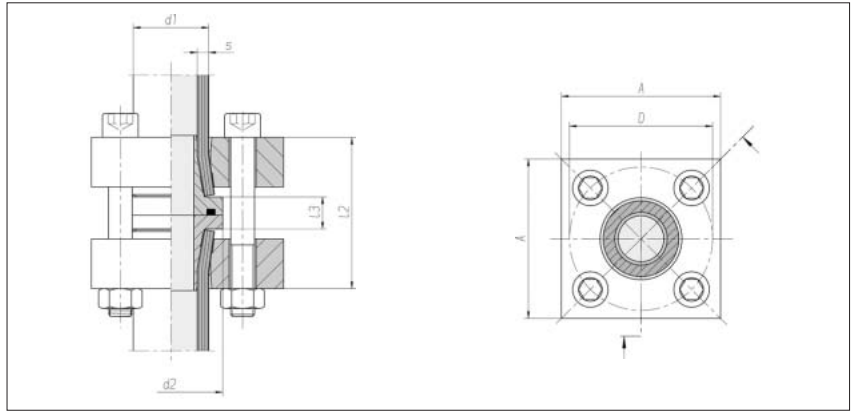


Tube-to-tube flange couplings ZAKO system

VOSS square
flange hole pattern
High-pressure series

Max. permissible operating
pressure (PB) 400 bar¹⁾



Flange size NW	Tube d1 x s	d2	l2 approx.	l3	D	A	4 x cheese head screw	Nm*	kg/100 approx.	Order No. complete	Order No. ***
12	16 x 2	30	53.5	13.5	42	50	M 8 x 65	35	81.2	0 5 15 30 19 00**	0 5 15 30 19 86
11	16 x 2.5	30	53.5	13.5	42	50	M 8 x 65	35	81.3	0 5 14 60 19 00	0 5 14 60 19 86
10	16 x 3	30	53.5	13.5	42	50	M 8 x 65	35	81.4	0 5 14 61 19 00	0 5 14 61 19 86
15	20 x 2.5	38	61.5	13.5	50	55	M 10 x 75	69	106.3	0 5 15 31 19 00	0 5 15 31 19 86
14	20 x 3	38	61.5	13.5	50	55	M 10 x 75	69	106.8	0 5 14 62 19 00	0 5 14 62 19 86
13	20 x 3.5	38	61.5	13.5	50	55	M 10 x 75	69	107.1	0 5 14 63 19 00	0 5 14 63 19 86
19	25 x 3	38	62	14	50	55	M 10 x 75	69	126.6	0 5 14 64 19 00	0 5 14 64 19 86
17	25 x 4	38	62	14	50	55	M 10 x 75	69	127.3	0 5 14 65 19 00	0 5 14 65 19 86
22	30 x 4	46	72.5	14.5	62	65	M 12 x 90	120	168.0	0 5 14 66 19 00	0 5 14 66 19 86
20	30 x 5	46	72.5	14.5	62	65	M 12 x 90	120	170.4	0 5 14 67 19 00	0 5 14 67 19 86
30	38 x 4	52	76	16	72	80	M 12 x 90 ¹⁾	120	243.1	0 5 15 32 19 00	0 5 15 32 19 86
28	38 x 5	52	76	16	72	80	M 12 x 90 ¹⁾	120	243.4	0 5 14 68 19 00	0 5 14 68 19 86
26	38 x 6	52	76	16	72	80	M 12 x 90 ¹⁾	120	243.5	0 5 14 69 19 00	0 5 14 69 19 86
45	50 x 2.5	63	109	17	85	85	M 14 x 120	190	379.3	0 5 15 10 19 00	0 5 15 10 19 86
40	50 x 5	63	109	17	85	85	M 14 x 120	190	379.8	0 5 15 38 19 00	0 5 15 38 19 86
38	50 x 6	63	109	17	85	85	M 14 x 120	190	379.3	0 5 15 39 19 00	0 5 15 39 19 86
34	50 x 8	63	109	17	85	85	M 14 x 120	190	385.5	0 5 15 11 19 00	0 5 15 11 19 86
32	50 x 9	63	109	17	85	85	M 14 x 120	190	385.9	0 5 15 40 19 00	0 5 15 40 19 86

Continuation on page 243

When selecting the tube dimensions,
refer to the pressure specifications of
the tube manufacturer.

¹⁾ Triple safety

* Recommended tightening torques
(Nm max.) at 10.9

** Sample product code, see:
FG-1620

*** without screws