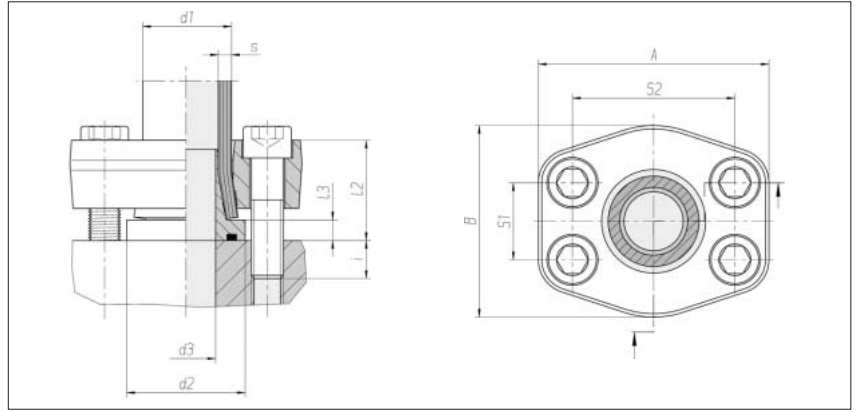


Tube-to-port flange couplings ZAKO system

Hole pattern according to
SAE J 518 C / ISO 6162
High-pressure series
(6000 psi)

Max. permissible operating
pressure (PB) 400 bar



Flange size	Tube d1 x s	d2	d3	l2 approx.	l3 approx.	S1	S2	A	B	i approx.	4 x cheese head screw	Nm*	kg/100 approx.	Order No. complete	Order No. ***
1/2"	16 x 2	30	10.5	32	8	18.3	40.5	56	48	12	M 8 x 40	35	38.6	0 5 13 52 19 00**	0 5 13 52 19 86
1/2"	16 x 2.5	30	9.5	32	8	18.3	40.5	56	48	12	M 8 x 40	35	38.6	0 5 13 30 19 00	0 5 13 30 19 86
1/2"	16 x 3	30	8.5	32	8	18.3	40.5	56	48	12	M 8 x 40	35	38.6	0 5 13 31 19 00	0 5 13 31 19 86
3/4"	20 x 2.5	38	13.5	37	8	23.9	50.8	71	60	13	M 10 x 40	69	69.2	0 5 13 53 19 00	0 5 13 53 19 86
3/4"	20 x 3	38	12.5	37	8	23.9	50.8	71	60	13	M 10 x 40	69	69.3	0 5 13 32 19 00	0 5 13 32 19 86
3/4"	20 x 3.5	38	11	37	8	23.9	50.8	71	60	13	M 10 x 40	69	69.6	0 5 13 33 19 00	0 5 13 33 19 86
3/4"	25 x 3	38	17	37.5	8.5	23.9	50.8	71	60	14.5	M 10 x 40	69	65.6	0 5 13 34 19 00	0 5 13 34 19 86
3/4"	25 x 4	38	15	37.5	8.5	23.9	50.8	71	60	14.5	M 10 x 40	69	66.0	0 5 13 35 19 00	0 5 13 35 19 86
1"	30 x 4	46	20	42.5	8.5	27.8	57.2	81	70	14.5	M 12 x 40	120	97.6	0 5 13 36 19 00	0 5 13 36 19 86
1"	30 x 5	46	17	42.5	8.5	27.8	57.2	81	70	14.5	M 12 x 40	120	98.7	0 5 13 37 19 00	0 5 13 37 19 86
1 1/4"	38 x 4	52	28	44	9	31.7	66.7	95	78	17.1	M 14 x 45	190	127.2	0 5 13 55 19 00	0 5 13 55 19 86
1 1/4"	38 x 5	52	26	44	9	31.7	66.7	95	78	17.1	M 14 x 45	190	127.0	0 5 13 38 19 00	0 5 13 38 19 86
1 1/4"	38 x 6	52	23	44	9	31.7	66.7	95	78	17.1	M 14 x 45	190	140.3	0 5 13 39 19 00	0 5 13 39 19 86
1 1/2"	50 x 5	63	37	56.5	10	36.5	79.4	113	95	22	M 16 x 60	295	230.8	0 5 13 56 19 00	0 5 13 56 19 86
1 1/2"	50 x 6	63	35	56.5	10	36.5	79.4	113	95	22	M 16 x 60	295	230.7	0 5 13 40 19 00	0 5 13 40 19 86
1 1/2"	50 x 8	63	31	56.5	10	36.5	79.4	113	95	22	M 16 x 60	295	233.1	0 5 13 41 19 00	0 5 13 41 19 86
2"	65 x 8	75	46	65	11	44.5	96.8	133	114	30	M 20 x 90	580	383.5	0 5 13 42 19 00	0 5 13 42 19 86

When selecting the tube dimensions, refer to the pressure specifications of the tube manufacturer.

* Recommended tightening torques (Nm max.) at 10.9

** Sample product code, see: FE-1620-8/6

*** without screws