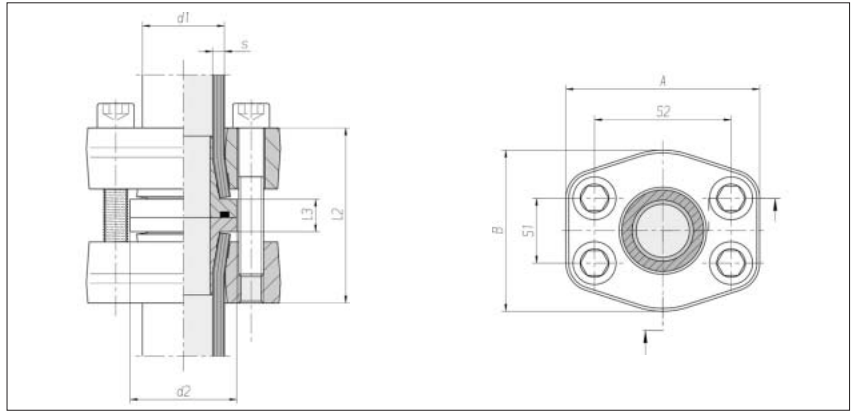


# Tube-to-tube flange couplings ZAKO system

Hole pattern according to  
SAE J 518 C / ISO 6162  
Standard series  
(3000 psi)

Max. permissible operating  
pressure (PB) 250 bar<sup>1)</sup>



Flange size	Tube d1 x s	d2	l2 approx.	l3	S1	S2	A	B	4 x cheese head screw	Nm*	kg/100 approx.	Order No. complete	Order No. ***
1/2"	16 x 2	30	61.5	13.5	17.5	38.1	55	45	M 8 x 55	35	77.5	0 5 14 00 19 00**	0 5 14 00 19 86
1/2"	16 x 2.5	30	61.5	13.5	17.5	38.1	55	45	M 8 x 55	35	77.5	0 5 14 01 19 00	0 5 14 01 19 86
1/2"	16 x 3	30	61.5	13.5	17.5	38.1	55	45	M 8 x 55	35	77.5	0 5 14 80 19 00	0 5 14 80 19 86
3/4"	20 x 2.5	38	61.5	13.5	22.2	47.6	65	50	M 10 x 55	69	96.6	0 5 14 02 19 00	0 5 14 02 19 86
3/4"	20 x 3	38	61.5	13.5	22.2	47.6	65	50	M 10 x 55	69	97.0	0 5 14 03 19 00	0 5 14 03 19 86
3/4"	20 x 3.5	38	61.5	13.5	22.2	47.6	65	50	M 10 x 55	69	97.4	0 5 14 81 19 00	0 5 14 81 19 86
3/4"	25 x 3	38	62	14	22.2	47.6	65	50	M 10 x 55	69	106.0	0 5 14 04 19 00	0 5 14 04 19 86
3/4"	25 x 4	38	62	14	22.2	47.6	65	50	M 10 x 55	69	106.4	0 5 14 82 19 00	0 5 14 82 19 86
1"	30 x 4	46	82.5	14.5	26.2	52.4	72	60	M 10 x 60	69	149.0	0 5 14 05 19 00	0 5 14 05 19 86
1"	30 x 5	46	82.5	14.5	26.2	52.4	72	60	M 10 x 60	69	151.2	0 5 14 85 19 00	0 5 14 85 19 86
1 1/4"	38 x 4	52	86	16	30.2	58.7	79	73	M 12 x 75	120	198.6	0 5 14 06 19 00	0 5 14 06 19 86
1 1/4"	38 x 5	52	86	16	30.2	58.7	79	73	M 12 x 75	120	197.1	0 5 14 07 19 00	0 5 14 07 19 86
1 1/4"	38 x 6	52	86	16	30.2	58.7	79	73	M 12 x 75	120	197.0	0 5 14 89 19 00	0 5 14 89 19 86
1 1/2"	50 x 2.5	63	89	17	35.7	69.9	94	83	M 12 x 75	120	255.8	0 5 14 08 19 00	0 5 14 08 19 86
1 1/2"	50 x 5	63	89	17	35.7	69.9	94	83	M 12 x 75	120	256.3	0 5 14 09 19 00	0 5 14 09 19 86
1 1/2"	50 x 6	63	89	17	35.7	69.9	94	83	M 12 x 75	120	255.8	0 5 14 10 19 00	0 5 14 10 19 86
1 1/2"	50 x 8	63	89	17	35.7	69.9	94	83	M 12 x 75	120	256.8	0 5 14 90 19 00	0 5 14 90 19 86
1 1/2"	50 x 9	63	89	17	35.7	69.9	94	83	M 12 x 75	120	257.1	0 5 14 91 19 00	0 5 14 91 19 86
2"	65 x 3	75	117	19	42.9	77.8	102	97	M 12 x 100	120	359.6	0 5 14 11 19 00	0 5 14 11 19 86
2"	65 x 4	75	117	19	42.9	77.8	102	97	M 12 x 100	120	353.2	0 5 14 12 19 00	0 5 14 12 19 86
2"	65 x 5	75	117	19	42.9	77.8	102	97	M 12 x 100	120	357.1	0 5 14 13 19 00	0 5 14 13 19 86
3"	80 x 3	100	129	29	61.9	106.4	135	131	M 16 x 110	295	756.0	0 5 14 14 19 00	0 5 14 14 19 86

When selecting the tube dimensions, refer to the pressure specifications of the tube manufacturer.

<sup>1)</sup> According to the ASME Code, a reduced operating pressure applies for the flange sizes 2" and 3"

\* Recommended tightening torques (Nm max.) at 10.9

\*\* Sample product code, see: FG-1620-8/3  
\*\*\* without screws