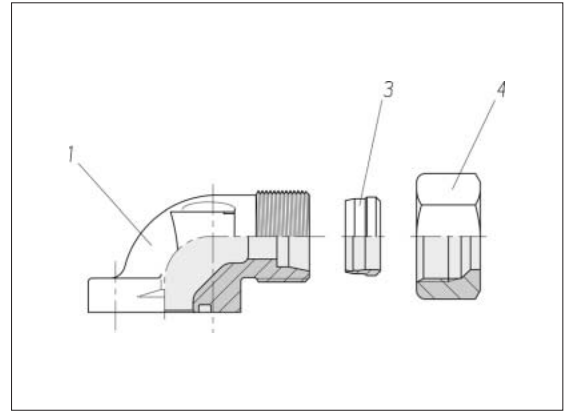


Raccordi a flangia a gomito Parti singole

con attacco ad anello
tagliante e flangia quadrata



Serie Tubo Ø est.	PB	Cerchio fori Ø	kg/100 ca.	Codice-Nr. Pezzo 1	Codice-Nr. Pezzo 3	Codice-Nr. Pezzo 4
L 10	315	35	14,2	0 7 95 42 20 00*	0 0 10 10 20 00	0 0 04 10 21 00
L 12	315	35	15,7	0 7 95 62 20 00	0 0 10 15 20 00	0 0 04 15 21 00
L 15	250	35	15,0	0 7 95 63 20 00	0 0 10 20 20 00	0 0 04 20 21 00
L 15	100	40	20,1	0 7 95 64 20 00	0 0 10 20 20 00	0 0 04 20 21 00
L 18	100	35	17,9	0 7 95 45 20 00	0 0 10 25 20 00	0 0 04 25 21 00
L 18	100	40	16,9	0 7 95 43 20 00	0 0 10 25 20 00	0 0 04 25 21 00
L 22	100	40	17,7	0 7 95 44 20 00	0 0 10 30 20 00	0 0 04 30 21 00
L 28	100	40	26,0	0 7 95 15 20 00	0 0 10 35 20 00	0 0 04 35 21 00
L 35	100	40	32,2	0 7 95 27 20 00	0 0 10 40 20 00	0 0 04 40 21 00
L 35	100	55	46,6	0 7 95 17 20 00	0 0 10 40 20 00	0 0 04 40 21 00
S 12	315	35	27,1	0 7 95 88 20 00	0 0 10 15 20 00	0 0 04 65 21 00
S 16	315	35	17,3	0 7 95 25 20 00	0 0 10 75 20 00	0 0 04 75 21 00
S 20	315	35	22,3	0 7 95 11 20 00	0 0 10 80 20 00	0 0 04 80 21 00
S 20	250	55	44,9	0 7 95 18 20 00	0 0 10 80 20 00	0 0 04 80 21 00
S 20	250	40	20,2	0 7 95 13 20 00	0 0 10 80 20 00	0 0 04 80 21 00
S 25	250	55	49,1	0 7 95 89 20 00	0 0 10 85 20 00	0 0 04 85 21 00
S 30	250	55	49,8	0 7 95 24 20 00	0 0 10 90 20 00	0 0 04 90 21 00

* Esempio confr.:
BFW10L/LK35OMD