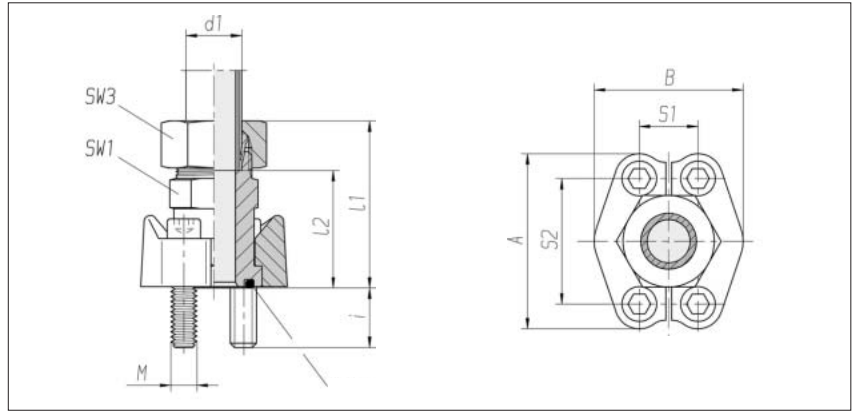


## Straight flange couplings

With cutting-ring connection and divided SAE flange  
 Hole pattern according to SAE J 518 C / ISO 6162  
 High-pressure series (6000 psi)



Flange size	Series Tube OD d1	PB	SW1	SW3	I1	I2 approx.	S1	S2	A	B	i	4 x cheese head screw DIN 912-8.8	O-ring	Nm*	Order No. complete	Order No. **
3/4"	S 16	400	30	30	69	50.5	23.8	50.8	71	60	16	M 10 x 35	25 x 3.53	50	0 3 05 24 20 81***	0 3 05 24 20 07
3/4"	S 20	400	30	36	72	50.5	23.8	50.8	71	60	16	M 10 x 35	25 x 3.53	50	0 3 05 25 20 81	0 3 05 25 20 07
3/4"	S 25	400	30	46	75	51	23.8	50.8	71	60	16	M 10 x 35	25 x 3.53	50	0 3 05 26 20 81	0 3 05 26 20 07
1"	S 25	400	36	46	84	60	27.8	57.2	81	70	21	M 12 x 45	32.92 x 3.53	85	0 3 05 27 20 81	0 3 05 27 20 07
1"	S 30	400	36	50	87	60.5	27.8	57.2	81	70	21	M 12 x 45	32.92 x 3.53	85	0 3 05 28 20 81	0 3 05 28 20 07
1 1/4"	S 30	400	41	50	92	65.5	31.8	66.7	95	78	23	M 14 x 50	37.7 x 3.53	135	0 3 05 30 20 81	0 3 05 30 20 07
1 1/4"	S 38	315	46	60	98	67	31.8	66.7	95	78	23	M 14 x 50	37.7 x 3.53	135	0 3 05 32 20 81	0 3 05 32 20 07
1 1/2"	S 38	315	46	60	104	73	36.5	79.4	113	95	25	M 16 x 55	47.22 x 3.53	210	0 3 05 34 20 81	0 3 05 34 20 07

\* Nm = Recommended tightening torques for cheese head screws M10 - 16 with friction value  $\mu$  total 0.14

\*\* With union nut and 2S cutting ring

\*\*\* Sample product code, see: GFS63/16S