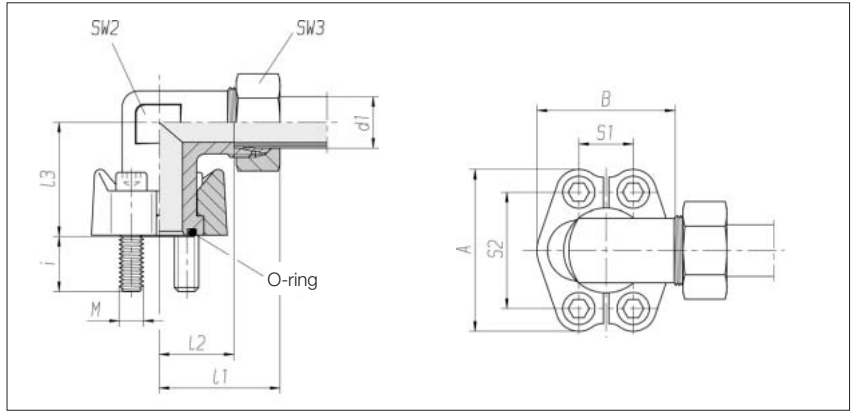


Elbow flange couplings

With cutting-ring connection and divided SAE flange
Hole pattern according to SAEJ 518 C / ISO 6162
Standard series (3000 psi)



Flange size	Series Tube OD d1	PB	SW2	SW3	I1	I2	I3	S1	S2	A	B	i	4 x cheese head screw DIN 912-8.8	O-ring	Nm*	Order No. complete	Order No. **
3/4"	L 18	315	30	32	48	31.5	42	22.2	47.6	65	52	16	M 10 x 30	25 x 3.53	50	0 3 05 12 20 81***	0 3 05 12 20 07
3/4"	L 22	160	30	36	50	33.5	42	22.2	47.6	65	52	16	M 10 x 30	25 x 3.53	50	0 3 05 13 20 81	0 3 05 13 20 07
1"	L 28	160	36	41	53	36.5	45	26.2	52.4	70	59	14	M 10 x 30	32.92 x 3.53	50	0 3 05 14 20 81	0 3 05 14 20 07
1 1/4"	L 35	160	41	50	68	46.5	50	30.2	58.7	79	73	24	M 12 x 40	37.7 x 3.53	85	0 3 05 15 20 81	0 3 05 15 20 07
1 1/4"	L 35	160	41	50	68	46.5	50	30.2	58.7	79	73	14	M 10 x 30	37.7 x 3.53	50	On request	On request
1 1/2"	L 42	160	50	60	77	56	76	35.7	69.9	94	83	19	M 12 x 35	47.22 x 3.53	85	0 3 05 16 20 81	0 3 05 16 20 07
3/4"	S 20	350	30	36	54	32.5	42	22.2	47.6	65	52	16	M 10 x 30	25 x 3.53	50	0 3 05 17 20 81	0 3 05 17 20 07
3/4"	S 25	350	30	46	57	33	42	22.2	47.6	65	52	16	M 10 x 30	25 x 3.53	50	0 3 05 18 20 81	0 3 05 18 20 07
1"	S 30	350	36	50	63	36.5	45	26.2	52.4	70	59	14	M 10 x 30	32.92 x 3.53	50	0 3 05 20 20 81	0 3 05 20 20 07
1 1/4"	S 25	280	41	46	67	43	50	30.2	58.7	79	73	24	M 12 x 40	37.7 x 3.53	85	0 3 05 19 20 81	0 3 05 19 20 07
1 1/4"	S 25	280	41	46	67	43	50	30.2	58.7	79	73	14	M 10 x 30	37.7 x 3.53	50	On request	On request
1 1/4"	S 30	280	41	50	70	43.5	50	30.2	58.7	79	73	24	M 12 x 40	37.7 x 3.53	85	0 3 05 21 20 81	0 3 05 21 20 07
1 1/4"	S 30	280	41	50	70	43.5	50	30.2	58.7	79	73	14	M 10 x 30	37.7 x 3.53	50	On request	On request
1 1/4"	S 38	280	41	60	74	43	50	30.2	58.7	79	73	24	M 12 x 40	37.7 x 3.53	85	0 3 05 22 20 81	0 3 05 22 20 07
1 1/4"	S 38	280	41	60	74	43	50	30.2	58.7	79	73	14	M 10 x 30	37.7 x 3.53	50	On request	On request
1 1/2"	S 38	210	50	60	87	56	76	35.7	69.9	94	83	19	M 12 x 35	47.22 x 3.53	85	0 3 05 23 20 81	0 3 05 23 20 07

* Nm = Recommended tightening torques for cheese head screws M10/12 with friction value μ total 0,14

** With union nut and 2S cutting ring

*** Sample product code, see: WFS33/18L