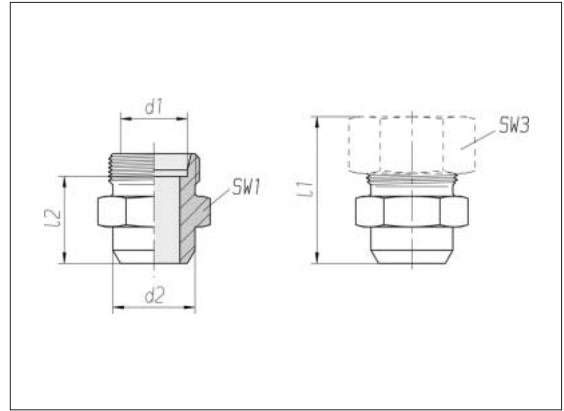


Welding bosses



Series	Pressure	d2	SW1	SW3	l1* approx.	l2	kg/100 approx.	Order No. Single component	Order No. **
L 6	PN 315	10	12	14	29	14	1.0	0 7 39 00 00 00***	0 1 39 00 00 XX
L 8	PN 315	12	14	17	31	16	1.5	0 7 39 05 00 00	0 1 39 05 00 XX
L 10	PN 315	14	17	19	33	18	2.1	0 7 39 10 00 00	0 1 39 10 00 XX
L 12	PN 315	16	19	22	33	18	2.6	0 7 39 15 00 00	0 1 39 15 00 XX
L 15	PN 315	19	22	27	37	22	4.3	0 7 39 20 00 00	0 1 39 20 00 XX
L 18	PN 315	22	27	32	40	23.5	6.6	0 7 39 25 00 00	0 1 39 25 00 XX
L 22	PN 160	27	32	36	45	28.5	9.7	0 7 39 30 00 00	0 1 39 30 00 XX
L 28	PN 160	32	41	41	47	30.5	15.9	0 7 39 35 00 00	0 1 39 35 00 XX
L 35	PN 160	40	46	50	54	32.5	22.8	0 7 39 40 00 00	0 1 39 40 00 XX
L 42	PN 160	46	55	60	58	35	32.8	0 7 39 45 00 00	0 1 39 45 00 XX
S 6	PN 630	11	14	17	34	19	2.1	0 7 39 50 00 00	0 1 39 50 00 XX
S 8	PN 630	13	17	19	36	21	3.0	0 7 39 55 00 00	0 1 39 55 00 XX
S 10	PN 630	15	19	22	39	22.5	4.0	0 7 39 60 00 00	0 1 39 60 00 XX
S 12	PN 630	17	22	24	41	24.5	5.5	0 7 39 65 00 00	0 1 39 65 00 XX
S 14	PN 630	19	24	27	45	27	7.0	0 7 39 70 00 00	0 1 39 70 00 XX
S 16	PN 400	21	27	30	45	26.5	8.3	0 7 39 75 00 00	0 1 39 75 00 XX
S 20	PN 400	26	32	36	51	29.5	12.9	0 7 39 80 00 00	0 1 39 80 00 XX
S 25	PN 400	31	41	46	56	32	22.2	0 7 39 85 00 00	0 1 39 85 00 XX
S 30	PN 400	36	46	50	62	35.5	29.5	0 7 39 90 00 00	0 1 39 90 00 XX
S 38	PN 315	44	55	60	69	38	45.5	0 7 39 95 00 00	0 1 39 95 00 XX

Supplementary to Order No. for complete fitting tube connection		Supplementary to Order No.
2S		07
ES-4		09
BV-10		Refer to the front page

* Apply to complete fittings with 2S or ES-4 tube connection components.
For BV-10 Refer to the front page.

** With union nut and 2S, ES-4 or BV-10 tube connection components

*** Sample product code, see:
AS06LX
ISO 8434-1-WDS-L6-St