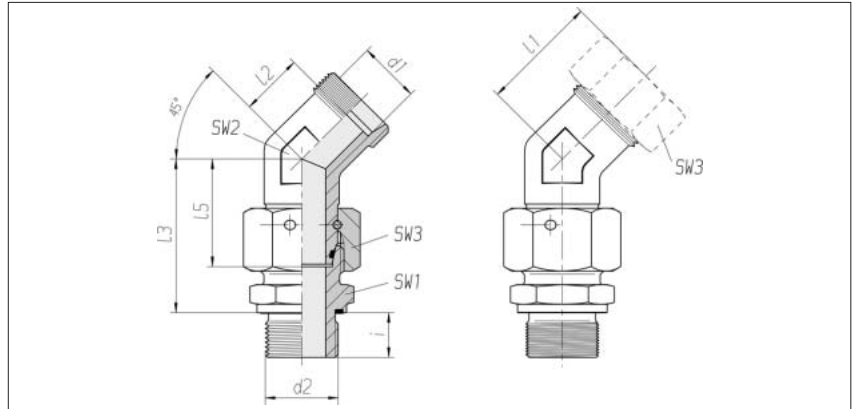


Adjustable 45° stud elbows

With taper and O-ring
Cutting ring connection
at tube end

Thread:
metric fine thread,
straight

Sealed with PEFLEX seal



Series	Pressure	d2	SW1	SW2	SW3	l1* approx.	l2	l3	l5	i	kg/100 approx.	Order No. Single component	Order No. **
Tube OD d1													
L 6	PN 315	M 10 x 1	14	19	14	29	14	34.5	26	8	***	1 1 70 01 20 00****	1 1 70 00 20 XX
L 8	PN 315	M 12 x 1.5	17	19	17	30	15	37.5	27.5	12	***	1 1 70 06 20 00	1 1 70 05 20 XX
L 10	PN 315	M 14 x 1.5	19	19	19	31	16	40	29	12	***	1 1 70 11 20 00	1 1 70 10 20 XX
L 12	PN 315	M 16 x 1.5	22	19	22	32	17	42	29.5	12	***	1 1 70 16 20 00	1 1 70 15 20 XX
L 15	PN 315	M 18 x 1.5	24	19	27	32	17	46	32.5	12	***	1 1 70 21 20 00	1 1 70 20 20 XX
L 18	PN 315	M 22 x 1.5	27	24	32	35.5	19	50	35.5	14	***	1 1 70 26 20 00	1 1 70 25 20 XX
L 22	PN 160	M 26 x 1.5	32	27	36	39	22.5	55	38.5	16	***	1 1 70 31 20 00	1 1 70 30 20 XX
L 28	PN 160	M 33 x 2	41	36	41	41	24.5	59	41.5	18	***	1 1 70 36 20 00	1 1 70 35 20 XX
L 35	PN 160	M 42 x 2	50	41	50	48.5	27	68.5	51	20	***	1 1 70 41 20 00	1 1 70 40 20 XX
L 42	PN 160	M 48 x 2	55	50	60	49	26	75	56	22	***	1 1 70 46 20 00	1 1 70 45 20 XX
S 6	PN 630	M 12 x 1.5	17	19	17	31	16	40	27	12	***	1 1 70 51 20 00	1 1 70 50 20 XX
S 8	PN 630	M 14 x 1.5	19	19	19	31	16	42.5	27.5	12	***	1 1 70 56 20 00	1 1 70 55 20 XX
S 10	PN 630	M 16 x 1.5	22	19	22	33	16.5	45	30	12	***	1 1 70 61 20 00	1 1 70 60 20 XX
S 12	PN 630	M 18 x 1.5	24	19	24	33.5	17	48	31	12	***	1 1 70 66 20 00	1 1 70 65 20 XX
S 14	PN 630	M 20 x 1.5	27	19	27	35	17	54	35	14	***	1 1 70 71 20 00	1 1 70 70 20 XX
S 16	PN 400	M 22 x 1.5	27	24	30	37.5	19	55	36.5	14	***	1 1 70 76 20 00	1 1 70 75 20 XX
S 20	PN 400	M 27 x 2	32	27	36	43	21.5	65	44.5	16	***	1 1 70 81 20 00	1 1 70 80 20 XX
S 25	PN 400	M 33 x 2	41	36	46	47	23	73	50	18	***	1 1 70 86 20 00	1 1 70 85 20 XX
S 30	PN 400	M 42 x 2	50	41	50	50.5	24	78.5	55	20	***	1 1 70 91 20 00	1 1 70 90 20 XX
S 38	PN 315	M 48 x 2	55	50	60	52	21	89	63	22	***	1 1 70 96 20 00	1 1 70 95 20 XX

Supplementary to Order No. for complete fitting tube connection	Supplementary to Order No.
2S	07
ES-4	09
BV-10	Refer to the front page

* Apply to complete fittings with 2S or ES-4 tube connection components.
For BV-10 Refer to the front page..

** With union nut and 2S, ES-4 or BV-10 tube connection components

*** On request

**** Sample product code, see: EV06LMEDOMD