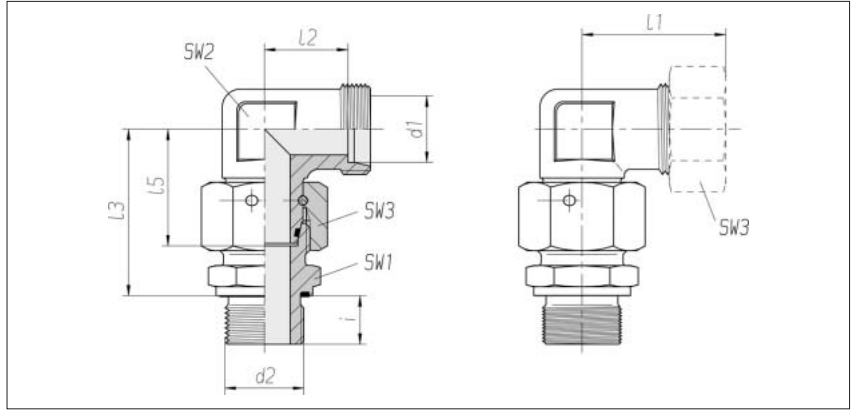


Adjustable stud elbows

With taper and O-ring
Cutting ring connection
at tube end

Thread:
Whitworth pipe thread,
straight

Sealed with PEFLEX seal



Series Tube OD d1	Pressure	d2		SW1	SW2	SW3	l1* approx.	l2	l3	l5	i	kg/100 approx.	Order No. Single component	Order No. **
L 6	PN 500	G 1/8 A		14	12	14	27	12	34.5	26	8	5.5	1 1 59 01 20 00***	1 1 59 00 20 XX
L 8	PN 500	G 1/4 A		19	14	17	29	14	37.5	27.5	12	8.8	1 1 59 06 20 00	1 1 59 05 20 XX
L 10	PN 500	G 1/4 A		19	14	19	30	15	40	29	12	8.3	1 1 59 11 20 00	1 1 59 10 20 XX
L 12	PN 400	G 3/8 A		22	19	22	32	17	42	29.5	12	15.1	1 1 59 16 20 00	1 1 59 15 20 XX
L 15	PN 400	G 1/2 A		27	19	27	36	21	46.5	32.5	14	19.9	1 1 59 21 20 00	1 1 59 20 20 XX
L 18	PN 400	G 1/2 A		27	24	32	40	23.5	50	35.5	14	25.8	1 1 59 26 20 00	1 1 59 25 20 XX
L 22	PN 250	G 3/4 A		32	27	36	44	27.5	55	38.5	16	35.4	1 1 59 31 20 00	1 1 59 30 20 XX
L 28	PN 250	G 1 A		41	36	41	47	30.5	59	41.5	18	51.2	1 1 59 36 20 00	1 1 59 35 20 XX
L 35	PN 250	G 1 1/4 A		50	41	50	56	34.5	68.5	51	20	87.6	1 1 59 41 20 00	1 1 59 40 20 XX
L 42	PN 250	G 1 1/2 A		55	50	60	63	40	75	56	22	127.5	1 1 59 46 20 00	1 1 59 45 20 XX
S 6	PN 800	G 1/4 A		19	14	17	31	16	40	27	12	9.7	1 1 59 51 20 00	1 1 59 50 20 XX
S 8	PN 800	G 1/4 A		19	17	19	32	17	42.5	27.5	12	12.5	1 1 59 56 20 00	1 1 59 55 20 XX
S 10	PN 800	G 3/8 A		22	19	22	34	17.5	45	30	12	11.9	1 1 59 61 20 00	1 1 59 60 20 XX
S 12	PN 630	G 3/8 A		22	17	24	38	21.5	48	31	12	17.0	1 1 59 66 20 00	1 1 59 65 20 XX
S 14	PN 630	G 1/2 A		27	19	27	40	22	54	35	14	14.9	1 1 59 71 20 00	1 1 59 70 20 XX
S 16	PN 630	G 1/2 A		27	24	30	43	22	55	36.5	14	29.0	1 1 59 76 20 00	1 1 59 75 20 XX
S 20	PN 420	G 3/4 A		32	27	36	48	26.5	65	44.5	16	45.0	1 1 59 81 20 00	1 1 59 80 20 XX
S 25	PN 420	G 1 A		41	36	46	54	30	73	50	18	83.8	1 1 59 86 20 00	1 1 59 85 20 XX
S 30	PN 420	G 1 1/4 A		50	41	50	62	35.5	78.5	55	20	118.4	1 1 59 91 20 00	1 1 59 90 20 XX
S 38	PN 420	G 1 1/2 A		55	50	60	72	41	89	63	22	173.8	1 1 59 96 20 00	1 1 59 95 20 XX

Special pressure stages apply in combination with the 2S cutting ring (refer to Page 48)

Supplementary to Order No. for complete fitting	
tube connection	Supplementary to Order No.
2S	07
ES-4	09
BV-10	Refer to the front page

* Apply to complete fittings with 2S or ES-4 tube connection components.
For BV-10 Refer to the front page.

** With union nut and 2S, ES-4 or BV-10 tube connection components

*** Sample product code, see: EW06LREDOMD