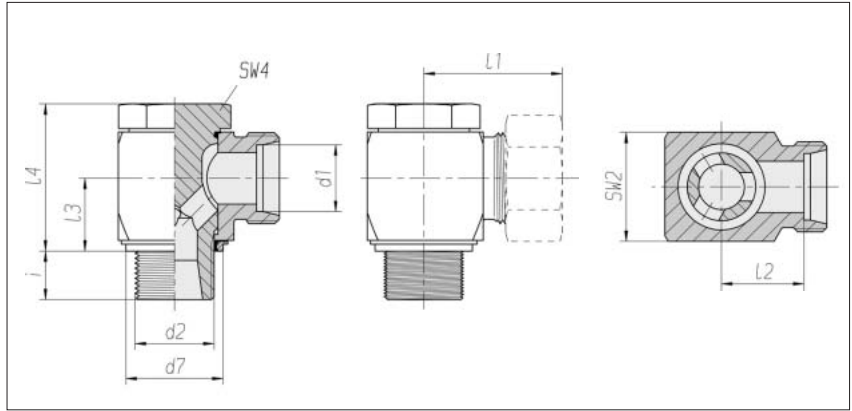


Banjo couplings

Compact version –
high pressure

Thread:
metric fine thread,
straight

With seal-edge ring for
DIN 3852 / ISO 9974
d4 narrow swivel angle



| Series | Pressure | d2 | d7 | SW2 | SW4 | l1* | l2 | l3 | l4 | i | Nm | kg/100 | Order No. | Order No. |
|---------|----------|------------|------|-----|-----|---------|------|------|------|----|-------|---------|------------------|-----------------|
| Tube OD | | | | | | approx. | | | | | -10 % | approx. | Single component | ** |
| d1 | | | | | | | | | | | | | | |
| L 6 | PB 500 | M 10 x 1 | 14.9 | 14 | 14 | 27.5 | 13 | 10 | 21 | 8 | 25 | 3.6 | 1 1 50 20 20 81 | 1 1 50 20 20 XX |
| L 8 | PB 500 | M 12 x 1.5 | 17.9 | 19 | 19 | 28.5 | 14 | 13.5 | 27 | 10 | 50 | 7.5 | 1 1 50 21 20 81 | 1 1 50 21 20 XX |
| L 10 | PB 500 | M 14 x 1.5 | 19.9 | 19 | 19 | 29.5 | 15 | 13.5 | 27 | 10 | 60 | 8.2 | 1 1 50 22 20 81 | 1 1 50 22 20 XX |
| L 12 | PB 400 | M 16 x 1.5 | 21.9 | 24 | 22 | 32 | 17.5 | 16 | 32.5 | 10 | 80 | 12.4 | 1 1 50 23 20 81 | 1 1 50 23 20 XX |
| L 12 | PB 315 | M 18 x 1.5 | 23.9 | 24 | 22 | 34.5 | 20 | 18.5 | 36 | 10 | 100 | 14.2 | 1 1 50 24 20 81 | 1 1 50 24 20 XX |
| L 15 | PB 400 | M 18 x 1.5 | 23.9 | 27 | 24 | 35 | 20 | 18.5 | 37 | 10 | 100 | 19.2 | 1 1 50 25 20 81 | 1 1 50 25 20 XX |
| L 18 | PB 400 | M 22 x 1.5 | 27.9 | 30 | 27 | 36.5 | 20.5 | 21.5 | 43 | 12 | 140 | 27.9 | 1 1 50 26 20 81 | 1 1 50 26 20 XX |
| L 22 | PB 250 | M 26 x 1.5 | 31.9 | 36 | 32 | 43 | 27 | 24 | 48 | 16 | 180 | 42.0 | 1 1 50 27 20 81 | 1 1 50 27 20 XX |
| L 28 | PB 250 | M 33 x 2 | 39.9 | 46 | 41 | 48 | 31.5 | 30.5 | 59 | 18 | 380 | 86.0 | 1 1 50 28 20 81 | 1 1 50 28 20 XX |
| L 35 | PB 250 | M 42 x 2 | 49.9 | 55 | 50 | 57 | 35.5 | 35.5 | 70 | 20 | 500 | 145.7 | 1 1 50 29 20 81 | 1 1 50 29 20 XX |
| L 42 | PB 250 | M 48 x 2 | 55.9 | 65 | 55 | 62.5 | 40 | 40.5 | 80 | 22 | 600 | 219.2 | 1 1 50 30 20 81 | 1 1 50 30 20 XX |
| S 6 | PB 500 | M 12 x 1.5 | 17.9 | 19 | 19 | 30.5 | 16 | 13.5 | 27 | 10 | 50 | 7.9 | 1 1 50 31 20 81 | 1 1 50 31 20 XX |
| S 8 | PB 500 | M 14 x 1.5 | 19.9 | 19 | 19 | 30.5 | 16 | 13.5 | 27 | 10 | 60 | 8.9 | 1 1 50 32 20 81 | 1 1 50 32 20 XX |
| S 10 | PB 500 | M 16 x 1.5 | 21.9 | 24 | 22 | 34 | 18 | 16 | 32.5 | 10 | 80 | 13.1 | 1 1 50 33 20 81 | 1 1 50 33 20 XX |
| S 12 | PB 400 | M 18 x 1.5 | 23.9 | 27 | 24 | 35.5 | 19.5 | 18.5 | 37 | 10 | 110 | 19.5 | 1 1 50 34 20 81 | 1 1 50 34 20 XX |
| S 16 | PB 400 | M 22 x 1.5 | 27.9 | 30 | 27 | 39.5 | 21.5 | 21.5 | 43 | 12 | 140 | 28.2 | 1 1 50 36 20 81 | 1 1 50 36 20 XX |
| S 20 | PB 315 | M 27 x 2 | 32.9 | 36 | 32 | 47.5 | 26 | 24 | 48 | 16 | 300 | 45.4 | 1 1 50 37 20 81 | 1 1 50 37 20 XX |
| S 25 | PB 250 | M 33 x 2 | 39.9 | 46 | 41 | 55 | 31 | 30.5 | 59 | 18 | 380 | 85.9 | 1 1 50 38 20 81 | 1 1 50 38 20 XX |
| S 30 | PB 250 | M 42 x 2 | 49.9 | 55 | 50 | 63 | 36.5 | 35.5 | 70 | 20 | 600 | 144.7 | 1 1 50 39 20 81 | 1 1 50 39 20 XX |
| S 38 | PB 250 | M 48 x 2 | 55.9 | 65 | 55 | 71.5 | 41 | 40.5 | 80 | 22 | 700 | 232.0 | 1 1 50 40 20 81 | 1 1 50 40 20 XX |

| Supplementary to Order No. for complete fitting | |
|---|----------------------------|
| tube connection | Supplementary to Order No. |
| 2S | 07 |
| ES-4 | 09 |
| BV-10 | Refer to the front page |

* Apply to complete fittings with
2S or ES-4 tube connection
components.
For BV-10 Refer to the front page.

** With union nut and 2S, ES-4
or BV-10 tube connection
components