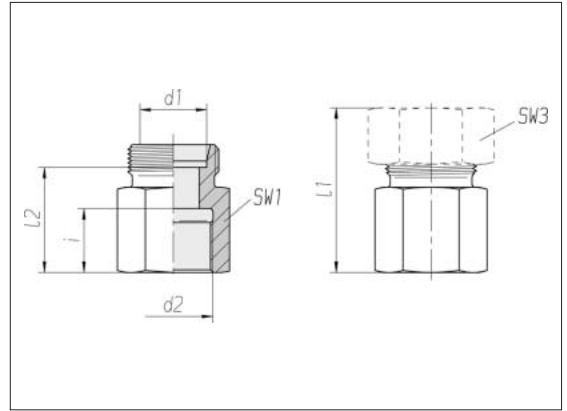


# Straight female stud couplings

Female thread:  
metric fine thread



| Series | Pressure | d2         | SW1 | SW3 | l1*<br>approx. | l2   | i    | kg/100<br>approx. | Order No.<br>Single component | Order No.<br>** |
|--------|----------|------------|-----|-----|----------------|------|------|-------------------|-------------------------------|-----------------|
| L 6    | PN 315   | M 10 x 1   | 14  | 14  | 34.5           | 19.5 | 12.5 | 1.8               | 0 7 43 00 20 00***            | 0 1 43 00 20 XX |
| L 8    | PN 315   | M 10 x 1   | 14  | 17  | 34.5           | 19.5 | 12.5 | 1.8               | 0 7 43 06 20 00               | 0 1 43 06 20 XX |
| L 8    | PN 315   | M 12 x 1.5 | 17  | 17  | 39             | 24   | 17   | 3.1               | 0 7 43 05 20 00               | 0 1 43 05 20 XX |
| L 10   | PN 315   | M 14 x 1.5 | 19  | 19  | 40             | 25   | 17   | 3.7               | 0 7 43 10 20 00               | 0 1 43 10 20 XX |
| L 12   | PN 315   | M 16 x 1.5 | 22  | 22  | 41             | 26   | 17   | 5.1               | 0 7 43 15 20 00               | 0 1 43 15 20 XX |
| L 15   | PN 315   | M 18 x 1.5 | 24  | 27  | 43             | 28   | 17   | 6.5               | 0 7 43 20 20 00               | 0 1 43 20 20 XX |
| L 18   | PN 315   | M 22 x 1.5 | 30  | 32  | 46             | 29.5 | 19   | 10.9              | 0 7 43 25 20 00               | 0 1 43 25 20 XX |
| L 22   | PN 160   | M 26 x 1.5 | 32  | 36  | 51             | 34.5 | 21   | 12.1              | 0 7 43 30 20 00               | 0 1 43 30 20 XX |
| L 28   | PN 160   | M 33 x 2   | 41  | 41  | 54             | 37.5 | 24   | 20.8              | 0 7 43 35 20 00               | 0 1 43 35 20 XX |
| L 35   | PN 160   | M 42 x 2   | 55  | 50  | 62             | 40.5 | 26   | 45.2              | 0 7 43 40 20 00               | 0 1 43 40 20 XX |
| L 42   | PN 160   | M 48 x 2   | 60  | 60  | 65             | 42   | 28   | 51.5              | 0 7 43 45 20 00               | 0 1 43 45 20 XX |
| S 6    | PB 630   | M 10 x 1   | 19  | 17  | 40.5           | 25.5 | 16.5 | 4.8               | 0 7 43 51 20 00               | 0 1 43 51 20 XX |
| S 6    | PB 630   | M 12 x 1.5 | 17  | 17  | 41             | 26   | 17   | 3.0               | 0 7 43 50 20 00               | 0 1 43 50 20 XX |
| S 8    | PB 630   | M 14 x 1.5 | 19  | 19  | 41             | 26   | 17   | 4.2               | 0 7 43 55 20 00               | 0 1 43 55 20 XX |
| S 10   | PB 630   | M 16 x 1.5 | 22  | 22  | 43             | 26.5 | 17   | 5.8               | 0 7 43 60 20 00               | 0 1 43 60 20 XX |
| S 12   | PB 630   | M 18 x 1.5 | 24  | 24  | 44             | 27.5 | 17   | 6.9               | 0 7 43 65 20 00               | 0 1 43 65 20 XX |
| S 14   | PB 630   | M 20 x 1.5 | 27  | 27  | 49             | 31   | 19   | 9.6               | 0 7 43 70 20 00               | 0 1 43 70 20 XX |
| S 16   | PB 400   | M 22 x 1.5 | 30  | 30  | 49             | 30.5 | 19   | 11.5              | 0 7 43 75 20 00               | 0 1 43 75 20 XX |
| S 20   | PB 400   | M 27 x 2   | 36  | 36  | 56             | 34.5 | 22   | 18.6              | 0 7 43 80 20 00               | 0 1 43 80 20 XX |
| S 25   | PB 400   | M 33 x 2   | 41  | 46  | 61             | 37   | 24   | 24.1              | 0 7 43 85 20 00               | 0 1 43 85 20 XX |
| S 30   | PB 400   | M 42 x 2   | 55  | 50  | 68             | 41.5 | 26   | 49.3              | 0 7 43 90 20 00               | 0 1 43 90 20 XX |
| S 38   | PB 315   | M 48 x 2   | 60  | 60  | 74             | 43   | 28   | 60.5              | 0 7 43 95 20 00               | 0 1 43 95 20 XX |

| Supplementary to Order No. for complete fitting<br>tube connection | Supplementary to Order No. |
|--|----------------------------|
| 2S   | 07                         |
| ES-4   | 09                         |
| BV-10  | Refer to the front page    |

\* Apply to complete fittings with 2S or ES-4 tube connection components.  
For BV-10 Refer to the front page.

\*\* With union nut and 2S, ES-4 or BV-10 tube connection components

\*\*\* Sample product code, see: GAI06LMX