

Filter 32

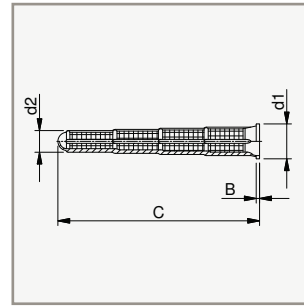
Filter 32

Filter 32

Filtre 32

Filtro 32

Filtro 32



PVC



Art.code	d1	d2	B	C	Quantity
5.30.032	30	23	3	175	400

Funnel

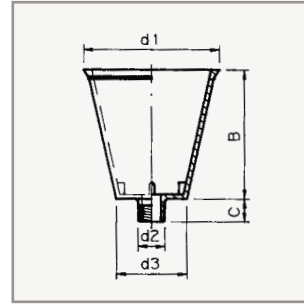
Pomptrechter

Pumpentrichter

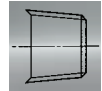
Entonnoir d'amorcage

Embuto pompa

Embudo de bomba



PVC



Art.code	d1	d2	d3	B	C	Quantity
5.35.010	156	3/4"	78	138	27	50
5.35.015	156	1"	78	138	27	40
5.35.020	156	1 1/4"	78	138	27	40