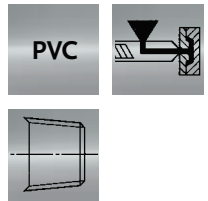
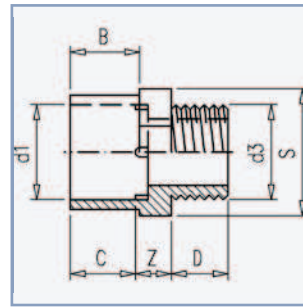


Adaptor nipple

Draadeind
Gewindestück
Embout fileté
Manicotto nipplo
Manchon de transición



Art.code	(inch) d1	d3	Z	B	C	D	S	PN	Quantity
3.16.050	1/2	1/2" (M)	4	14	17	19	32	16	50
3.16.055	1/2	3/4" (M)	4	14	17	19	32	16	50
3.16.065	3/4	3/4" (M)	8	19	20	19	36	16	50
3.16.070	3/4	1" (M)	8	19	20	21	36	16	50
3.16.085	1	1" (M)	10	22	23	21	46	16	50
3.16.090	1	1 1/4" (M)	10	22	23	23	46	16	50
3.16.100	1 1/4	1 1/4" (M)	10	26	27	23	55	16	50
3.16.105	1 1/4	1 1/2" (M)	10	26	27	23	55	16	50
3.16.120	1 1/2	1 1/2" (M)	13	31	30	23	65	16	150
3.16.125	1 1/2	2" (M)	13	31	30	27	65	16	150
3.16.135	2	1 1/2" (M)	21	44	36	23	80	16	120
3.16.140	2	2" (M)	21	44	36	27	80	16	120
3.15.150	2 1/2	2" (M)	25	51	44	27	95	16	48
3.15.155	2 1/2	2 1/2" (M)	25	51	44	31	95	16	48