

# Adaptor nipple

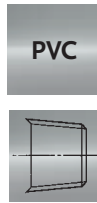
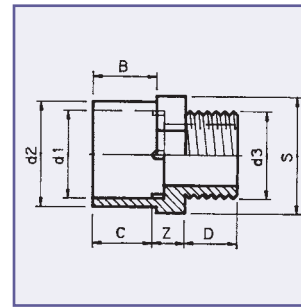
Draadeind

Gewindestück

Embout fileté

Manicotto nipplo

Manchon de transición



PVC-u metric

| Art.code | d1  | d2  | d3         | Z  | B  | C  | D  | S   | PN | Quantity |
|----------|-----|-----|------------|----|----|----|----|-----|----|----------|
| 3.15.010 | 10  | 16  | 1/4" (M)   | 8  | 12 | 12 | 12 | 19  | 16 | 250      |
| 3.15.020 | 12  | 16  | 1/4" (M)   | 8  | 12 | 12 | 12 | 19  | 16 | 250      |
| 4.40.110 | 12  | 16  | M 11" (M)  | 6  | 12 | 14 | 9  | 19  | 16 | 250      |
| 4.40.380 | 12  | 16  | WW3/8" (M) | 6  | 12 | 14 | 9  | 19  | 16 | 250      |
| 3.15.030 | 16  | 23  | 1/4" (M)   | 5  | 12 | 14 | 12 | 27  | 16 | 250      |
| 3.15.035 | 16  | 23  | 3/8" (M)   | 5  | 12 | 14 | 15 | 27  | 16 | 250      |
| 3.15.040 | 16  | 23  | 1/2" (M)   | 5  | 12 | 14 | 19 | 27  | 16 | 250      |
| 3.15.045 | 20  | 28  | 3/8" (M)   | 5  | 14 | 16 | 15 | 32  | 16 | 250      |
| 3.15.050 | 20  | 28  | 1/2" (M)   | 5  | 14 | 16 | 16 | 32  | 16 | 250      |
| 3.15.055 | 20  | 28  | 3/4" (M)   | 6  | 14 | 16 | 19 | 32  | 16 | 250      |
| 3.15.060 | 25  | 32  | 1/2" (M)   | 6  | 19 | 19 | 16 | 36  | 16 | 300      |
| 3.15.065 | 25  | 32  | 3/4" (M)   | 8  | 19 | 19 | 19 | 36  | 16 | 300      |
| 3.15.070 | 25  | 32  | 1" (M)     | 8  | 19 | 19 | 21 | 36  | 16 | 300      |
| 3.15.075 | 32  | 40  | 1/2" (M)   | 8  | 22 | 22 | 16 | 46  | 16 | 300      |
| 3.15.080 | 32  | 40  | 3/4" (M)   | 10 | 22 | 22 | 19 | 46  | 16 | 300      |
| 3.15.085 | 32  | 40  | 1" (M)     | 11 | 22 | 22 | 21 | 46  | 16 | 300      |
| 3.15.090 | 32  | 40  | 1 1/4" (M) | 11 | 22 | 22 | 23 | 46  | 16 | 300      |
| 3.15.092 | 40  | 50  | 1/2" (M)   | 11 | 26 | 26 | 19 | 55  | 16 | 225      |
| 3.15.093 | 40  | 50  | 3/4" (M)   | 11 | 26 | 26 | 19 | 55  | 16 | 225      |
| 3.15.095 | 40  | 50  | 1" (M)     | 11 | 26 | 26 | 21 | 55  | 16 | 225      |
| 3.15.100 | 40  | 50  | 1 1/4" (M) | 11 | 26 | 26 | 23 | 55  | 16 | 200      |
| 3.15.105 | 40  | 50  | 1 1/2" (M) | 11 | 26 | 26 | 23 | 55  | 16 | 175      |
| 3.15.110 | 50  | 63  | 1" (M)     | 12 | 31 | 31 | 21 | 65  | 16 | 150      |
| 3.15.115 | 50  | 63  | 1 1/4" (M) | 12 | 31 | 31 | 23 | 65  | 16 | 150      |
| 3.15.120 | 50  | 63  | 1 1/2" (M) | 12 | 31 | 31 | 23 | 65  | 16 | 150      |
| 3.15.125 | 50  | 63  | 2" (M)     | 12 | 31 | 31 | 27 | 65  | 16 | 150      |
| 3.15.130 | 63  | 75  | 1 1/4" (M) | 19 | 44 | 38 | 23 | 80  | 16 | 80       |
| 3.15.135 | 63  | 75  | 1 1/2" (M) | 19 | 44 | 38 | 23 | 80  | 16 | 80       |
| 3.15.140 | 63  | 75  | 2" (M)     | 19 | 44 | 38 | 27 | 80  | 16 | 80       |
| 3.15.145 | 63  | 75  | 2 1/2" (M) | 19 | 44 | 38 | 31 | 80  | 16 | 90       |
| 3.15.150 | 75  | 90  | 2" (M)     | 25 | 51 | 44 | 27 | 95  | 16 | 48       |
| 3.15.155 | 75  | 90  | 2 1/2" (M) | 25 | 51 | 44 | 31 | 95  | 16 | 48       |
| 3.15.160 | 75  | 90  | 3" (M)     | 25 | 51 | 44 | 33 | 95  | 16 | 48       |
| 3.15.165 | 90  | 110 | 2 1/2" (M) | 31 | 61 | 51 | 31 | 115 | 16 | 27       |
| 3.15.170 | 90  | 110 | 3" (M)     | 31 | 61 | 51 | 33 | 115 | 16 | 27       |
| 3.15.175 | 90  | 110 | 4" (M)     | 31 | 61 | 51 | 40 | 115 | 16 | 27       |
| 3.15.180 | 110 | 132 | 3" (M)     | 25 | 61 | 61 | 33 | 138 | 16 | 20       |
| 3.15.185 | 110 | 132 | 4" (M)     | 25 | 61 | 61 | 40 | 138 | 16 | 18       |