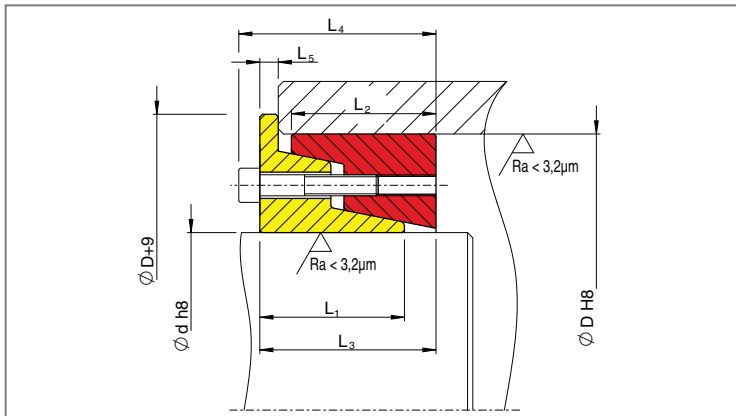


Locking Unit Type IS

Series ISN 1



Code:

- M_t maximum transmissible torque of a shrink disc with $P_{ax}=0$
- P_{ax} maximum transmissible axial load of a shrink disc with $M_t=0$
- M_a required tightening torque of the tightening bolts (see also "Mounting and Removal Instructions")
- P_w surface pressure on shaft
- P_n surface pressure on hub

Dimensions L_3 and L_4 apply to untightened units.

Type	d	x	D	M_t kNm	P_{ax} kN	L_1 mm	L_2 mm	L_3 mm	L_4 mm	L_5 mm	B*	M_a Nm	P_w N/mm ²	P_n	kg
ISN 1 20 x 47	20	x	47	0,3	28	20	17	23	29	3	6 x M6	17	185	93	0,2
ISN 1 22 x 47	22	x	47	0,3	28	20	17	23	29	3	6 x M6	17	168	93	0,2
ISN 1 24 x 50	24	x	50	0,3	28	20	17	23	29	3	6 x M6	17	154	87	0,2
ISN 1 25 x 50	25	x	50	0,3	28	20	17	23	29	3	6 x M6	17	148	87	0,2
ISN 1 28 x 55	28	x	55	0,5	37	20	17	23	29	3	8 x M6	17	176	105	0,3
ISN 1 30 x 55	30	x	55	0,6	37	20	17	23	29	3	8 x M6	17	164	105	0,3
ISN 1 35 x 60	35	x	60	0,7	42	20	17	23	29	3	9 x M6	17	158	109	0,3
ISN 1 40 x 65	40	x	65	0,9	46	20	17	23	29	3	10 x M6	17	154	112	0,3
ISN 1 45 x 75	45	x	75	1,6	69	24	20	28	36	4	8 x M8	41	168	121	0,5
ISN 1 50 x 80	50	x	80	2,0	80	24	20	28	36	4	9 x M8	41	170	127	0,6
ISN 1 55 x 85	55	x	85	2,4	87	24	20	28	36	4	10 x M8	41	171	133	0,6
ISN 1 60 x 90	60	x	90	2,6	87	24	20	28	36	4	10 x M8	41	157	126	0,7
ISN 1 65 x 95	65	x	95	3,4	105	24	20	28	36	4	12 x M8	41	174	143	0,7
ISN 1 70 x 110	70	x	110	4,8	137	29	24	34	44	5	10 x M10	83	177	136	1,3
ISN 1 75 x 115	75	x	115	5,1	137	29	24	35	45	5	10 x M10	83	166	130	1,4
ISN 1 80 x 120	80	x	120	6,1	151	29	24	34	44	5	10 x M10	83	171	138	1,4
ISN 1 85 x 125	85	x	125	7,0	165	29	24	35	45	5	12 x M10	83	175	144	1,5
ISN 1 90 x 130	90	x	130	7,4	165	29	24	34	44	5	12 x M10	83	166	138	1,6
ISN 1 95 x 135	95	x	135	8,0	163	29	24	35	45	5	12 x M10	83	157	133	1,6
ISN 1 100 x 145	100	x	145	10	196	33	28	39	51	5	11 x M12	145	175	142	2,2
ISN 1 110 x 155	110	x	155	11	196	33	28	39	51	5	11 x M12	145	159	133	2,4
ISN 1 120 x 165	120	x	165	16	264	33	28	39	51	5	12 x M12	145	186	159	2,6
ISN 1 130 x 180	130	x	180	20	301	38	33	43	55	5	16 x M12	145	170	142	3,6
ISN 1 140 x 190	140	x	190	21	301	38	33	43	55	5	16 x M12	145	158	134	3,9
ISN 1 150 x 200	150	x	200	25	332	38	33	43	55	5	18 x M12	145	166	143	4,1
ISN 1 160 x 210	160	x	210	27	339	38	33	43	55	5	18 x M12	145	156	137	4,3
ISN 1 170 x 225	170	x	225	35	414	44	38	50	64	6	16 x M14	230	158	135	5,7
ISN 1 180 x 235	180	x	235	42	465	44	38	50	64	6	18 x M14	230	168	145	6,0
ISN 1 190 x 250	190	x	250	51	537	52	46	58	72	6	21 x M14	230	156	132	8,3
ISN 1 200 x 260	200	x	260	62	620	52	46	58	72	6	24 x M14	230	170	145	8,6
ISN 1 220 x 285	220	x	285	79	719	57	50	64	80	7	21 x M16	355	164	139	11
ISN 1 240 x 305	240	x	305	92	763	57	50	64	80	7	21 x M16	355	158	137	12
ISN 1 260 x 325	260	x	325	112	863	57	50	64	80	7	24 x M16	355	167	147	13
ISN 1 280 x 355	280	x	355	145	1039	65	60	73	91	10	24 x M18	485	159	136	19
ISN 1 300 x 375	300	x	375	175	1168	72	60	80	91	12	24 x M18	485	167	145	20
ISN 1 320 x 405	320	x	405	242	1510	87	72	95	105	15	24 x M20	690	170	144	29
ISN 1 340 x 425	340	x	425	257	1510	87	72	96	106	15	24 x M20	690	160	137	31
ISN 1 360 x 455	360	x	455	338	1879	99	84	110	122	15	24 x M22	930	156	130	42
ISN 1 380 x 475	380	x	475	357	1879	89	84	99	121	15	27 x M22	930	147	125	44
ISN 1 400 x 495	400	x	495	438	2192	99	84	110	122	15	28 x M22	930	163	140	46
ISN 1 420 x 515	420	x	515	493	2349	89	84	99	121	15	30 x M22	930	167	144	49
ISN 1 440 x 545	440	x	545	566	2573	101	96	113	137	15	30 x M24	1200	161	137	64
ISN 1 460 x 565	460	x	565	592	2573	101	96	113	137	15	33 x M24	1200	154	132	67
ISN 1 480 x 585	480	x	585	617	2571	101	96	113	137	15	33 x M24	1200	148	128	69
ISN 1 500 x 605	500	x	605	723	2892	101	96	113	137	15	36 x M24	1200	160	139	72

Further sizes on request. Technical changes to be reserved without notice.

*Tightening bolts DINEN ISO 4762: Grade 12.9 When ordering please state: e.g. ISN 1 x 460 x 565 (Type x $\varnothing d$ x $\varnothing D$)