

CLAMPING AND BRAKING ELEMENTS

SERIES RBPS

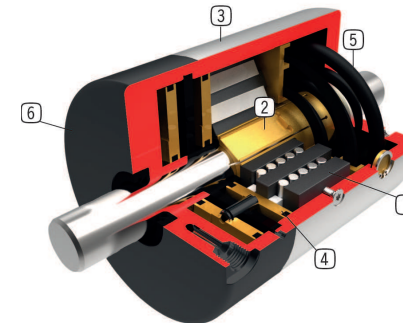
▶ PRODUCT ADVANTAGES

- ▶ **Independent of the manufacturer**
For circular guides and shaft guides
- ▶ **Energize to open (NC)**
through spring-loaded energy storage
- ▶ **high durability**
Up to 5 million static clamping cycles
- ▶ **Safety element**
Safe braking in case of energy failure



▶ TECHNICAL DETAILS

- 1 **Wedge-type gear**
- Power transmission between piston and collet chuck
- 2 **Collet chuck for clamping and braking**
- Pressed at the circular guide
- 3 **housing**
- chemically nickel plated steel
- 4 **Pneumatic piston**
- The ring piston moves the wedge-type gear longitudinally
- 5 **Spring-loaded energy storage**
- For non-pressurized closing of the clamping unit
- 6 **Cover**
- hard coated aluminium alloy



▶ INFORMATION ON THE PRODUCTS

APPLICATION SCENARIOS

- ▶ **Positioning of axes**
- ▶ **Fixing of vertical axes**
- ▶ **Positioning of lifting devices**

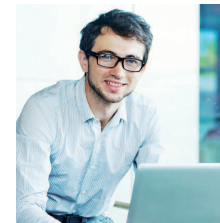
FURTHER INFORMATION

- ▶ **Special variants on request, e.g.**
With proximity switch monitoring
With low opening pressure (3.0 bar)

▶ INFORMATION ON THE SERIES

TECHNICAL DATA

incident wave quantity	5-60 mm
Holding force	3000-35000
pressure min.	4
pressure max.	6
Spring-loaded energy storage	existing
PLUS connection	no
Clamping cycles	up to 5 million
Braking cycles	up to 2000
Operation	pneumatic



▶ Technical Information

All information just a click away at: www.zimmer-group.de
Find data, illustrations, 3D models and operating instructions for your installation size using the order number for your desired product.
Quick, clear and always current.