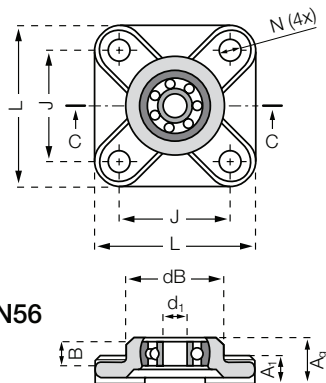


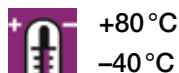
4-hole flange bearing



Made of xirodur® B180, RN56
and igumid G

PA cage

glass/stainless steel balls



+80 °C

-40 °C



Order key

EFSM-BB1-P08-B180-ES



Ball material

ES = stainless steel

GL = glass

Temperature resistance

xirodur® B180 = up to +80 °C

xirodur® A500 = up to +120 °C

Inner-Ø

Pivoting

Ball bearing, single-row

4-holes flange bearing

xiros® flange bearings with glass or stainless steel balls are also a combination of xiros® polymer ball bearings and igubal® housings.

The new angle-compensating xiros® polymer ball bearing was developed for the maintenance-free application in conveyor belts, cam rollers and support housings. The light, corrosion-free and anti-magnetic bearing needs no oil or grease and compensates for misalignments caused by tiltings and/or tolerances.

- Compensation of misalignments
- Very low weight
- Totally corrosion-resistant
- Lubrication- and maintenance-free
- Washable and non-magnetic
- Service life prediction on request
- Compact design
- Electrically insulating

Dimensions [mm]

Part number*	Inner-Ø d1	dB	L	J	A1	Ag	B	N	Max. pivoting angle
EFSM-BB1-P08-B180-ES*	8	32.5	52	36	9	15.5	8	6.4	±5°
EFSM-BB1-P10-B180-ES*	10	40.0	65	45	11	18.8	10	8.4	±5°
EFSM-BB1-P12-B180-ES*	12	48.0	74	52	14	23.5	12	8.4	±5°
EFSM-BB1-P08-B180-GL*	8	32.5	52	36	9	15.5	8	6.4	±5°
EFSM-BB1-P10-B180-GL*	10	40.0	65	45	11	18.8	10	8.4	±5°
EFSM-BB1-P12-B180-GL*	12	48.0	74	52	14	23.5	12	8.4	±5°

Technical Data

Part number*	Max. static bearing load axial [N]	Static bearing load [N]	Dynamic bearing load [N]	Max. speed [rpm]	Weight [g]
EFSM-BB1-P08-B180-ES*	165	60	84	2,200	25.2
EFSM-BB1-P10-B180-ES*	285	85	119	1,900	48.8
EFSM-BB1-P12-B180-ES*	315	105	147	1,750	80.0
EFSM-BB1-P08-B180-GL*	165	60	84	2,200	24.0
EFSM-BB1-P10-B180-GL*	285	85	119	1,900	46.2
EFSM-BB1-P12-B180-GL*	315	105	147	1,750	77.7

* Temperatures up to +120 °C: EFSM-BB1-...-A500-... on request



delivery from stock
time



prices price list online

www.igus.eu/eu/EFSM-BB1