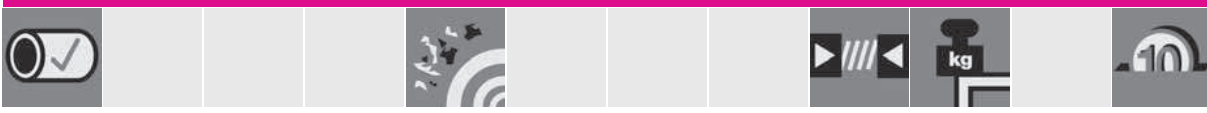


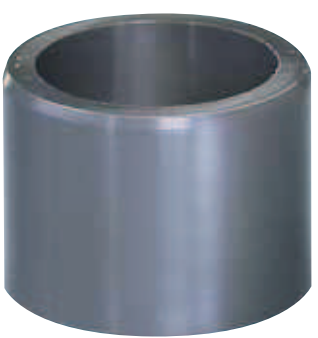


iglidur® M250

Phone +49 - 22 03 - 96 49-145
 Fax +49 - 22 03 - 96 49-334



iglidur® M250 – Thick and Robust



- Excellent vibration dampening
- Resistant to edge loading
- High impact resistance
- Thick walled according to DIN 1850
- Dirt can become embedded for shaft protection



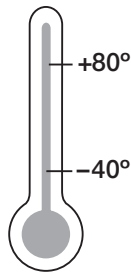
The self lubricating plain bearings made of iglidur® M250 are defined by their impact strength, vibration dampening, and wear resistant properties. They excel in applications in which vibration dampening is necessary, for example, in fitness and packaging machines.

iglidur® M250

3 styles
> 450 dimensions
Ø 1–75 mm



Phone +49 - 22 03 - 96 49-145
Fax +49 - 22 03 - 96 49-334



igus® GmbH
51147 Cologne

Price index



Thick and Robust

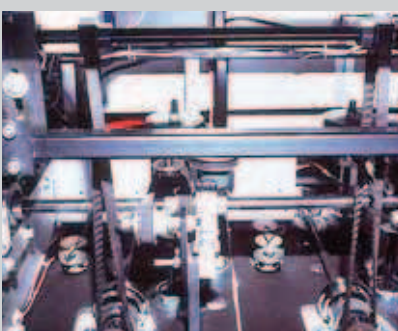


When to use iglidur® M250 plain bearings:

- When the bearings are exposed to high amounts of dirt
- When high vibration dampening is necessary
- For low to average speeds
- When mechanical reaming of the wall surface is necessary
- Resistant to edge loads
- High impact resistance
- Thick-walled

When not use iglidur® M250 plain bearings:

- For applications in wet areas
▶ iglidur® H (chapter 12),
- When very high precision is necessary
▶ iglidur® P (chapter 17),
- For very smooth shafts
▶ iglidur® J (chapter 3),
- when a cost-effective wear resistant bearing is desired
▶ iglidur® R (chapter 19)

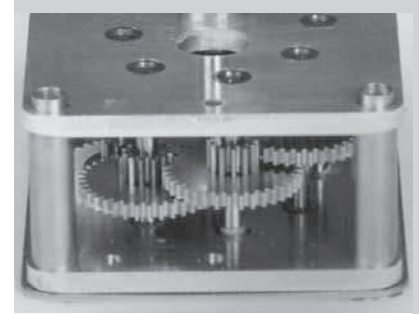


Picture 4.1: Paper dust in this mail sorting device always led to an early malfunction of the previous bearings used. Problem solved.

Material Table

General Properties	Unit	iglidur® M250	Testing Method
Density	g/cm ³	1,14	
Colour		Charcoal	
Max. moisture absorption at 23°C / 50% r.F.	% weight	1,4	DIN 53495
Max. moisture absorption	% weight	7,6	
Coefficient of sliding friction, dynamic against steel	μ	0,18 - 0,40	
p x v value, max. (dry)	MPa x m/s	0,12	
Mechanical Properties			
Modulus of elasticity	MPa	2.700	DIN 53457
Tensile strength at 20°C	MPa	112	DIN 53452
Compressive strength	MPa	52	
Max. recommended surface pressure (20°C)	MPa	20	
Shore D hardness		79	DIN 53505
Physical and Thermal Properties			
Max. long term application temperature	°C	80	
Max. application temperature, short term	°C	170	
Min. application temperature	°C	-40	
Thermal conductivity	W/m x K	0,24	ASTM C 177
Coefficient of thermal expansion	K ⁻¹ x 10 ⁻⁵	10	DIN 53752
Electrical Properties			
Specific volume resistance	Ωcm	> 10 ¹³	DIN IEC 93
Surface resistance	Ω	> 10 ¹¹	DIN 53482

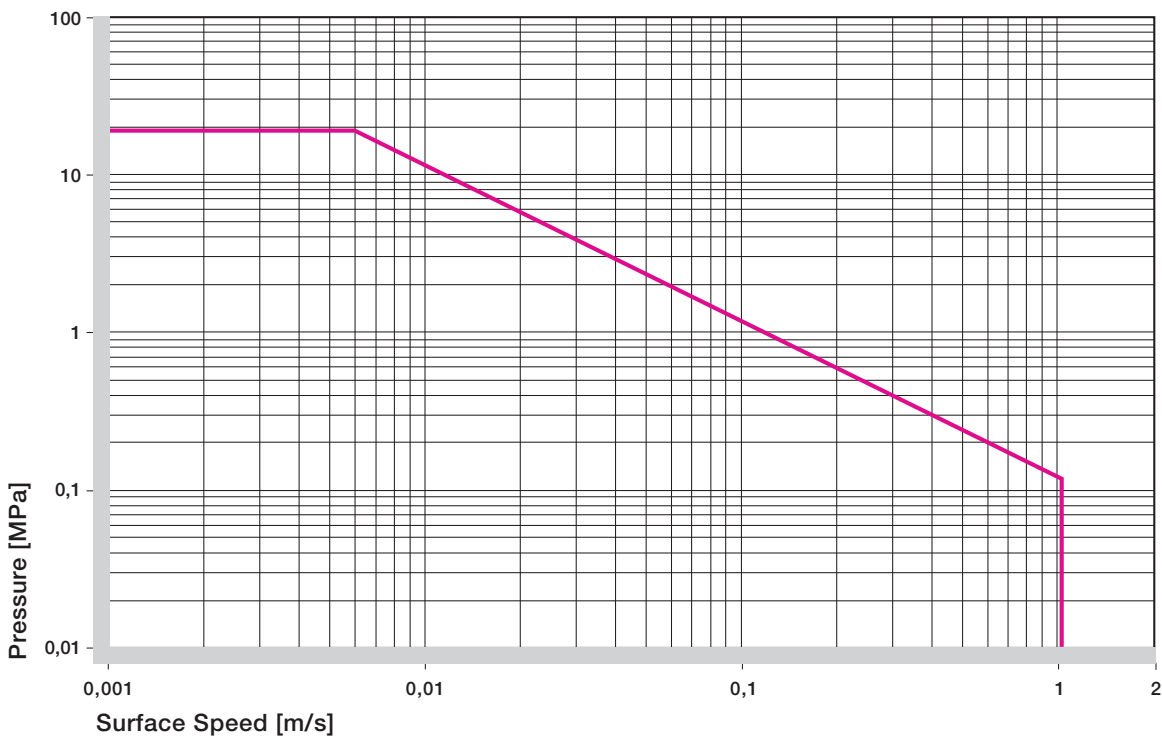
Table 4.1: Material Table



Picture 4.2: Precision mechanical gears need plain bearings with universal properties



Picture 4.3: In this analytical pump, sewage water is tested with chemicals and floating particles



Graph 4.1: Permissible p x v value for iglidur® M250 running dry against a steel shaft, at 20°C

+

-

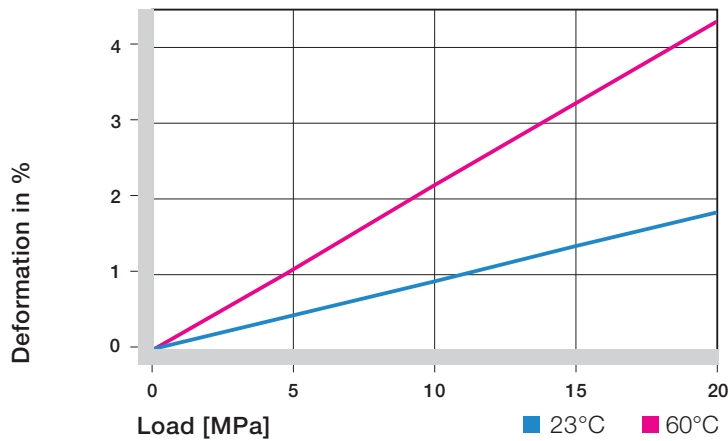
←

→

i

mm

Inch



Graph 4.2: Deformation under pressure and temperature



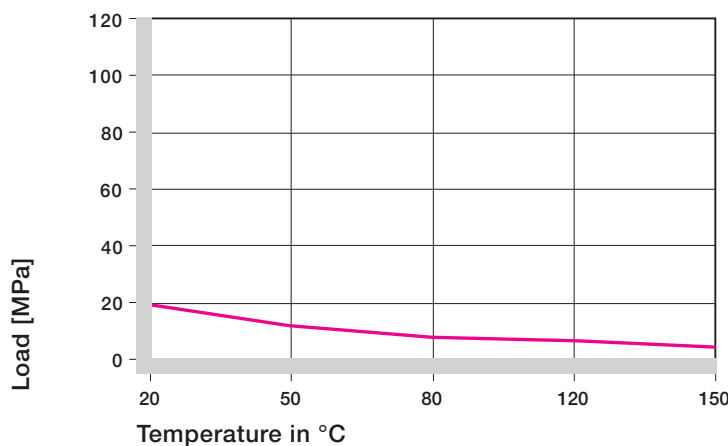
Picture 4.4: Corrosion resistance and vibration dampening are reasons for using the bearing in this lawn mower wheel.

m/s	Rotating	Oscillating	Linear
Continuous	0,8	0,6	2,5
Short term	2	1,4	5

Table 4.2: Maximum surface speeds

iglidur® J	Application Temperature
Minimum	-40 °C
Max. long term	+80 °C
Max. short term	+170 °C

Table 4.3: Temperature limits for iglidur® M250



Graph 4.3: Recommended maximum surface pressure of iglidur® M250 as a function of temperature

The self lubricating plain bearings made of iglidur® M250 are defined by their impact strength, vibration dampening, and wear resistant properties. They excel in applications in which vibration dampening is necessary, for example, in fitness and packaging machines. Since they are additionally able to absorb dirt, they are also suited for agricultural machines and garden appliances.

Surface Pressure

iglidur®M250 bearings can withstand radial loads of a maximum 20 MPa. The material deformation is below 2% at room temperature. Compared with other iglidur® materials iglidur® M250 bearings are highly elastic. By this elasticity, they are able to yield very well, but retain their original shape again. A plastic deformation is minimal up to the permissible surface pressure.

☑ Graph 4.2

▶ Surface Pressure, page 1.18

Permissible Surface Speeds

As standard, iglidur® M250 is manufactured as a thick walled bearing. iglidur® M250 is best suited for low to medium surface speeds. The maximum permissible speed for dry running applications is 0.8 m/s (rotating) or 2 m/s (linear).

▶ Surface Speed, page 1.20

▶ $p \times v$ value, page 1.22

Temperatures

The maximum permissible short term temperature is 170°C. However iglidur® M250 plain bearings may only be exposed to this temperature without any additional load. The long term permissible application temperature is 80°C. This is also the location of the wear limit, i.e. the temperature over which the wear increases exponentially.

☑ Graph 4.3

▶ Applications Temperatures, page 1.23

Friction and Wear

The coefficient of friction μ of a plain bearing among other things is influenced by the surface speed and the load. If the load stays constant, then the coefficient of friction increases with increasing speed (see Graph 4.4).

On the other hand, an increase in load at constant speed can result in a reduction in the coefficient of friction (see Graph 4.5).

Friction and wear are also greatly dependent on the surface of the shaft. If you observe the coefficient of friction, then the ideal shaft finish for iglidur® M250 bearings is $R_a = 0.6 \mu\text{m}$.

- ☑ Graphs 4.4 to 4.6
- ▶ Coefficients of Friction and Surfaces, page 1.25
- ▶ Wear Resistance, page 1.26

Shaft Materials

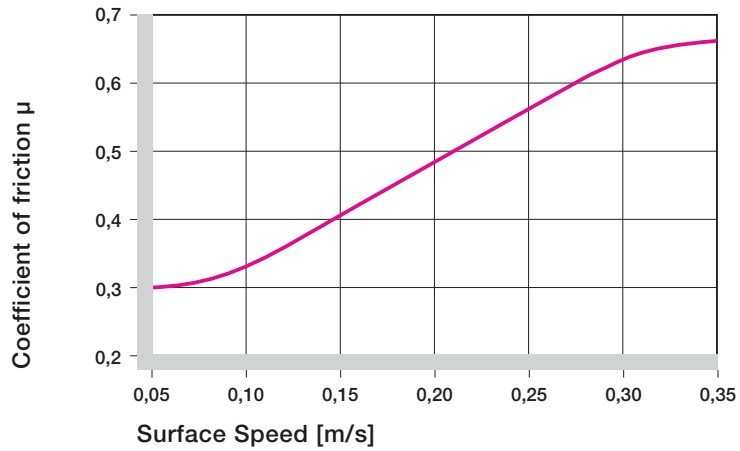
Graphs 4.7 to 4.9 show results of testing different shaft materials with plain bearings made of iglidur® M250.

Up to loads of 2 MPa the shaft material plays a relatively small role for rotational movements. Graph 4.7 best illustrates which shaft materials are best suited for smaller loads. If the load increases, the wear of a bearing clearly increases. Therefore, a suitable shaft material must be considered for higher loads. These are hardened shafts, such as cold-rolled steel or hard chromed shafts. Graph 4.9 makes it clear that iglidur® M250 is considerably better for rotational than for oscillating operation. However, it must be mentioned that in oscillating movements, often the vibrations acting on the bearing are especially high. Here, iglidur® M250 can utilise its special dampening properties. In our test, these vibrations are excluded so that the comparison between rotation and oscillating operation is captured first.

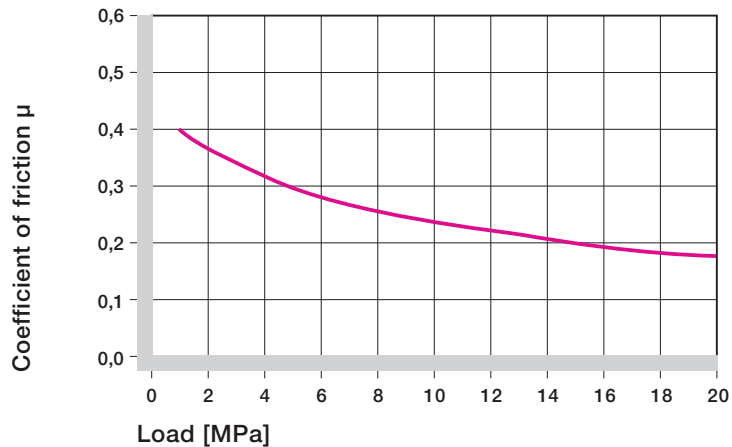
- ☑ Graphs 4.7 to 4.9
- ▶ Shaft Materials, pages 1.28

iglidur® M250	Dry	Grease	Oil	Water
C.o.f. [μ]	0,18–0,40	0,09	0,04	0,04

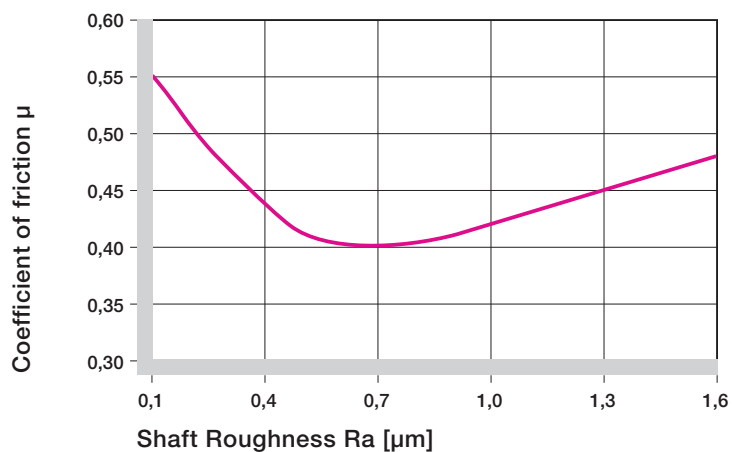
Table 4.4: Coefficients of friction iglidur® M250 against steel ($R_a = 1 \mu\text{m}$, 50 HRC)



Graph 4.4: Coefficient of friction of iglidur® M250 as a function of the surface speed; $p = 0.75 \text{ MPa}$



Graph 4.5: Coefficient of friction of iglidur® M250 as a function of the load, $v = 0.01 \text{ m/s}$



Graph 4.6: Coefficient of friction for iglidur® M250 as a function of the shaft surface (CF53 hardened and ground steel)

iglidur® M250

Phone +49 - 22 03 - 96 49-145
Fax +49 - 22 03 - 96 49-334

Navigation icons: Home, Search, Information, Units (mm, Inch)

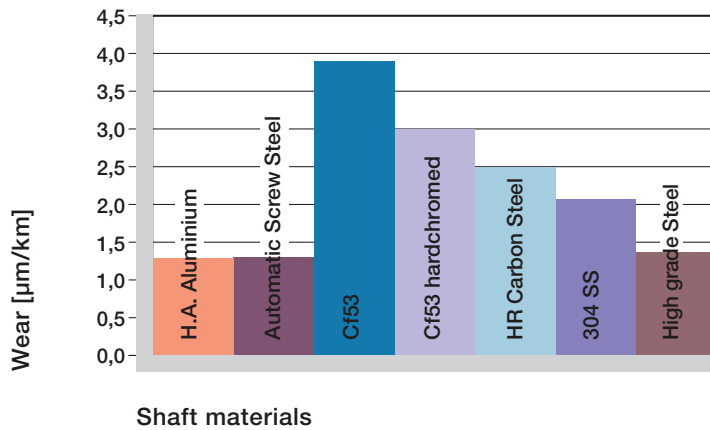
iglidur® M250

 Phone +49 - 22 03 - 96 49-145
 Fax +49 - 22 03 - 96 49-334

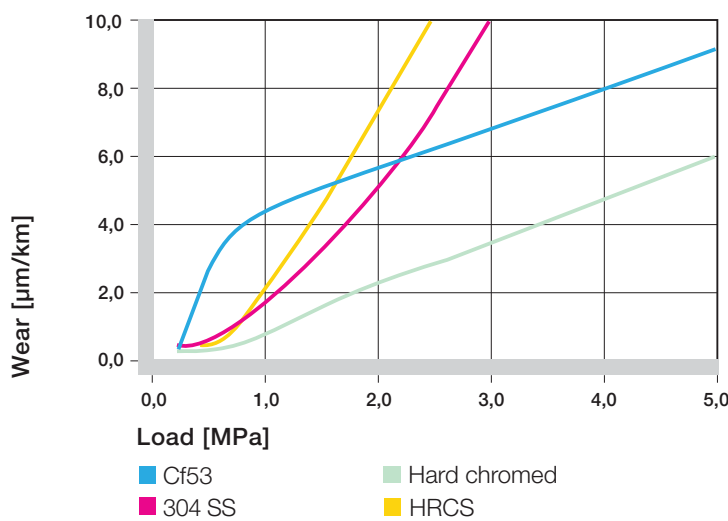
 igus® GmbH
 51147 Cologne

 Internet www.igus.de
 E-mail info@igus.de

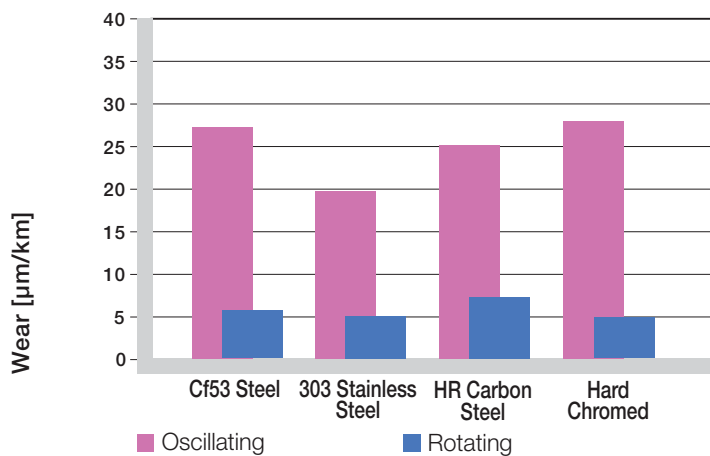
4.6



Graph 4.7: Wear for iglidur® M250, rotating with different shaft materials, $p = 0.75 \text{ MPa}$, $v = 0.5 \text{ m/s}$



Graph 4.8: Wear of iglidur® M250 with different shaft materials in rotational operation



Graph 4.9: Wear for oscillating and rotating applications with different shaft materials at $p = 2 \text{ MPa}$

Installation Tolerances

igidur® M250 plain bearings require a relatively large amount of clearance for optimal operation. This ensures that the bearing remains reliable during temperature change and water absorption.

This clearance, which would not be acceptable for a metallic plain bearing, allows the iglidur® M250 to exhibit its best qualities, such as wear resistance and maintenance-free operation. The disadvantages of the clearance are minimised by the vibration dampening properties.

The bearings are designed for pressfit into a housing machined to a H7 tolerance. After being assembled into a nominal size housing, the inner diameter adjusts to meet our specified tolerances. Please adhere to the catalogue specifications for housing bore and recommended shaft sizes. This will help to ensure optimal performance of iglidur® plain bearings.

► Testing Methods, page 1.35

Chemical Resistance

igidur® M250 plain bearings have a good resistance to chemicals. They are resistant to most lubricants. They are not affected by most weak organic and inorganic acids. The moisture absorption of iglidur® M250 plain bearings is approximately 1.4% in standard atmosphere. The saturation limit in water is 7.5%. This must be taken into account along with other applicable conditions.

Graph 4.10

► Chemical Table, pages 70.1

Radiation Resistance

Plain bearings made from iglidur® M250 can be used conditionally under radioactive radiation. They are resistant to radiation up to a radiation intensity of 1×10^4 Gy.

UV Resistance

iglidur® M250 plain bearings are permanent-ly resistant to UV radiation.

Vacuum

In a vacuum environment, the iglidur® M250 plain bearing releases moisture as vapour. The relatively high moisture absorption of the bearing allows only limited use in the vacuum.

Electrical Properties

iglidur® M250 plain bearings are electrically insulating.

Diameter d1 [mm]	Shaft h9 [mm]	iglidur® M250 D11 [mm]
up to 3	0-0,025	+0,020 +0,080
> 3 to 6	0-0,030	+0,030 +0,105
> 6 to 10	0-0,036	+0,040 +0,130
> 10 to 18	0-0,043	+0,050 +0,160
> 18 to 30	0-0,052	+0,065 +0,195
> 30 to 50	0-0,062	+0,080 +0,240
> 50 to 80	0-0,074	+0,100 +0,290

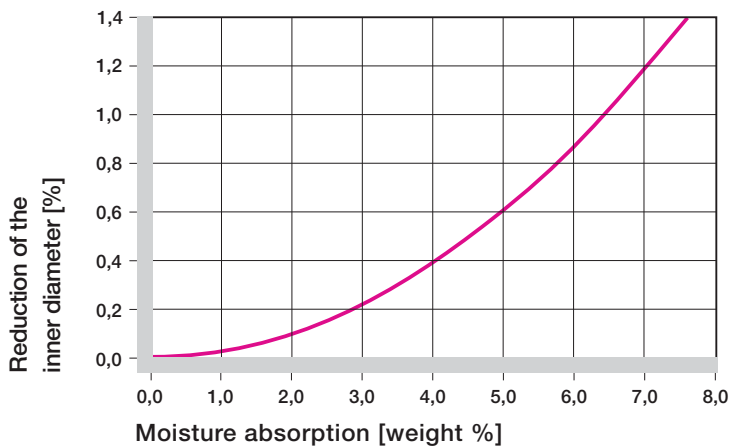
Table 4.5: Essential tolerances for iglidur® M250 plain bearings after pressfit

Medium	Resistance
Alcohol	+ to 0
Hydrocarbons	+
Greases, oils without additives	+
Fuels	+
Diluted acids	0 to -
Strong acids	-
Diluted alkalines	+
Strong alkalines	0

Table 4.6: Chemical resistance of iglidur® M250 – detailed list, page 70.1

+ resistant 0 conditionally resistant - not resistant

All data given at room temperature [20°C]



Graph 4.10: Effect of moisture absorption on iglidur® M250 plain bearings

iglidur® M250	
Specific	
volume resistant	$> 10^{13} \Omega\text{cm}$
Surface resistant	$> 10^{11} \Omega$

Table 4.7: Electrical properties of iglidur® M250

Application Example

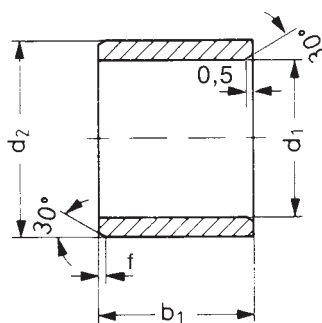
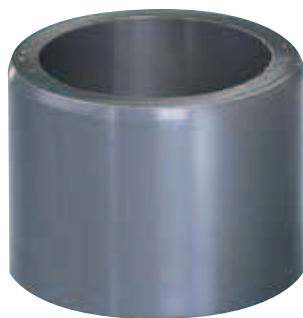


Picture 4.5: iglidur® M250 in agricultural machines: dirt, weather, impact stress, and edge loading are factors

iglidur® M250

Phone +49 - 22 03 - 96 49-145
Fax +49 - 22 03 - 96 49-334

Navigation icons: Home (+), Back (←), Forward (→), Search (I), Information (i), Units (mm, Inch).



Data in mm

Structure – part no.
M S M-0103-02

Chamfer in relation to the d1

d1 [mm]:	Ø 1–6	Ø 6–12	Ø 12–30	Ø > 30
f [mm]:	0,3	0,5	0,8	1,2

Dimensions according to DIN 1850
and special dimensions

Part Number	d1	d1 Tolerance*	d2	b1	Part Number	d1	d1 Tolerance*	d2	b1
				h13					h13
MSM-0103-02	1,0	+0,020 +0,080	3,0	2,0	MSM-0710-05	7,0	+0,040 +0,130	10,0	5,0
MSM-0104-02	1,5	+0,020 +0,080	4,0	2,0	MSM-0710-08	7,0	+0,040 +0,130	10,0	8,0
MSM-0205-01	2,0	+0,020 +0,080	5,0	1,0	MSM-0710-10	7,0	+0,040 +0,130	10,0	10,0
MSM-0205-02	2,0	+0,020 +0,080	5,0	2,0	MSM-0711-16	7,0	+0,040 +0,130	11,0	16,0
MSM-0205-03	2,0	+0,020 +0,080	5,0	3,0	MSM-0810-06	8,0	+0,040 +0,130	10,0	6,0
MSM-0206-03	2,5	+0,020 +0,080	6,0	3,0	MSM-0810-08	8,0	+0,040 +0,130	10,0	8,0
MSM-0305-03	3,0	+0,020 +0,080	5,0	3,0	MSM-0810-10	8,0	+0,040 +0,130	10,0	10,0
MSM-0305-04	3,0	+0,020 +0,080	5,0	4,0	MSM-0811-06	8,0	+0,040 +0,130	11,0	6,0
MSM-0306-03	3,0	+0,020 +0,080	6,0	3,0	MSM-0811-08	8,0	+0,040 +0,130	11,0	8,0
MSM-0306-04	3,0	+0,020 +0,080	6,0	4,0	MSM-0811-12	8,0	+0,040 +0,130	11,0	12,0
MSM-0407-03	4,0	+0,030 +0,105	7,0	3,0	MSM-0812-04	8,0	+0,040 +0,130	12,0	4,0
MSM-0407-04	4,0	+0,030 +0,105	7,0	4,0	MSM-0812-06	8,0	+0,040 +0,130	12,0	6,0
MSM-0407-06	4,0	+0,030 +0,105	7,0	6,0	MSM-0812-08	8,0	+0,040 +0,130	12,0	8,0
MSM-0408-04	4,0	+0,030 +0,105	8,0	4,0	MSM-0812-10	8,0	+0,040 +0,130	12,0	10,0
MSM-0408-06	4,0	+0,030 +0,105	8,0	6,0	MSM-0812-12	8,0	+0,040 +0,130	12,0	12,0
MSM-0508-04	5,0	+0,030 +0,105	8,0	4,0	MSM-0814-06	8,0	+0,040 +0,130	14,0	6,0
MSM-0508-05	5,0	+0,030 +0,105	8,0	5,0	MSM-0814-10	8,0	+0,040 +0,130	14,0	10,0
MSM-0508-08	5,0	+0,030 +0,105	8,0	8,0	MSM-0912-14	9,0	+0,040 +0,130	12,0	14,0
MSM-0509-05	5,0	+0,030 +0,105	9,0	5,0	MSM-1014-06	10,0	+0,040 +0,130	14,0	6,0
MSM-0509-08	5,0	+0,030 +0,105	9,0	8,0	MSM-1014-08	10,0	+0,040 +0,130	14,0	8,0
MSM-0608-10	6,0	+0,030 +0,105	8,0	10,0	MSM-1014-10	10,0	+0,040 +0,130	14,0	10,0
MSM-0609-06	6,0	+0,030 +0,105	9,0	6,0	MSM-1014-16	10,0	+0,040 +0,130	14,0	16,0
MSM-0610-02	6,0	+0,030 +0,105	10,0	2,5	MSM-1016-06	10,0	+0,040 +0,130	16,0	6,0
MSM-0610-04	6,0	+0,030 +0,105	10,0	4,0	MSM-1016-08	10,0	+0,040 +0,130	16,0	8,0
MSM-0610-06	6,0	+0,030 +0,105	10,0	6,0	MSM-1016-10	10,0	+0,040 +0,130	16,0	10,0
MSM-0610-08	6,0	+0,030 +0,105	10,0	8,0	MSM-1016-16	10,0	+0,040 +0,130	16,0	16,0
MSM-0610-10	6,0	+0,030 +0,105	10,0	10,0	MSM-1016-50	10,0	+0,040 +0,130	16,0	50,0
MSM-0611-04	6,0	+0,030 +0,105	11,0	4,0	MSM-1214-15	12,0	+0,050 +0,160	14,0	15,0
MSM-0612-06	6,0	+0,030 +0,105	12,0	6,0	MSM-1214-20	12,0	+0,050 +0,160	14,0	20,0
MSM-0612-10	6,0	+0,030 +0,105	12,0	10,0					

*after pressfit. Testing methods ► page 1.35

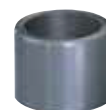
Order example

Our price breaks are defined by the order quantity.

1– 9	25–49	100–199	500– 999	2500–4999
10–24	50–99	200–499	1000–2499	

For the current prices please visit the igus®-Homepage www.igus.de/en

No minimum order quantities, no surcharges.



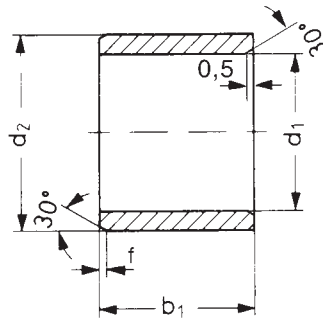
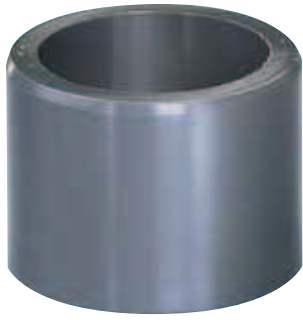
Type S



Type F



Type T



Data in mm

Structure – part no.
M S M-1216-15



- b1
- d2
- d1
- Metric
- Type
- Material

Dimensions according to DIN 1850 and special dimensions

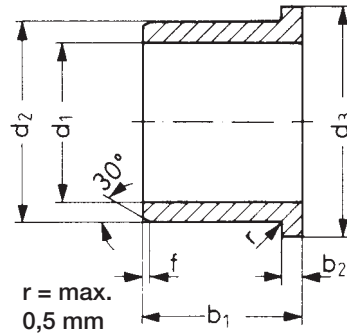
Chamfer in relation to the d1

d1 [mm]:	Ø 1–6	Ø 6–12	Ø 12–30	Ø > 30
f [mm]:	0,3	0,5	0,8	1,2

Part Number	d1	d1 Tolerance*	d2	b1 h13
MSM-1216-15	12,0	+0,050 +0,160	16,0	15,0
MSM-1216-20	12,0	+0,050 +0,160	16,0	20,0
MSM-1218-08	12,0	+0,050 +0,160	18,0	8,0
MSM-1218-10	12,0	+0,050 +0,160	18,0	10,0
MSM-1218-15	12,0	+0,050 +0,160	18,0	15,0
MSM-1218-20	12,0	+0,050 +0,160	18,0	20,0
MSM-1416-085	14,0	+0,050 +0,160	16,0	8,5
MSM-1416-10	14,0	+0,050 +0,160	16,0	10,0
MSM-1416-15	14,0	+0,050 +0,160	16,0	15,0
MSM-1416-20	14,0	+0,050 +0,160	16,0	20,0
MSM-1416-29	14,0	+0,050 +0,160	16,0	29,0
MSM-1418-20	14,0	+0,050 +0,160	18,0	20,0
MSM-1420-10	14,0	+0,050 +0,160	20,0	10,0
MSM-1420-15	14,0	+0,050 +0,160	20,0	15,0
MSM-1420-20	14,0	+0,050 +0,160	20,0	20,0
MSM-1517-10	15,0	+0,050 +0,160	17,0	10,0
MSM-1517-15	15,0	+0,050 +0,160	17,0	15,0
MSM-1521-10	15,0	+0,050 +0,160	21,0	10,0
MSM-1521-15	15,0	+0,050 +0,160	21,0	15,0
MSM-1521-20	15,0	+0,050 +0,160	21,0	20,0
MSM-1521-23	15,0	+0,050 +0,160	21,0	23,0
MSM-1618-12	16,0	+0,050 +0,160	18,0	12,0
MSM-1618-20	16,0	+0,050 +0,160	18,0	20,0
MSM-1620-20	16,0	+0,050 +0,160	20,0	20,0
MSM-1620-25	16,0	+0,050 +0,160	20,0	25,0
MSM-1620-30	16,0	+0,050 +0,160	20,0	30,0
MSM-1622-12	16,0	+0,050 +0,160	22,0	12,0
MSM-1622-15	16,0	+0,050 +0,160	22,0	15,0
MSM-1622-16	16,0	+0,050 +0,160	22,0	16,0
MSM-1622-20	16,0	+0,050 +0,160	22,0	20,0
MSM-1622-25	16,0	+0,050 +0,160	22,0	25,0
MSM-1824-12	18,0	+0,050 +0,160	24,0	12,0
MSM-1824-20	18,0	+0,050 +0,160	24,0	20,0
MSM-1824-30	18,0	+0,050 +0,160	24,0	30,0
MSM-2023-15	20,0	+0,065 +0,195	23,0	15,0
MSM-2023-20	20,0	+0,065 +0,195	23,0	20,0
MSM-2025-14	20,0	+0,065 +0,195	25,0	14,0
MSM-2025-20	20,0	+0,065 +0,195	25,0	20,0
MSM-2025-30	20,0	+0,065 +0,195	25,0	30,0
MSM-2026-12	20,0	+0,065 +0,195	26,0	12,0
MSM-2026-15	20,0	+0,065 +0,195	26,0	15,0

Part Number	d1	d1 Tolerance*	d2	b1 h13
MSM-2026-20	20,0	+0,065 +0,195	26,0	20,0
MSM-2026-30	20,0	+0,065 +0,195	26,0	30,0
MSM-2226-15	22,0	+0,065 +0,195	26,0	15,0
MSM-2228-10	22,0	+0,065 +0,195	28,0	10,0
MSM-2228-15	22,0	+0,065 +0,195	28,0	15,0
MSM-2228-20	22,0	+0,065 +0,195	28,0	20,0
MSM-2228-30	22,0	+0,065 +0,195	28,0	30,0
MSM-2430-15	24,0	+0,065 +0,195	30,0	15,0
MSM-2430-20	24,0	+0,065 +0,195	30,0	20,0
MSM-2430-30	24,0	+0,065 +0,195	30,0	30,0
MSM-2528-12	25,0	+0,065 +0,195	28,0	12,0
MSM-2528-20	25,0	+0,065 +0,195	28,0	20,0
MSM-2530-20	25,0	+0,065 +0,195	30,0	20,0
MSM-2530-30	25,0	+0,065 +0,195	30,0	30,0
MSM-2530-40	25,0	+0,065 +0,195	30,0	40,0
MSM-2532-12	25,0	+0,065 +0,195	32,0	12,0
MSM-2532-20	25,0	+0,065 +0,195	32,0	20,0
MSM-2532-30	25,0	+0,065 +0,195	32,0	30,0
MSM-2532-35	25,0	+0,065 +0,195	32,0	35,0
MSM-2532-40	25,0	+0,065 +0,195	32,0	40,0
MSM-2630-20	26,0	+0,065 +0,195	30,0	20,0
MSM-2632-30	26,0	+0,065 +0,195	32,0	30,0
MSM-2734-20	27,0	+0,065 +0,195	34,0	20,0
MSM-2734-30	27,0	+0,065 +0,195	34,0	30,0
MSM-2734-40	27,0	+0,065 +0,195	34,0	40,0
MSM-2833-20	28,0	+0,065 +0,195	33,0	20,0
MSM-2836-20	28,0	+0,065 +0,195	36,0	20,0
MSM-2836-30	28,0	+0,065 +0,195	36,0	30,0
MSM-2836-40	28,0	+0,065 +0,195	36,0	40,0
MSM-3035-20	30,0	+0,065 +0,195	35,0	20,0
MSM-3035-40	30,0	+0,065 +0,195	35,0	40,0
MSM-3038-20	30,0	+0,065 +0,195	38,0	20,0
MSM-3038-30	30,0	+0,065 +0,195	38,0	30,0
MSM-3038-40	30,0	+0,065 +0,195	38,0	40,0
MSM-3040-40	30,0	+0,065 +0,195	40,0	40,0
MSM-3240-20	32,0	+0,080 +0,240	40,0	20,0
MSM-3240-30	32,0	+0,080 +0,240	40,0	30,0
MSM-3240-40	32,0	+0,080 +0,240	40,0	40,0
MSM-3542-50	35,0	+0,080 +0,240	42,0	50,0
MSM-4046-20	40,0	+0,080 +0,240	46,0	20,0
MSM-7580-60	75,0	+0,100 +0,290	80,0	60,0

*after pressfit. Testing methods ► page 1.35



Data in mm

Structure – part no.
M F M-0103-02

b1
d2
d1
Metric
Type
Material

Chamfer in relation to the d1

d1 [mm]:	Ø 1-6	Ø 6-12	Ø 12-30	Ø > 30
f [mm]:	0,3	0,5	0,8	1,2

Dimensions according to DIN 1850
and special dimensions

Part Number	d1	d1 Tolerance*	d2	d3		b2	
				d13	h13	b1	-0,14
MFM-0103-02	1,0	+0,020 +0,080	3,0	5,0	2,0	1,0	
MFM-0104-02	1,5	+0,020 +0,080	4,0	6,0	2,0	1,0	
MFM-0205-03	2,0	+0,020 +0,080	5,0	8,0	3,0	1,5	
MFM-0206-03	2,5	+0,020 +0,080	6,0	9,0	3,0	1,5	
MFM-0306-04	3,0	+0,020 +0,080	6,0	9,0	4,0	1,5	
MFM-0408-04	4,0	+0,030 +0,105	8,0	12,0	4,0	2,0	
MFM-0408-06	4,0	+0,030 +0,105	8,0	12,0	6,0	2,0	
MFM-0408-08	4,0	+0,030 +0,105	8,0	12,0	8,0	2,0	
MFM-0509-05	5,0	+0,030 +0,105	9,0	13,0	5,0	2,0	
MFM-0509-06	5,0	+0,030 +0,105	9,0	13,0	6,0	2,0	
MFM-0509-08	5,0	+0,030 +0,105	9,0	13,0	8,0	2,0	
MFM-0610-04	6,0	+0,030 +0,105	10,0	14,0	4,0	2,0	
MFM-0610-06	6,0	+0,030 +0,105	10,0	14,0	6,0	2,0	
MFM-0610-10	6,0	+0,030 +0,105	10,0	14,0	10,0	2,0	
MFM-0612-06	6,0	+0,030 +0,105	12,0	14,0	6,0	3,0	
MFM-0612-10	6,0	+0,030 +0,105	12,0	14,0	10,0	3,0	
MFM-0711-08	7,0	+0,040 +0,130	11,0	15,0	8,0	2,0	
MFM-0811-05	8,0	+0,040 +0,130	11,0	13,0	5,0	2,0	
MFM-0811-08	8,0	+0,040 +0,130	11,0	13,0	8,0	2,0	
MFM-0812-06	8,0	+0,040 +0,130	12,0	16,0	6,0	2,0	
MFM-0812-08	8,0	+0,040 +0,130	12,0	16,0	8,0	2,0	
MFM-0812-12	8,0	+0,040 +0,130	12,0	16,0	12,0	2,0	
MFM-0814-06	8,0	+0,040 +0,130	14,0	18,0	6,0	3,0	
MFM-0814-10	8,0	+0,040 +0,130	14,0	18,0	10,0	3,0	
MFM-081416-06	8,0	+0,040 +0,130	14,0	16,0	6,0	3,0	
MFM-081416-10	8,0	+0,040 +0,130	14,0	16,0	10,0	3,0	
MFM-0914-06	9,0	+0,040 +0,130	14,0	19,0	6,0	2,0	
MFM-0914-10	9,0	+0,040 +0,130	14,0	19,0	10,0	2,0	
MFM-0914-14	9,0	+0,040 +0,130	14,0	19,0	14,0	2,0	
MFM-1014-10	10,0	+0,040 +0,130	14,0	19,0	10,0	2,0	
MFM-1014-14	10,0	+0,040 +0,130	14,0	17,5	14,0	1,0	
MFM-1014-19	10,0	+0,040 +0,130	14,0	17,5	19,0	1,0	
MFM-1014-24	10,0	+0,040 +0,130	14,0	17,5	24,0	1,0	
MFM-1014-34	10,0	+0,040 +0,130	14,0	17,5	34,0	1,0	
MFM-101420-12	10,0	+0,040 +0,130	14,0	20,0	12,0	2,0	
MFM-1016-08	10,0	+0,040 +0,130	16,0	22,0	8,0	3,0	
MFM-1016-10	10,0	+0,040 +0,130	16,0	22,0	10,0	3,0	
MFM-1016-16	10,0	+0,040 +0,130	16,0	22,0	16,0	3,0	

*after pressfit. Testing methods ► page 1.35

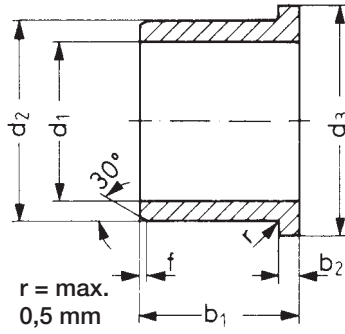
mm

iglidur® M250 – Type F

Phone +49 - 22 03 - 96 49-145
Fax +49 - 22 03 - 96 49-334

igus® GmbH
51147 Cologne

Internet www.igus.de
E-mail info@igus.de



Data in mm

Structure – part no.
M F M-101620-06



Dimensions according to DIN 1850 and special dimensions

Chamfer in relation to the d1

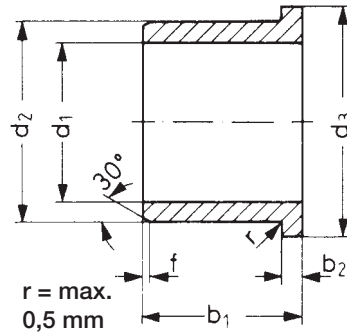
d1 [mm]:	Ø 1-6	Ø 6-12	Ø 12-30	Ø > 30
f [mm]:	0,3	0,5	0,8	1,2

Part Number	d1	d1 Tolerance*	d2	d3	b1	b2
MFM-101620-06	10,0	+0,040 +0,130	16,0	20,0	6,0	3,0
MFM-101620-10	10,0	+0,040 +0,130	16,0	20,0	10,0	3,0
MFM-1216-10	12,0	+0,050 +0,160	16,0	22,0	10,0	2,0
MFM-1216-20	12,0	+0,050 +0,160	16,0	22,0	20,0	2,0
MFM-1218-08	12,0	+0,050 +0,160	18,0	24,0	8,0	3,0
MFM-1218-10	12,0	+0,050 +0,160	18,0	22,0	10,0	3,0
MFM-1218-12	12,0	+0,050 +0,160	18,0	24,0	12,0	3,0
MFM-1218-15	12,0	+0,050 +0,160	18,0	22,0	15,0	3,0
MFM-1218-20	12,0	+0,050 +0,160	18,0	22,0	20,0	3,0
MFM-1420-07	14,0	+0,050 +0,160	20,0	25,0	7,0	3,0
MFM-1420-10	14,0	+0,050 +0,160	20,0	25,0	10,0	3,0
MFM-1420-15	14,0	+0,050 +0,160	20,0	25,0	15,0	3,0
MFM-1420-20	14,0	+0,050 +0,160	20,0	25,0	20,0	3,0
MFM-1521-10	15,0	+0,050 +0,160	21,0	27,0	10,0	3,0
MFM-1521-15	15,0	+0,050 +0,160	21,0	27,0	15,0	3,0
MFM-1521-20	15,0	+0,050 +0,160	21,0	27,0	20,0	3,0
MFM-1521-25	15,0	+0,050 +0,160	21,0	27,0	25,0	3,0
MFM-1618-12	16,0	+0,050 +0,160	18,0	24,0	12,0	1,0
MFM-1622-12	16,0	+0,050 +0,160	22,0	28,0	12,0	3,0
MFM-1622-15	16,0	+0,050 +0,160	22,0	28,0	15,0	3,0
MFM-1622-20	16,0	+0,050 +0,160	22,0	28,0	20,0	3,0
MFM-1622-25	16,0	+0,050 +0,160	22,0	28,0	25,0	3,0
MFM-1824-08	18,0	+0,050 +0,160	24,0	30,0	8,0	3,0
MFM-1824-12	18,0	+0,050 +0,160	24,0	30,0	12,0	3,0
MFM-1824-18	18,0	+0,050 +0,160	24,0	30,0	18,0	3,0
MFM-1824-20	18,0	+0,050 +0,160	24,0	30,0	20,0	3,0
MFM-1824-30	18,0	+0,050 +0,160	24,0	30,0	30,0	3,0
MFM-182426-078	18,0	+0,050 +0,160	24,0	26,0	7,8	3,0
MFM-192427-12	19,0	+0,065 +0,195	24,0	27,0	12,0	2,0
MFM-2026-15	20,0	+0,065 +0,195	26,0	32,0	15,0	3,0
MFM-2026-20	20,0	+0,065 +0,195	26,0	32,0	20,0	3,0
MFM-202628-12	20,0	+0,065 +0,195	26,0	28,0	12,0	3,0
MFM-2026-30	20,0	+0,065 +0,195	26,0	32,0	30,0	3,0
MFM-2228-15	22,0	+0,065 +0,195	28,0	34,0	15,0	3,0
MFM-2228-20	22,0	+0,065 +0,195	28,0	34,0	20,0	3,0
MFM-2228-30	22,0	+0,065 +0,195	28,0	34,0	30,0	3,0
MFM-2430-15	24,0	+0,065 +0,195	30,0	36,0	15,0	3,0
MFM-2430-20	24,0	+0,065 +0,195	30,0	36,0	20,0	3,0

*after pressfit. Testing methods ► page 1.35

iglidur® M250 – Type F
mm

Phone +49 - 22 03 - 96 49-145
Fax +49 - 22 03 - 96 49-334



Data in mm

Structure – part no.
M F M-2430-30

Chamfer in relation to the d1

d1 [mm]:	Ø 1-6	Ø 6-12	Ø 12-30	Ø > 30
f [mm]:	0,3	0,5	0,8	1,2

Dimensions according to DIN 1850
and special dimensions

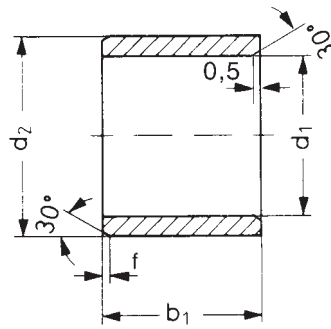
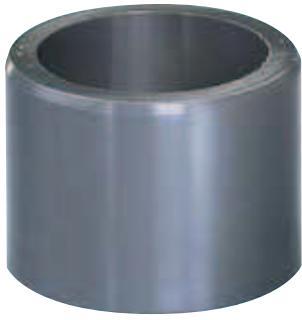
Part Number	d1	d1 Tolerance*	d2	d3		b2
				d13	h13	
MFM-2430-30	24,0	+0,065 +0,195	30,0	36,0	30,0	3,0
MFM-2532-12	25,0	+0,065 +0,195	32,0	38,0	12,0	4,0
MFM-2532-15	25,0	+0,065 +0,195	32,0	38,0	15,0	4,0
MFM-2532-20	25,0	+0,065 +0,195	32,0	38,0	20,0	4,0
MFM-2532-30	25,0	+0,065 +0,195	32,0	38,0	30,0	4,0
MFM-2532-40	25,0	+0,065 +0,195	32,0	38,0	40,0	4,0
MFM-2734-20	27,0	+0,065 +0,195	34,0	40,0	20,0	4,0
MFM-2734-30	27,0	+0,065 +0,195	34,0	40,0	30,0	4,0
MFM-2734-40	27,0	+0,065 +0,195	34,0	40,0	40,0	4,0
MFM-2836-20	28,0	+0,065 +0,195	36,0	42,0	20,0	4,0
MFM-2836-30	28,0	+0,065 +0,195	36,0	42,0	30,0	4,0
MFM-2836-40	28,0	+0,065 +0,195	36,0	42,0	40,0	4,0
MFM-3035-20	30,0	+0,065 +0,195	35,0	44,0	20,0	4,0
MFM-3038-20	30,0	+0,065 +0,195	38,0	44,0	20,0	4,0
MFM-3038-30	30,0	+0,065 +0,195	38,0	44,0	30,0	4,0
MFM-3038-40	30,0	+0,065 +0,195	38,0	44,0	40,0	4,0
MFM-3240-20	32,0	+0,080 +0,240	40,0	46,0	20,0	4,0
MFM-3240-30	32,0	+0,080 +0,240	40,0	46,0	30,0	4,0
MFM-3240-40	32,0	+0,080 +0,240	40,0	46,0	40,0	4,0

*after pressfit. Testing methods ► page 1.35

mm

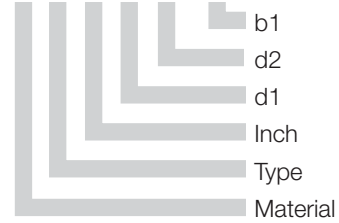
iglidur® M250 – Type F

Phone +49 - 22 03 - 96 49-145
Fax +49 - 22 03 - 96 49-334igus® GmbH
51147 CologneInternet www.igus.de
E-mail info@igus.de



Data in inches

Structure – part no.
MSI-0203-02



Chamfer in relation to the d1

d1 [mm]:	Ø 1-6	Ø 6-12	Ø 12-30	Ø > 30
f [mm]:	0,3	0,5	0,8	1,2

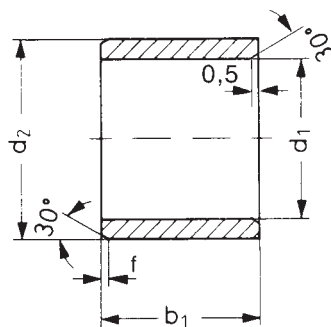
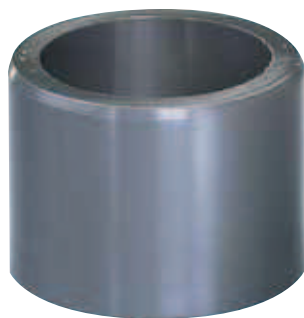
Part Number	d1	d2	b1	d1*		Housing Bore		Shaft Size	
				max.	min.	max.	min.	max.	min.
MSI-0203-02	1/8	3/16	1/8	,1280	,1262	,1990	,1985	,1250	,1241
MSI-0203-04	1/8	3/16	1/4	,1280	,1262	,1990	,1985	,1250	,1241
MSI-0204-02	1/8	1/4	1/8	,1280	,1262	,2515	,2510	,1250	,1241
MSI-0204-03	1/8	1/4	3/16	,1280	,1262	,2515	,2510	,1250	,1241
MSI-0204-04	1/8	1/4	1/4	,1280	,1262	,2515	,2510	,1250	,1241
MSI-0204-06	1/8	1/4	3/8	,1280	,1262	,2515	,2510	,1250	,1241
MSI-0304-04	3/16	1/4	1/4	,1905	,1887	,2515	,2510	,1875	,1866
MSI-0304-06	3/16	1/4	3/8	,1905	,1887	,2515	,2510	,1875	,1866
MSI-0304-08	3/16	1/4	1/2	,1905	,1887	,2515	,2510	,1875	,1866
MSI-0305-02	3/16	5/16	1/8	,1905	,1887	,3140	,3135	,1875	,1866
MSI-0305-03	3/16	5/16	3/16	,1905	,1887	,3140	,3135	,1875	,1866
MSI-0305-04	3/16	5/16	1/4	,1905	,1887	,3140	,3135	,1875	,1866
MSI-0305-05	3/16	5/16	5/16	,1905	,1887	,3140	,3135	,1875	,1866
MSI-0305-06	3/16	5/16	3/8	,1905	,1887	,3140	,3135	,1875	,1866
MSI-0305-08	3/16	5/16	1/2	,1905	,1887	,3140	,3135	,1875	,1866
MSI-0405-03	1/4	5/16	3/16	,2539	,2516	,3140	,3135	,2500	,2491
MSI-0405-06	1/4	5/16	3/8	,2539	,2516	,3140	,3135	,2500	,2491
MSI-0405-08	1/4	5/16	1/2	,2539	,2516	,3140	,3135	,2500	,2491
MSI-0406-02	1/4	3/8	1/8	,2539	,2516	,3765	,3760	,2500	,2491
MSI-0406-03	1/4	3/8	3/16	,2539	,2516	,3765	,3760	,2500	,2491
MSI-0406-04	1/4	3/8	1/4	,2539	,2516	,3765	,3760	,2500	,2491
MSI-0406-05	1/4	3/8	5/16	,2539	,2516	,3765	,3760	,2500	,2491
MSI-0406-06	1/4	3/8	3/8	,2539	,2516	,3765	,3760	,2500	,2491
MSI-0406-08	1/4	3/8	1/2	,2539	,2516	,3765	,3760	,2500	,2491
MSI-0406-10	1/4	3/8	5/8	,2539	,2516	,3765	,3760	,2500	,2491
MSI-0406-12	1/4	3/8	3/4	,2539	,2516	,3765	,3760	,2500	,2491
MSI-0506-04	5/16	3/8	1/4	,3164	,3141	,3765	,3760	,3125	,3116
MSI-0506-06	5/16	3/8	3/8	,3164	,3141	,3765	,3760	,3125	,3116
MSI-0506-08	5/16	3/8	1/2	,3164	,3141	,3765	,3760	,3125	,3116
MSI-0507-03	5/16	7/16	3/16	,3164	,3141	,4390	,4385	,3125	,3116
MSI-0507-04	5/16	7/16	1/4	,3164	,3141	,4390	,4385	,3125	,3116
MSI-0507-05	5/16	7/16	5/16	,3164	,3141	,4390	,4385	,3125	,3116
MSI-0507-06	5/16	7/16	3/8	,3164	,3141	,4390	,4385	,3125	,3116
MSI-0507-08	5/16	7/16	1/2	,3164	,3141	,4390	,4385	,3125	,3116
MSI-0507-10	5/16	7/16	5/8	,3164	,3141	,4390	,4385	,3125	,3116
MSI-0507-12	5/16	7/16	3/4	,3164	,3141	,4390	,4385	,3125	,3116
MSI-0607-04	3/8	7/16	1/4	,3789	,3766	,4390	,4385	,3750	,3741
MSI-0607-06	3/8	7/16	3/8	,3789	,3766	,4390	,4385	,3750	,3741

*after pressfit. Testing methods ► page 1.35

iglidur® M250 – Type S

inch

Phone +49 - 22 03 - 96 49-145
Fax +49 - 22 03 - 96 49-334



Data in inches

Structure – part no.
M S I -0607-08

Chamfer in relation to the d1

d1 [mm]:	Ø 1–6	Ø 6–12	Ø 12–30	Ø > 30
f [mm]:	0,3	0,5	0,8	1,2

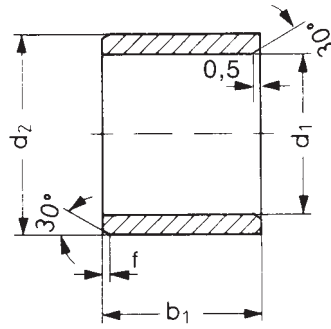
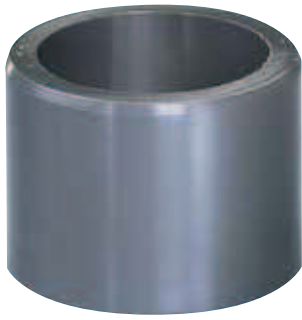
Part Number	d1	d2	b1	d1*		Housing Bore		Shaft Size	
				max.	min.	max.	min.	max.	min.
MSI-0607-08	3/8	7/16	1/2	,3789	,3766	,4390	,4385	,3750	,3741
MSI-0608-04	3/8	1/2	1/4	,3789	,3766	,5015	,5010	,3750	,3741
MSI-0608-05	3/8	1/2	5/16	,3789	,3766	,5015	,5010	,3750	,3741
MSI-0608-06	3/8	1/2	3/8	,3789	,3766	,5015	,5010	,3750	,3741
MSI-0608-08	3/8	1/2	1/2	,3789	,3766	,5015	,5010	,3750	,3741
MSI-0608-10	3/8	1/2	5/8	,3789	,3766	,5015	,5010	,3750	,3741
MSI-0608-12	3/8	1/2	3/4	,3789	,3766	,5015	,5010	,3750	,3741
MSI-0608-16	3/8	1/2	1	,3789	,3766	,5015	,5010	,3750	,3741
MSI-0709-06	7/16	9/16	3/8	,4422	,4395	,5941	,5934	,4375	,4365
MSI-0709-08	7/16	9/16	1/2	,4422	,4395	,5941	,5934	,4375	,4365
MSI-0810-04	1/2	5/8	1/4	,5047	,5020	,6260	,6250	,5000	,4990
MSI-0810-05	1/2	5/8	5/16	,5047	,5020	,6260	,6250	,5000	,4990
MSI-0810-06	1/2	5/8	3/8	,5047	,5020	,6260	,6250	,5000	,4990
MSI-0810-08	1/2	5/8	1/2	,5047	,5020	,6260	,6250	,5000	,4990
MSI-0810-10	1/2	5/8	5/8	,5047	,5020	,6260	,6250	,5000	,4990
MSI-0810-12	1/2	5/8	3/4	,5047	,5020	,6260	,6250	,5000	,4990
MSI-0810-16	1/2	5/8	1	,5047	,5020	,6260	,6250	,5000	,4990
MSI-1012-04	5/8	3/4	1/4	,6297	,6270	,7510	,7500	,6250	,6240
MSI-1012-06	5/8	3/4	3/8	,6297	,6270	,7510	,7500	,6250	,6240
MSI-1012-08	5/8	3/4	1/2	,6297	,6270	,7510	,7500	,6250	,6240
MSI-1012-10	5/8	3/4	5/8	,6297	,6270	,7510	,7500	,6250	,6240
MSI-1012-12	5/8	3/4	3/4	,6297	,6270	,7510	,7500	,6250	,6240
MSI-1012-16	5/8	3/4	1	,6297	,6270	,7510	,7500	,6250	,6240
MSI-1012-26	5/8	3/4	1 5/8	,6297	,6270	,7510	,7500	,6250	,6240
MSI-1013-06	5/8	13/16	3/8	,6297	,6270	,8135	,8125	,6250	,6240
MSI-1013-08	5/8	13/16	1/2	,6297	,6270	,8135	,8125	,6250	,6240
MSI-1013-10	5/8	13/16	5/8	,6297	,6270	,8135	,8125	,6250	,6240
MSI-1013-12	5/8	13/16	3/4	,6297	,6270	,8135	,8125	,6250	,6240
MSI-1013-16	5/8	13/16	1	,6297	,6270	,8135	,8125	,6250	,6240
MSI-1113-12	11/16	13/16	3/4	,6921	,6893	,8135	,8125	,6875	,6865
MSI-1113-14	11/16	13/16	7/8	,6921	,6893	,8135	,8125	,6875	,6865
MSI-1113-16	11/16	13/16	1	,6922	,6900	,8135	,8125	,6875	,6865
MSI-1214-06	3/4	7/8	3/8	,7559	,7525	,8760	,8750	,7500	,7490
MSI-1214-12	3/4	7/8	3/4	,7559	,7525	,8760	,8750	,7500	,7490
MSI-1214-16	3/4	7/8	1	,7559	,7525	,8760	,8750	,7500	,7490
MSI-1214-24	3/4	7/8	1 1/2	,7559	,7525	,8760	,8750	,7500	,7490
MSI-1216-06	3/4	1	3/8	,7559	,7525	1,0010	1,0000	,7500	,7490
MSI-1216-08	3/4	1	1/2	,7559	,7525	1,0010	1,0000	,7500	,7490

*after pressfit. Testing methods ► page 1.35

inch

iglidur® M250 – Type S

Phone +49 - 22 03 - 96 49-145
Fax +49 - 22 03 - 96 49-334igus® GmbH
51147 CologneInternet www.igus.de
E-mail info@igus.de



Data in inches

Structure – part no.
MSI-1216-10



Chamfer in relation to the d1

d1 [mm]:	Ø 1-6	Ø 6-12	Ø 12-30	Ø > 30
f [mm]:	0,3	0,5	0,8	1,2

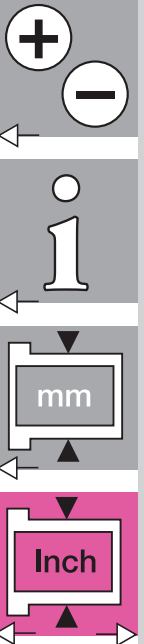
Part Number	d1	d2	b1	d1*		Housing Bore		Shaft Size	
				max.	min.	max.	min.	max.	min.
MSI-1216-10	3/4	1	5/8	,7559	,7525	1,0010	1,0000	,7500	,7490
MSI-1216-12	3/4	1	3/4	,7559	,7525	1,0010	1,0000	,7500	,7490
MSI-1216-16	3/4	1	1	,7559	,7525	1,0010	1,0000	,7500	,7490
MSI-1216-20	3/4	1	1 1/4	,7559	,7525	1,0010	1,0000	,7500	,7490
MSI-1216-24	3/4	1	1 1/2	,7559	,7525	1,0010	1,0000	,7500	,7490
MSI-1316-08	13/16	1	1/2	,8184	,8151	1,0010	1,0000	,8126	,8116
MSI-1416-12	7/8	1	3/4	,8809	,8775	1,0010	1,0000	,8750	,8740
MSI-1416-16	7/8	1	1	,8809	,8775	1,0010	1,0000	,8750	,8740
MSI-1416-24	7/8	1	1 1/2	,8809	,8775	1,0010	1,0000	,8750	,8740
MSI-1418-08	7/8	1 1/8	1/2	,8809	,8775	1,1260	1,1250	,8750	,8740
MSI-1418-12	7/8	1 1/8	3/4	,8809	,8775	1,1260	1,1250	,8750	,8740
MSI-1418-16	7/8	1 1/8	1	,8809	,8775	1,1260	1,1250	,8750	,8740
MSI-1418-24	7/8	1 1/8	1 1/2	,8809	,8775	1,1260	1,1250	,8750	,8740
MSI-1618-12	1	1 1/8	3/4	1,0059	1,0025	1,1260	1,1250	1,0000	,9990
MSI-1618-16	1	1 1/8	1	1,0059	1,0025	1,1260	1,1250	1,0000	,9990
MSI-1618-24	1	1 1/8	1 1/2	1,0059	1,0025	1,1260	1,1250	1,0000	,9990
MSI-1620-08	1	1 1/4	1/2	1,0059	1,0025	1,2510	1,2500	1,0000	,9990
MSI-1620-10	1	1 1/4	5/8	1,0059	1,0025	1,2510	1,2500	1,0000	,9990
MSI-1620-12	1	1 1/4	3/4	1,0059	1,0025	1,2510	1,2500	1,0000	,9990
MSI-1620-16	1	1 1/4	1	1,0059	1,0025	1,2510	1,2500	1,0000	,9990
MSI-1620-24	1	1 1/4	1 1/2	1,0059	1,0025	1,2510	1,2500	1,0000	,9990
MSI-1620-32	1	1 1/4	2	1,0059	1,0025	1,2510	1,2500	1,0000	,9990
MSI-1822-16	1 1/8	1 3/8	1	1,1309	1,1275	1,3760	1,3750	1,1250	1,1240
MSI-1822-24	1 1/8	1 3/8	1 1/2	1,1309	1,1275	1,3760	1,3750	1,1250	1,1240
MSI-2024-12	1 1/4	1 1/2	3/4	1,2600	1,2531	1,5005	1,4995	1,2500	1,2490
MSI-2024-16	1 1/4	1 1/2	1	1,2600	1,2531	1,5005	1,4995	1,2500	1,2490
MSI-2024-22	1 1/4	1 1/2	1 3/8	1,2600	1,2531	1,5005	1,4995	1,2500	1,2490
MSI-2024-24	1 1/4	1 1/2	1 1/2	1,2600	1,2531	1,5005	1,4995	1,2500	1,2490
MSI-2024-40	1 1/4	1 1/2	2 1/2	1,2600	1,2531	1,5005	1,4995	1,2500	1,2490
MSI-2226-16	1 3/8	1 5/8	1	1,3850	1,3182	1,6255	1,6245	1,3750	1,3740
MSI-2428-12	1 1/2	1 3/4	3/4	1,5100	1,5032	1,7505	1,7495	1,5000	1,4990
MSI-2428-16	1 1/2	1 3/4	1	1,5100	1,5032	1,7505	1,7495	1,5000	1,4990
MSI-2428-24	1 1/2	1 3/4	1 1/2	1,5100	1,5032	1,7505	1,7495	1,5000	1,4990
MSI-2428-40	1 1/2	1 3/4	2 1/2	1,5100	1,5032	1,7505	1,7495	1,5000	1,4990
MSI-2630-16	1 5/8	1 7/8	1	1,6350	1,6282	1,8755	1,8745	1,6250	1,6240
MSI-2832-08	1 3/4	2	1/2	1,7560	1,7532	2,0005	1,9995	1,7500	1,7490
MSI-2832-12	1 3/4	2	3/4	1,7560	1,7532	2,0005	1,9995	1,7500	1,7490
MSI-2832-16	1 3/4	2	1	1,7560	1,7532	2,0005	1,9995	1,7500	1,7490

*after pressfit. Testing methods ► page 1.35

iglidur® M250 – Type S

inch

Phone +49 - 22 03 - 96 49-145
Fax +49 - 22 03 - 96 49-334

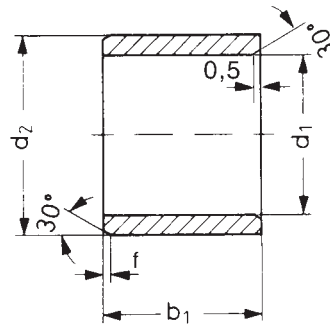
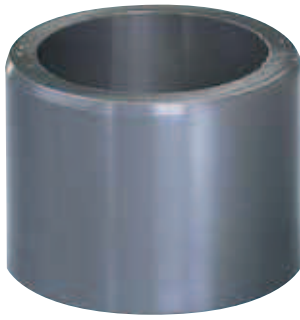


inch

iglidur® M250 – Type S

Phone +49 - 22 03 - 96 49-145
Fax +49 - 22 03 - 96 49-334igus® GmbH
51147 CologneInternet www.igus.de
E-mail info@igus.de

4.16



Data in inches

Structure – part no.

MSI-2832-24



Chamfer in relation to the d1

d1 [mm]: Ø 1–6 | Ø 6–12 | Ø 12–30 | Ø > 30

f [mm]: 0,3 | 0,5 | 0,8 | 1,2

Part Number	d1	d2	b1	d1*		Housing Bore		Shaft Size	
				max.	min.	max.	min.	max.	min.
MSI-2832-24	1 3/4	2	1 1/2	1,7560	1,7532	2,0005	1,9995	1,7500	1,7490
MSI-2832-40	1 3/4	2	2 1/2	1,7560	1,7532	2,0005	1,9995	1,7500	1,7490
MSI-3236-16	2	2 1/4	1	2,0100	2,0032	2,2505	2,2495	2,0000	1,9990
MSI-3236-24	2	2 1/4	1 1/2	2,0100	2,0032	2,2505	2,2495	2,0000	1,9990
MSI-3236-32	2	2 1/4	2	2,0100	2,0032	2,2505	2,2495	2,0000	1,9990
MSI-3236-40	2	2 1/4	2 1/2	2,0100	2,0032	2,2505	2,2495	2,0000	1,9990
MSI-4852-16	3	3 1/4	1	3,0114	3,0039	3,2505	3,2495	3,0000	2,9990

*after pressfit. Testing methods ► page 1.35

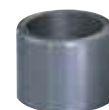
Order example

Our price breaks are defined by the order quantity.

1– 9	25–49	100–199	500– 999	2500–4999
10–24	50–99	200–499	1000–2499	

For the current prices please visit the igus®-Homepage www.igus.de/en

No minimum order quantities, no surcharges.



Type S

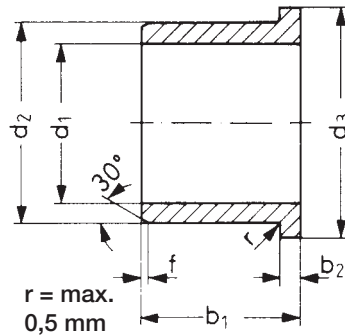


Type F



Type T

Lifetime calculation, CAD files and much more support ► www.igus.de/en/m250



Data in inches

Structure – part no.
M F I -0203-02



Chamfer in relation to the d1

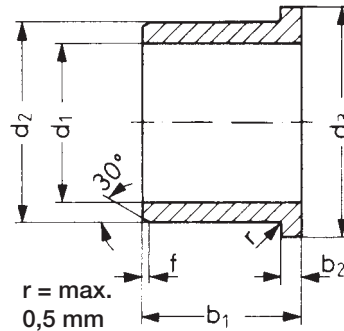
d1 [mm]:	Ø 1-6	Ø 6-12	Ø 12-30	Ø > 30
f [mm]:	0,3	0,5	0,8	1,2

Part Number	d1	d2	b1	d3	b2	d1*		Housing Bore		Shaft Size	
						max.	min.	max.	min.	max.	min.
MFI-0203-02	1/8	3/16	1/8	,3125	,032	,1280	,1262	,1885	,1880	,1250	,1241
MFI-0203-04	1/8	3/16	1/4	,3125	,032	,1280	,1262	,1885	,1880	,1250	,1241
MFI-0204-02	1/8	1/4	1/8	,360	,047	,1280	,1262	,2515	,2510	,1250	,1241
MFI-0204-03	1/8	1/4	3/16	,360	,047	,1280	,1262	,2515	,2510	,1250	,1241
MFI-0204-04	1/8	1/4	1/4	,360	,047	,1280	,1262	,2515	,2510	,1250	,1241
MFI-0204-06	1/8	1/4	3/8	,360	,047	,1280	,1262	,2515	,2510	,1250	,1241
MFI-0204-12	1/8	1/4	3/4	,360	,047	,1280	,1262	,2515	,2510	,1250	,1241
MFI-0304-04	3/16	1/4	1/4	,375	,032	,1905	,1887	,2515	,2510	,1875	,1866
MFI-0304-06	3/16	1/4	3/8	,375	,032	,1905	,1887	,2515	,2510	,1875	,1866
MFI-0304-08	3/16	1/4	1/2	,375	,032	,1905	,1887	,2515	,2510	,1875	,1866
MFI-0305-03	3/16	5/16	3/16	,370	,047	,1905	,1887	,3140	,3135	,1875	,1866
MFI-0305-04	3/16	5/16	1/4	,370	,047	,1905	,1887	,3140	,3135	,1875	,1866
MFI-0305-05	3/16	5/16	5/16	,370	,047	,1905	,1887	,3140	,3135	,1875	,1866
MFI-0305-06	3/16	5/16	3/8	,370	,047	,1905	,1887	,3140	,3135	,1875	,1866
MFI-0305-08	3/16	5/16	1/2	,370	,047	,1905	,1887	,3140	,3135	,1875	,1866
MFI-0405-03	1/4	5/16	3/16	,4375	,047	,2539	,2516	,3140	,3135	,2500	,2491
MFI-0405-04	1/4	5/16	1/4	,4375	,032	,2539	,2516	,3140	,3135	,2500	,2491
MFI-0405-06	1/4	5/16	3/8	,4375	,032	,2539	,2516	,3140	,3135	,2500	,2491
MFI-0405-07	1/4	5/16	7/16	,4375	,047	,2539	,2516	,3140	,3135	,2500	,2491
MFI-0405-08	1/4	5/16	1/2	,4375	,032	,2539	,2516	,3140	,3135	,2500	,2491
MFI-0405-12	1/4	5/16	3/4	,4375	,047	,2539	,2516	,3140	,3135	,2500	,2491
MFI-0406-02	1/4	3/8	1/8	,560	,047	,2539	,2516	,3765	,3760	,2500	,2491
MFI-0406-03	1/4	3/8	3/16	,560	,047	,2539	,2516	,3765	,3760	,2500	,2491
MFI-0406-04	1/4	3/8	1/4	,560	,047	,2539	,2516	,3765	,3760	,2500	,2491
MFI-0406-06	1/4	3/8	3/8	,560	,047	,2539	,2516	,3765	,3760	,2500	,2491
MFI-0406-08	1/4	3/8	1/2	,560	,047	,2539	,2516	,3765	,3760	,2500	,2491
MFI-0406-10	1/4	3/8	5/8	,560	,047	,2539	,2516	,3765	,3760	,2500	,2491
MFI-0406-12	1/4	3/8	3/4	,560	,047	,2539	,2516	,3765	,3760	,2500	,2491
MFI-0506-04	5/16	3/8	1/4	,500	,032	,3164	,3141	,3765	,3760	,3125	,3116
MFI-0506-06	5/16	3/8	3/8	,500	,032	,3164	,3141	,3765	,3760	,3125	,3116
MFI-0506-08	5/16	3/8	1/2	,500	,032	,3164	,3141	,3765	,3760	,3125	,3116
MFI-0506-15	5/16	3/8	15/16	,500	,032	,3164	,3141	,3765	,3760	,3125	,3116
MFI-0507-03	5/16	7/16	3/16	,560	,062	,3164	,3141	,4390	,4385	,3125	,3116
MFI-0507-04	5/16	7/16	1/4	,560	,062	,3164	,3141	,4390	,4385	,3125	,3116
MFI-0507-05	5/16	7/16	5/16	,560	,062	,3164	,3141	,4390	,4385	,3125	,3116
MFI-0507-06	5/16	7/16	3/8	,560	,062	,3164	,3141	,4390	,4385	,3125	,3116
MFI-0507-08	5/16	7/16	1/2	,560	,062	,3164	,3141	,4390	,4385	,3125	,3116
MFI-0507-10	5/16	7/16	5/8	,560	,062	,3164	,3141	,4390	,4385	,3125	,3116

*after pressfit. Testing methods ► page 1.35

iglidur® M250 – Type F
inch

Phone +49 - 22 03 - 96 49-145
Fax +49 - 22 03 - 96 49-334



Data in inches

 Structure – part no.
M F I -0507-12


Chamfer in relation to the d1

d1 [mm]: Ø 1-6 | Ø 6-12 | Ø 12-30 | Ø > 30

f [mm]: 0,3 | 0,5 | 0,8 | 1,2

Part Number	d1	d2	b1	d3	b2	d1*		Housing Bore		Shaft Size	
						max.	min.	max.	min.	max.	min.
MFI-0507-12	5/16	7/16	3/4	,560	,062	,3164	,3141	,4390	,4385	,3125	,3116
MFI-0607-04	3/8	7/16	1/4	,5625	,032	,3789	,3766	,4390	,4385	,3750	,3741
MFI-0607-06	3/8	7/16	3/8	,5625	,032	,3789	,3766	,4390	,4385	,3750	,3741
MFI-0607-08	3/8	7/16	1/2	,5625	,032	,3789	,3766	,4390	,4385	,3750	,3741
MFI-0608-02	3/8	1/2	1/8	,625	,062	,3789	,3766	,5015	,5010	,3750	,3741
MFI-0608-03	3/8	1/2	3/16	,625	,062	,3789	,3766	,5015	,5010	,3750	,3741
MFI-0608-04	3/8	1/2	1/4	,625	,062	,3789	,3766	,5015	,5010	,3750	,3741
MFI-0608-05	3/8	1/2	5/16	,625	,062	,3789	,3766	,5015	,5010	,3750	,3741
MFI-0608-06	3/8	1/2	3/8	,625	,062	,3789	,3766	,5015	,5010	,3750	,3741
MFI-0608-08	3/8	1/2	1/2	,625	,062	,3789	,3766	,5015	,5010	,3750	,3741
MFI-0608-10	3/8	1/2	5/8	,625	,062	,3789	,3766	,5015	,5010	,3750	,3741
MFI-0608-12	3/8	1/2	3/4	,625	,062	,3789	,3766	,5015	,5010	,3750	,3741
MFI-0608-16	3/8	1/2	1	,625	,062	,3789	,3766	,5015	,5010	,3750	,3741
MFI-0709-06	7/16	9/16	3/8	,687	,062	,4422	,4395	,5941	,5934	,4375	,4365
MFI-0709-08	7/16	9/16	1/2	,687	,062	,4422	,4395	,5941	,5934	,4375	,4365
MFI-0810-02	1/2	5/8	1/8	,875	,062	,5047	,5020	,6260	,6250	,5000	,4990
MFI-0810-04	1/2	5/8	1/4	,875	,062	,5047	,5020	,6260	,6250	,5000	,4990
MFI-0810-05	1/2	5/8	5/16	,875	,062	,5047	,5020	,6260	,6250	,5000	,4990
MFI-0810-06	1/2	5/8	3/8	,875	,062	,5047	,5020	,6260	,6250	,5000	,4990
MFI-0810-08	1/2	5/8	1/2	,875	,062	,5047	,5020	,6260	,6250	,5000	,4990
MFI-0810-10	1/2	5/8	5/8	,875	,062	,5047	,5020	,6260	,6250	,5000	,4990
MFI-0810-12	1/2	5/8	3/4	,875	,062	,5047	,5020	,6260	,6250	,5000	,4990
MFI-0810-16	1/2	5/8	1	,875	,062	,5047	,5020	,6260	,6250	,5000	,4990
MFI-1012-06	5/8	3/4	3/8	1,000	,062	,6297	,6270	,7510	,7500	,6250	,6240
MFI-1012-08	5/8	3/4	1/2	1,000	,062	,6297	,6270	,7510	,7500	,6250	,6240
MFI-1012-10	5/8	3/4	5/8	1,000	,062	,6297	,6270	,7510	,7500	,6250	,6240
MFI-1012-12	5/8	3/4	3/4	1,000	,062	,6297	,6270	,7510	,7500	,6250	,6240
MFI-1012-16	5/8	3/4	1	1,000	,062	,6297	,6270	,7510	,7500	,6250	,6240
MFI-1012-24	5/8	3/4	1 1/2	1,000	,062	,6297	,6270	,7510	,7500	,6250	,6240
MFI-1013-08	5/8	13/16	1/2	1,063	,062	,6297	,6270	,8135	,8125	,6250	,6240
MFI-1013-10	5/8	13/16	5/8	1,063	,062	,6297	,6270	,8135	,8125	,6250	,6240
MFI-1013-12	5/8	13/16	3/4	1,063	,062	,6297	,6270	,8135	,8125	,6250	,6240
MFI-1013-16	5/8	13/16	1	1,063	,062	,6297	,6270	,8135	,8125	,6250	,6240
MFI-1214-06	3/4	7/8	3/8	1,125	,062	,7559	,7525	,8760	,8750	,6250	,6240
MFI-1214-08	3/4	7/8	1/2	1,125	,062	,7559	,7525	,8760	,8750	,6250	,6240
MFI-1214-12	3/4	7/8	3/4	1,125	,062	,7559	,7525	,8760	,8750	,7500	,7490
MFI-1214-16	3/4	7/8	1	1,125	,062	,7559	,7525	,8760	,8750	,7500	,7490
MFI-1214-24	3/4	7/8	1 1/2	1,125	,062	,7559	,7525	,8760	,8750	,7500	,7490

*after pressfit. Testing methods ► page 1.35

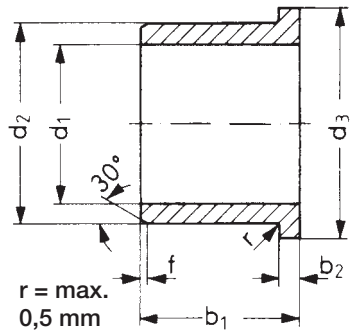
inch

iglidur® M250 – Type F

 Phone +49 - 22 03 - 96 49-145
 Fax +49 - 22 03 - 96 49-334

 igus® GmbH
 51147 Cologne

 Internet www.igus.de
 E-mail info@igus.de



Data in inches

Structure – part no.
MFI-1216-08



Chamfer in relation to the d1

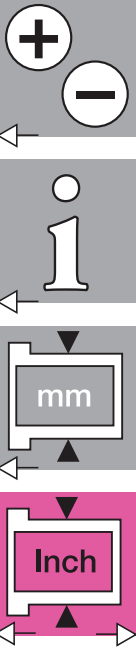
d1 [mm]:	Ø 1-6	Ø 6-12	Ø 12-30	Ø > 30
f [mm]:	0,3	0,5	0,8	1,2

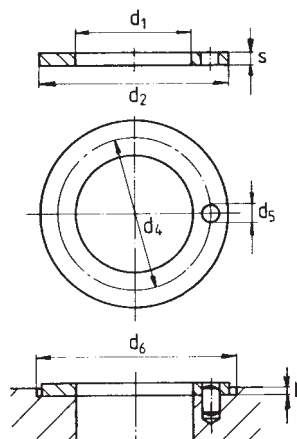
Part Number	d1	d2	b1	d3	b2	d1*		Housing Bore		Shaft Size	
						max.	min.	max.	min.	max.	min.
MFI-1216-08	3/4	1	1/2	1,250	,156	,7559	,7525	1,0010	1,0000	,7500	,7490
MFI-1216-10	3/4	1	5/8	1,250	,156	,7559	,7525	1,0010	1,0000	,7500	,7490
MFI-1216-12	3/4	1	3/4	1,250	,156	,7559	,7525	1,0010	1,0000	,7500	,7490
MFI-1216-16	3/4	1	1	1,250	,156	,7559	,7525	1,0010	1,0000	,7500	,7490
MFI-1216-24	3/4	1	1 1/2	1,250	,156	,7559	,7525	1,0010	1,0000	,7500	,7490
MFI-1416-12	7/8	1	3/4	1,250	,062	,8809	,8775	1,0010	1,0000	,8750	,8740
MFI-1416-16	7/8	1	1	1,250	,062	,8809	,8775	1,0010	1,0000	,8750	,8740
MFI-1416-24	7/8	1	1 1/2	1,250	,062	,8809	,8775	1,0010	1,0000	,8750	,8740
MFI-1418-08	7/8	1 1/8	1/2	1,375	,156	,8809	,8775	1,1260	1,1250	,8750	,8740
MFI-1418-12	7/8	1 1/8	3/4	1,375	,156	,8809	,8775	1,1260	1,1250	,8750	,8740
MFI-1418-16	7/8	1 1/8	1	1,375	,156	,8809	,8775	1,1260	1,1250	,8750	,8740
MFI-1418-24	7/8	1 1/8	1 1/2	1,375	,156	,8809	,8775	1,1260	1,1250	,8750	,8740
MFI-1618-03	1	1 1/8	3/16	1,375	,062	1,0059	1,0025	1,1260	1,1250	1,0000	,9990
MFI-1618-12	1	1 1/8	3/4	1,375	,062	1,0059	1,0025	1,1260	1,1250	1,0000	,9990
MFI-1618-16	1	1 1/8	1	1,375	,062	1,0059	1,0025	1,1260	1,1250	1,0000	,9990
MFI-1618-24	1	1 1/8	1 1/2	1,375	,062	1,0059	1,0025	1,1260	1,1250	1,0000	,9990
MFI-1620-08	1	1 1/4	1/2	1,500	,188	1,0059	1,0025	1,2510	1,2500	1,0000	,9990
MFI-1620-10	1	1 1/4	5/8	1,500	,188	1,0059	1,0025	1,2510	1,2500	1,0000	,9990
MFI-1620-12	1	1 1/4	3/4	1,500	,188	1,0059	1,0025	1,2510	1,2500	1,0000	,9990
MFI-1620-16	1	1 1/4	1	1,500	,188	1,0059	1,0025	1,2510	1,2500	1,0000	,9990
MFI-1620-24	1	1 1/4	1 1/2	1,500	,188	1,0059	1,0025	1,2510	1,2500	1,0000	,9990
MFI-2024-07	1 1/4	1 1/2	7/16	1,750	,200	1,2600	1,2531	1,5005	1,4995	1,2500	1,2490
MFI-2024-12	1 1/4	1 1/2	3/4	1,750	,200	1,2600	1,2531	1,5005	1,4995	1,2500	1,2490
MFI-2024-16	1 1/4	1 1/2	1	1,750	,200	1,2600	1,2531	1,5005	1,4995	1,2500	1,2490
MFI-2024-24	1 1/4	1 1/2	1 1/2	1,750	,200	1,2600	1,2531	1,5005	1,4995	1,2500	1,2490
MFI-2226-12	1 3/8	1 5/8	3/4	1,875	,125	1,3850	1,3182	1,6255	1,6245	1,3750	1,3740
MFI-2226-16	1 3/8	1 5/8	1	1,875	,125	1,3850	1,3182	1,6255	1,6245	1,3750	1,3740
MFI-2428-12	1 1/2	1 3/4	3/4	2,000	,125	1,5100	1,5032	1,7505	1,7495	1,5000	1,4990
MFI-2428-16	1 1/2	1 3/4	1	2,000	,125	1,5100	1,5032	1,7505	1,7495	1,5000	1,4990
MFI-2428-24	1 1/2	1 3/4	1 1/2	2,000	,125	1,5100	1,5032	1,7505	1,7495	1,5000	1,4990
MFI-2630-16	1 5/8	1 7/8	1	2,125	,125	1,6350	1,6282	1,8755	1,8745	1,6250	1,6240
MFI-2832-12	1 3/4	2	3/4	2,250	,125	1,7560	1,7532	2,0005	1,9995	1,7500	1,7490
MFI-2832-16	1 3/4	2	1	2,250	,125	1,7560	1,7532	2,0005	1,9995	1,7500	1,7490
MFI-2832-24	1 3/4	2	1 1/2	2,250	,125	1,7560	1,7532	2,0005	1,9995	1,7500	1,7490
MFI-3236-16	2	2 1/4	1	2,500	,125	2,0100	2,0032	2,5550	2,2540	2,0000	1,9990
MFI-3236-24	2	2 1/4	1 1/2	2,500	,125	2,0100	2,0032	2,5550	2,2540	2,0000	1,9990
MFI-3236-32	2	2 1/4	2	2,500	,125	2,0100	2,0032	2,5550	2,2540	2,0000	1,9990

*after pressfit. Testing methods ► page 1.35

iglidur® M250 – Type F
inch

Phone +49 - 22 03 - 96 49-145
Fax +49 - 22 03 - 96 49-334





Data in inches

Structure – part no.

MT I -04



d1

Inch

Type

Material

inch

iglidur® M250 – Type T

Phone +49 - 22 03 - 96 49-145
 Fax +49 - 22 03 - 96 49-334

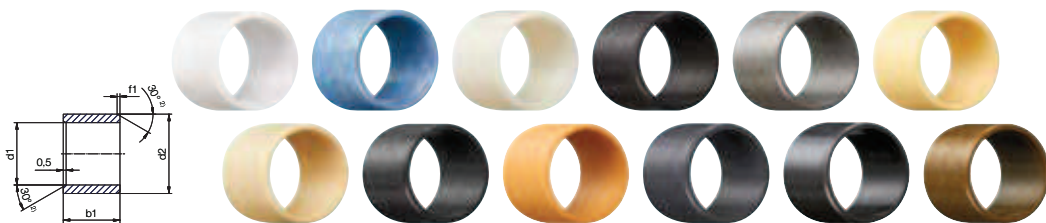
igus® GmbH
 51147 Cologne

Internet www.igus.de
 E-mail info@igus.de

4.20

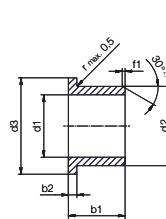
Part Number	d1 (nominal)	d1*		d2		s
		max.	min.	max.	min.	
MTI-04	1/4	,2609	,2550	,6200	,6094	,0900
MTI-05	5/16	,3271	,3189	,6874	,6767	,0900
MTI-06	3/8	,3850	,3780	,7409	,7394	,0900
MTI-08	1/2	,5101	,5030	,8200	,8070	,0900
MTI-10	5/8	,6371	,6300	1,0000	,9870	,0940
MTI-12	3/4	,7675	,7600	1,0630	1,0500	,0940
MTI-16	1	1,0200	1,0100	1,5000	1,4843	,1250
MTI-20	1 1/4	1,2998	1,2900	2,1400	2,1220	,0980
MTI-24	1 1/2	1,6000	1,5500	2,6000	2,5500	,1250

*after pressfit. Testing methods ► page 1.35



Dimensions sleeve Abmessungen zylindrisch [mm]

Part No. Art.-Nr.	d1	d1 tolerance d1-Toleranz	d2	b1 h13
A180SM-0810-15	8.0	+0.025 +0.083	10.0	15.0
A350SM-1416-12	14.0	+0.016 +0.068	16.0	12.0
C500SM-3034-30	30.0	+0.020 +0.104	34.0	30.0
F2SM-1214-15	12.0	+0.032 +0.102	14.0	15.0
F2SM-1618-20	16.0	+0.032 +0.102	18.0	20.0
GSM-0406-06	4.0	+0.020 +0.068	6.0	6.0
GSM-0810-36	8.0	+0.025 +0.083	10.0	36.0
GSM-120125-78	120.0	+0.072 +0.212	125.0	78.0
GSM-1214-45	12.0	+0.032 +0.102	14.0	45.0
GSM-1820-30	18.0	+0.032 +0.102	20.0	30.0
GSM-1822-15	18.0	+0.032 +0.102	22.0	15.0
GSM-2021-095	20.0	+0.020 +0.072	21.0	9.5
JSM-0814-08	8.0	+0.040 +0.130	14.0	8.0
JSM-1216-06	12.0	+0.050 +0.0160	16.0	6.0
JSM-1218-10	12.0	+0.050 +0.0160	18.0	10.0
JSM-1315-06	13.0	+0.050 +0.0160	15.0	6.0
JSM-1620-20	16.0	+0.050 +0.0160	20.0	20.0
JSM-6065-100	60.0	+0.060 +0.180	65.0	100.0
MSM-1620-10	16.0	+0.050 +0.0160	20.0	10.0
P210SM-1214-04	12.0	+0.032 +0.102	14.0	4.0
PSM-0608-05	6.0	+0.020 +0.068	8.0	5.0
PSM-0812-10	8.0	+0.040 +0.130	12.0	10.0
PSM-3236-15	32.0	+0.050 +0.150	36.0	15.0
Q2SM-1012-04	10.0	+0.025 +0.083	12.0	4.0
Q2SM-4246-52	42.0	+0.050 +0.150	46.0	52.0
X6SM-1416-22	14.0	+0.016 +0.086	16.0	22.0
X6SM-1618-12	16.0	+0.016 +0.086	18.0	12.0
X6SM-2023-15	20.0	+0.020 +0.104	23.0	15.0
ZSM-2225-35	22.0	+0.020 +0.104	25.0	35.0
ZSM-6065-25	60.0	+0.030 +0.150	65.0	25.0
ZSM-9095-100	90.0	+0.036 +0.176	95.0	100.0



Dimensions with flange Abmessungen mit Bund [mm]

Part No. Art.-Nr.	d1	d1 tolerance d1-Toleranz	d2	d3	b1 h13	b2
GFM-060710-06	6.0	+0.010 +0.040	7.0	10.0	6.0	0.5
GFM-0812-16	8.0	+0.040 +0.130	12.0	16.0	16.0	2.0
GFM-101115-03	10.0	+0.013 +0.046	11.0	15.0	3.0	1.0
GFM-1012-11	10.0	+0.025 +0.083	12.0	18.0	11.0	1.0
GFM-1012-25	10.0	+0.025 +0.083	12.0	18.0	25.0	1.0
GFM-1719-07	17.0	+0.032 +0.102	19.0	25.0	7.0	1.0
GFM-2527-12	25.0	+0.040 +0.124	27.0	32.0	12.0	1.0
GFM-2527-15	25.0	+0.040 +0.124	27.0	32.0	15.0	1.0
GFM-3034-12	30.0	+0.040 +0.124	34.0	42.0	12.0	2.0
GFM-303440-07	30.0	+0.040 +0.124	34.0	40.0	7.0	2.0
H1FM-0405-06	4.0	+0.010 +0.058	5.5	9.5	6.0	0.8
J350FM-6065-50	60.0	+0.030 +0.150	65.0	73.0	50.0	2.0
J3FM-081418-15	8.0	+0.025 +0.083	14.0	18.0	15.0	2.0
JFM-040810-15	4.0	+0.020 +0.068	8.0	10.0	15.0	2.0
JFM-0810-03	8.0	+0.025 +0.083	10.0	15.0	3.0	1.0
JFM-121419-06	12.0	+0.032 +0.102	14.0	19.0	6.0	1.0
JFM-121622-20	12.0	+0.050 +0.0160	16.0	22.0	20.0	2.0
JFM-2023-07	20.0	+0.040 +0.124	23.0	30.0	7.0	1.5
PFM-1214-08	12.0	+0.032 +0.102	14.0	8.0	20.0	1.0
PFM-1618-08	16.0	+0.032 +0.102	18.0	8.0	24.0	1.0
P210FM-0405-06	4.0	+0.020 +0.068	5.5	9.5	6.0	0.8
Q290FM-8085-100	80.0	+0.060 +0.180	85.0	93.0	100.0	2.5
Q2FM-101219-13	10.0	+0.025 +0.083	12.0	19.0	13.0	1.0
Q2FM-1013-05	10.0	+0.025 +0.083	13.0	20.0	5.0	1.0
Q2FM-2023-07	20.0	+0.040 +0.124	23.0	30.0	7.0	1.5
QFM-101215-04	10.0	+0.025 +0.083	12.0	15.0	4.0	1.0
QFM-121418-06	12.0	+0.032 +0.102	14.0	18.0	6.0	1.0
WFM-2023-08	20.0	+0.040 +0.124	23.0	30.0	8.0	1.5
XFM-1214-50	12.0	+0.016 +0.086	14.0	50.0	20.0	1.0
X6FM-0608-04	6.0	+0.010 +0.058	8.0	12.0	4.0	1.0
ZFM-1012-25	10.0	+0.013 +0.071	12.0	18.0	25.0	1.0
ZFM-2023-075	20.0	+0.020 +0.104	23.0	30.0	7.5	1.5

Calculate online Online berechenbar
www.igus.eu/iglidur-experte
www.igus.de/iglidur-expert

Available Lieferbar
 from stock ab Lager

www.igus.de/iglidur
www.igus.eu/iglidur

Calculate online Online berechenbar
www.igus.eu/iglidur-experte
www.igus.de/iglidur-expert

Available Lieferbar
 from stock ab Lager

www.igus.de/iglidur
www.igus.eu/iglidur