

● ● ● Price index



Upon request: Cleanroom Class 1
(ISO class 3) tested by the Dryden
Engineering Company, California



UL94-V2 classifications
upon request



Low-noise



"Zipper-fast" opening and closing



When to use the Series R07:

- If extremely quick, zipper-like access to cables is required
- If chip protection is required
- If quick, easy insertion of cables with preassembled connectors is required
- If aesthetic design is required



When not to use it:

- If opening of the link is not necessary
▶ Series 06 E2 micro, page 5.26
- If cable installation without opening lids is possible
▶ Series E06 Easy Chain®, page 3.20

- 1 "Zipper-fast" opening and closing
- 2 Small pitch for low-noise, smooth operation
- 3 For high acceleration
- 4 Light weight
- 5 Zipper lids can be separated and joined at each chain link
- 6 Protection against dirt and chips
- 7 Mounting bracket with integrated strain relief
- 8 Smallest zip-open E-Tube
- 9 Also available as "Zipper" E-Chain® Series 07 ▶ page 4.10



Order example complete E-Tube

Please indicate tube-lengths or number of links Example: 1 m or 50 links

1 m R07.20.038.0



E-Tube

1 set 060.20.12PZ



Mounting bracket

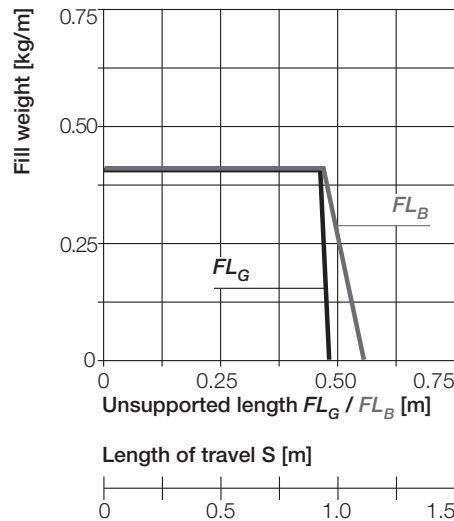
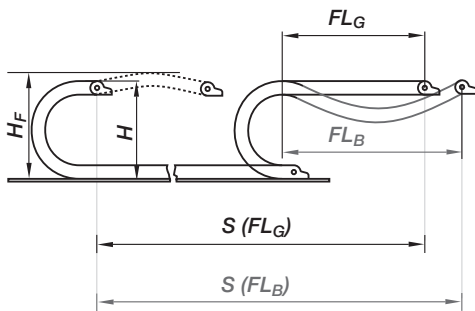


Unsupported length

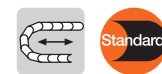
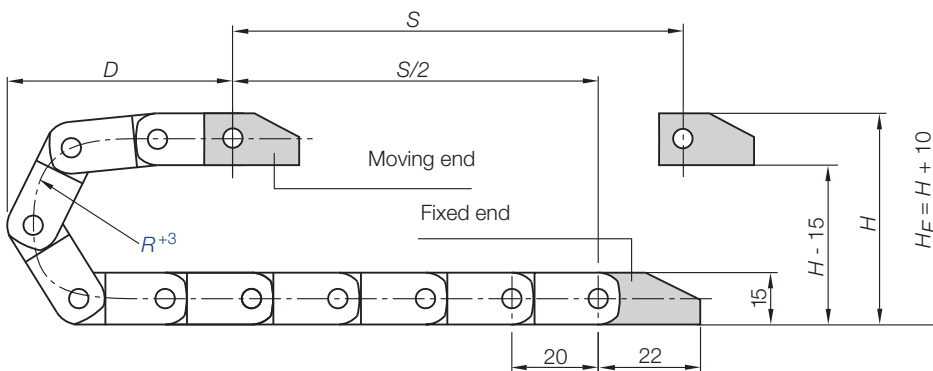
FL_G = with straight upper run

FL_B = with permitted sag

Further information ► **Design, page 1.12**



- S = Length of travel
- R = Bending radius
- H = Nominal clearance height
- H_F = Required clearance height
- D = Overlength E-Chain® radius in final position
- $K = \pi \cdot R + \text{"safety"}$



Short travels - unsupported

Unsupported E-Chains® feature positive camber over short travels. This must be accounted for when specifying the clearance height H_F . Please consult igus® if space is particularly restricted.

Pitch = 20 mm/link Links/m = 50 (1.000 mm) Chain length = $S/2 + K$

R	038	048
H	92	112
D	65	75
K	160	190

The required clearance height:
 $H_F = H + 10$ mm
 (with 0,2 kg/m fill weight)



Zipper EE-Tubes
 Inner height: 10,3 mm

Phone +49- (0) 22 03-96 49-800
 Fax +49- (0) 22 03-96 49-222



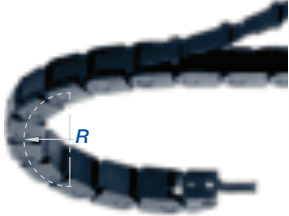
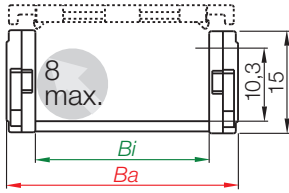
► page 4.5

Speed / acceleration FL_G	max. 20 [m/s] / max. 200 [m/s ²]
Speed / acceleration FL_B	max. 3 [m/s] / max. 6 [m/s ²]
Gliding speed / acceleration (maximum)	max. 10 [m/s] / max. 50 [m/s ²]
Material - permitted temperature °C	igumid G / -40° to +120° C
Flammability class, igumid G	VDE 0304 IIC UL94 HB

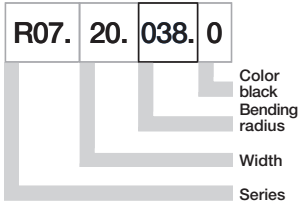
Technical Data



Details of material properties
 ► page 1.38



Part No. structure



Series R07 E-Tube - zip-open along the outer radius

Part No.	<i>Bi</i> [mm]	<i>Ba</i> [mm]	<i>R</i> [mm]	Bending Radii	Weight [kg/m]
R07.10. <input type="text"/> .0	10	16,5	<input type="text"/> 038	<input type="text"/> 048	≈ 0,14
R07.16. <input type="text"/> .0	16	22,5	<input type="text"/> 038	<input type="text"/> 048	≈ 0,16
R07.20. <input type="text"/> .0	20	27,0	<input type="text"/> 038	<input type="text"/> 048	≈ 0,17
R07.30. <input type="text"/> .0	30	37,0	<input type="text"/> 038	<input type="text"/> 048	≈ 0,20
R07.40. <input type="text"/> .0	40	47,0	<input type="text"/> 038	<input type="text"/> 048	≈ 0,23
R07.50. <input type="text"/> .0	50	57,0	<input type="text"/> 038	<input type="text"/> 048	≈ 0,26

Supplement part no. with required radius (*R*) Example: R07.20. 038 .0

0 = standard color, other colors ▶ page 1.39 · Pitch = 20 mm/link - Links/m = 50

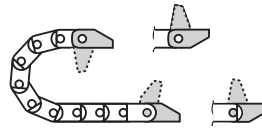




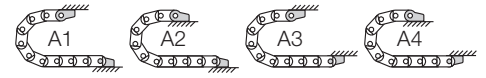
Polymer, one-piece

- One-piece mounting bracket
- Corrosion-resistant
- Available preassembled
- Inner and outer attachment possible
- Available with or without integrated strain relief tiwrap plates

Moving end with bore
(outer link) 060...1(PZ)

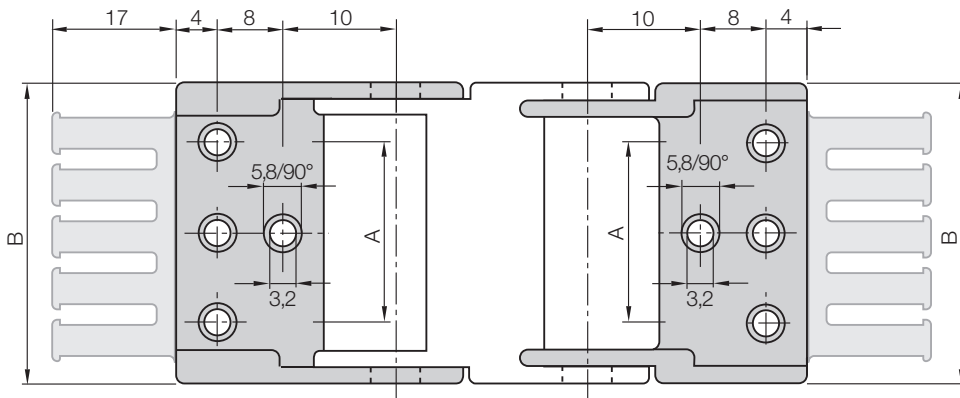


060...2(PZ) Fixed end
with pin (inner link)



Possible installation conditions for assembled mounting brackets ▶ Order example "preassembled" below

060...1(PZ)
Moving end



060...2(PZ)
Fixed end

Dimensions and order configurations

Strain relief is possible on the moving end and/or the fixed end.

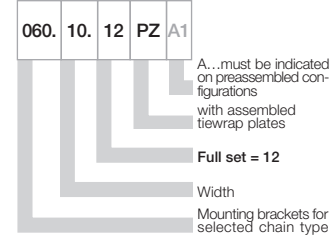
060.10.12 - 060.20.12: center bores only

060.30.12 - 060.50.12: outer bores only

For E-chain®	Part No. full set with tiwrap plate	Part No. full set without tiwrap plate	Number of teeth	Dim. A [mm]	Dim. B [mm]
R07.10. ▶	060.10. 12 PZ	060.10. 12	1	-	16,5
R07.16. ▶	060.16. 12 PZ	060.16. 12	2	-	22,5
R07.20. ▶	060.20. 12 PZ	060.20. 12	2	-	27,0
R07.30. ▶	060.30. 12 PZ	060.30. 12	3	22	37,0
R07.40. ▶	060.40. 12 PZ	060.40. 12	4	32	47,0
R07.50. ▶	060.50. 12 PZ	060.50. 12	5	42	57,0

For the **preassembled** mode please add the index **A1** ... **A4** Example: 060.10. 12 **A1**

Part No. structure



Full set, for both ends:

060. 10. 12 PZ +tiwrap plate

Single-part order:

060. 10. 1 PZ +tiwrap plate

Mounting bracket **with bore**

060. 10. 2 PZ +tiwrap plate

Mounting bracket **with pin**

Phone +49- (0) 22 03-96 49-800
Fax +49- (0) 22 03-96 49-222



Quicksnap - the complete, detachable mounting unit, available upon request



Quickfix - mounting bracket with dowel, available upon request

Additional Features