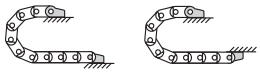
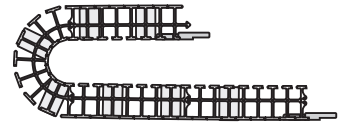




Plastic fastener

- Housing potential for strain relief tiwrap plate
- Firmly attached to the E-Chain®
- Minimized outer width
- Fastening of the E-Chain® possible on subsurface

Moving end
T3.29...2



Example: Possible installation conditions for E3 mounting brackets

T3.29...1
Fixed end

Dimensions and order configurations

T3.29...2
Moving end

T3.29...1
Fixed end



Mounting angle, single

Part No. structure

T3.29.	030.	12
--------	------	----



Full set, for both ends:

T3.29.	030.	12
--------	------	----

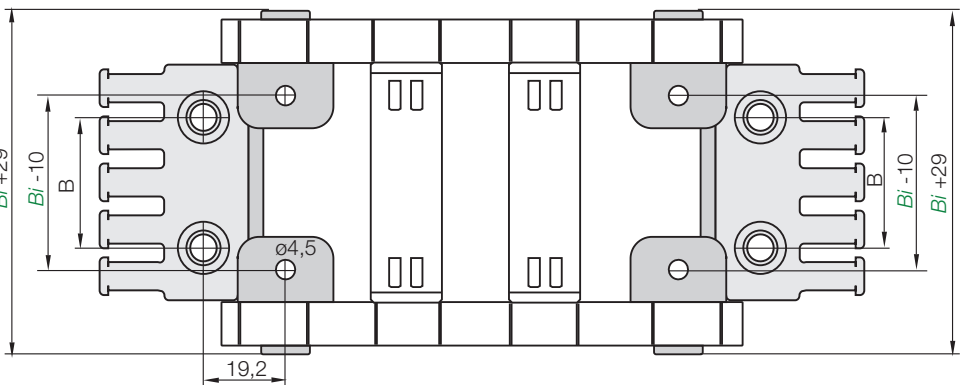
Single-part order:

T3.29.	030.	1
--------	------	---

Moving end mounting bracket

T3.29.	030.	2
--------	------	---

Moving end mounting bracket



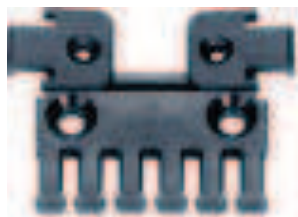
For E-Chain®	Part No. full set
T3.29.030	T3.29.030.12
T3.29.040	T3.29.040.12
T3.29.050	T3.29.050.12
T3.29.060	T3.29.060.12
T3.29.070	T3.29.070.12

For E-Chain®	Part No. full set
T3.29.080	T3.29.080.12
T3.29.090	T3.29.090.12
T3.29.100	T3.29.100.12
T3.29.110	T3.29.110.12
T3.29.120	T3.29.120.12

Phone +49- (0) 22 03-96 49-800
Fax +49- (0) 22 03-96 49-222

igus® GmbH
51147 Cologne

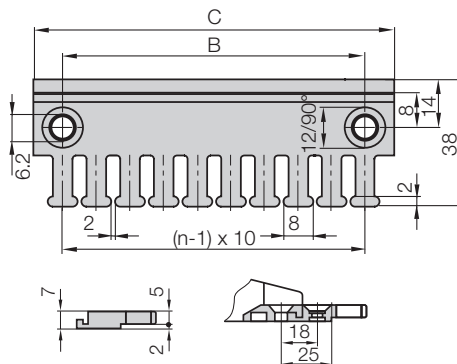
Internet: www.igus.eu
E-mail: info@igus.de



Mounting angle mit strain relief

T3 | Series T3.29 | Accessories | Strain Relief

igus® Chainfix tiwrap plate as individual part



Tiewrap plate	n Number of teeth	Dim. C [mm]	Dim. B [mm]
2020.ZB	3	30	15
2030.ZB	4	40	20
2040.ZB	5	50	30
2050.ZB	6	60	40
2070.ZB	8	80	60
2090.ZB = (2030.ZB + 2040.ZB)	9	90	-
2100.ZB	10	100	80
2125.ZB = (2050.ZB + 2050.ZB)	12	120	-

Strain relief separator

Separator with integrated strain relief for the use in the first or last chain link. Individual part for the manufacturing of switchgear cabinets or for the assembly of machines. Easy to assemble without any screws ► **chapter 10.**

Part No.	Number of teeth	For Series
E6.29.02.Z	2 one side	T3.29 E-Chain®

