

### e-chains® | E4.64L | Crossbars every link (openable along inner and outer radius, from both sides)

Part No. e-chains®	<i>Bi</i> [mm]	<i>Ba</i> [mm]	E4.64L [kg/m]
E4.64L.050.R.0**	050	076	-
E4.64L.062.R.0**	062	088	-
E4.64L.075.R.0**	075	101	-
<b>E4.64L.087.R.0</b>	<b>087</b>	<b>113</b>	≈ 2,49
E4.64L.100.R.0**	100	126	-
E4.64L.112.R.0**	112	138	-
E4.64L.125.R.0**	125	151	-
E4.64L.137.R.0**	137	163	-
<b>E4.64L.150.R.0</b>	<b>150</b>	<b>176</b>	≈ 2,72
E4.64L.162.R.0**	162	188	-
E4.64L.175.R.0**	175	201	-
E4.64L.187.R.0**	187	213	-
E4.64L.200.R.0**	200	226	-
E4.64L.212.R.0**	212	238	-
E4.64L.225.R.0**	225	251	-

Part No. e-chains®	<i>Bi</i> [mm]	<i>Ba</i> [mm]	E4.64L [kg/m]
E4.64L.237.R.0**	237	263	-
E4.64L.250.R.0**	250	276	-
E4.64L.262.R.0**	262	288	-
E4.64L.275.R.0**	275	301	-
E4.64L.287.R.0**	287	313	-
E4.64L.300.R.0**	300	326	-
E4.64L.312.R.0**	312	338	-
E4.64L.325.R.0**	325	351	-
E4.64L.337.R.0**	337	363	-
E4.64L.350.R.0**	350	376	-
E4.64L.362.R.0**	362	388	-
E4.64L.375.R.0**	375	401	-
E4.64L.387.R.0**	387	413	-
E4.64L.400.R.0**	400	426	-

\*\*Width available upon request. Please consult igus® for delivery time.

\*Radius available upon request. Please consult igus® for delivery time.

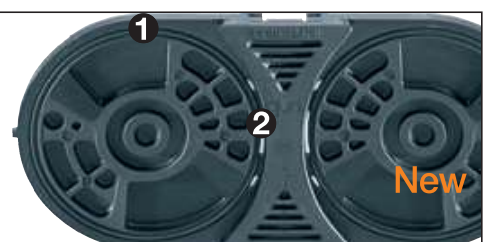
#### Available bend radii

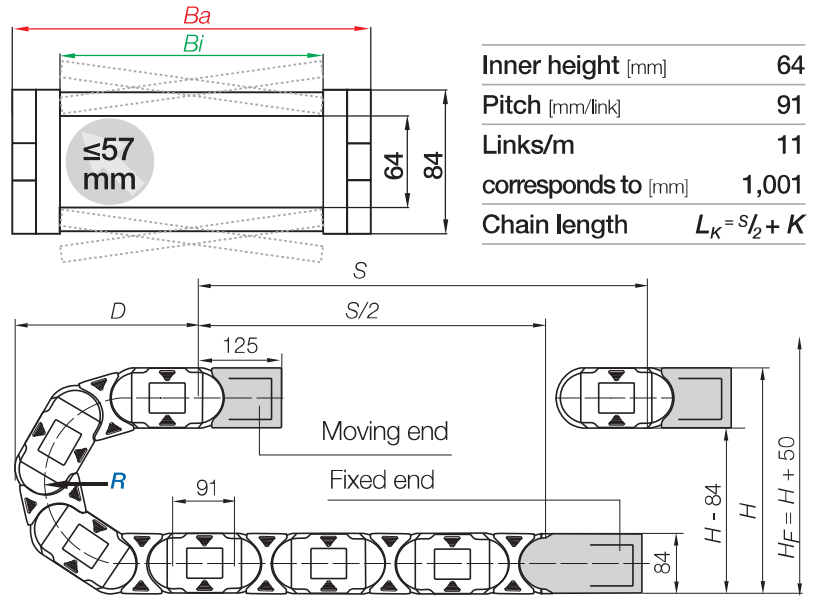
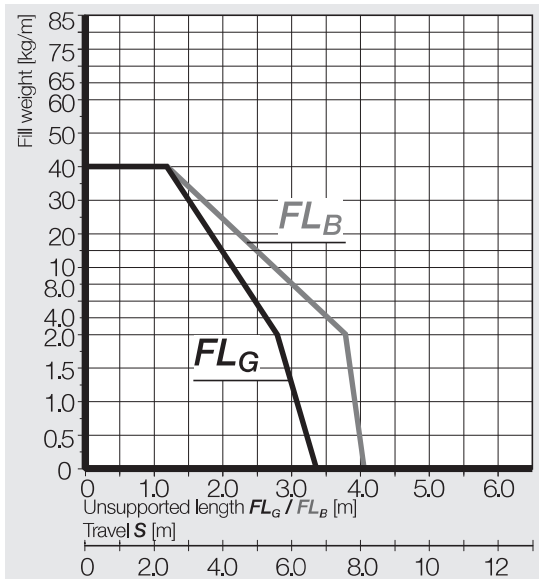
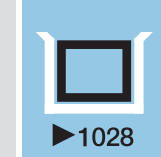
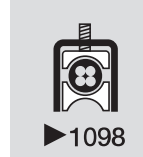
**R** [mm] | 100\* | 125\* | 150 | 175\* | 200\* | 250\* | 300\* | 350\* | 400\* |

Complete Part No., with required radius (**R**). Example: **E4.64L.150.150.0** = crossbars every link

#### E4.64LS - with integrated dust seal

- Integrated seal ① prevents ingress of fine dust in the stop-dogs.
  - Openings ② allow dust to fall out
  - Large inner height 64 mm, low weight and high dynamics
  - Openable along the inner and outer radius, from both sides, optimised wear
- More information ► [www.igus.eu/E4-64LS](http://www.igus.eu/E4-64LS)



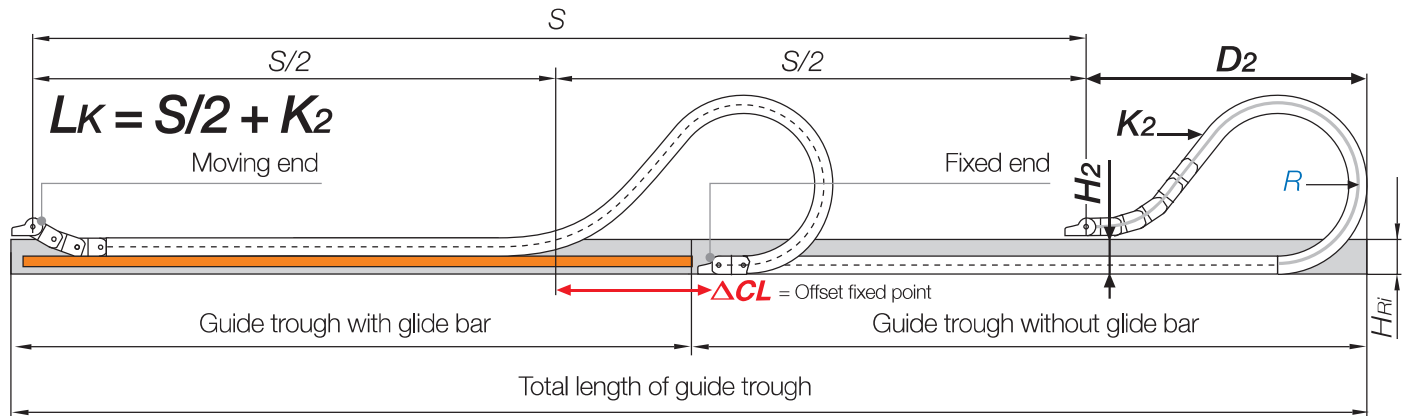


R	100*	125*	150	175*	200*	250*	300*	350*	400*
H	284	334	384	434	484	584	684	784	884
D	279	304	329	354	379	429	479	529	579
K	500	575	655	735	815	970	1,125	1,285	1,440

The required clearance height:  $H_F = H + 50$  mm (with 2.0 kg/m fill weight)

\*Radius available upon request. Please consult igus® for delivery time.

## Gliding applications | For long travels, upon request

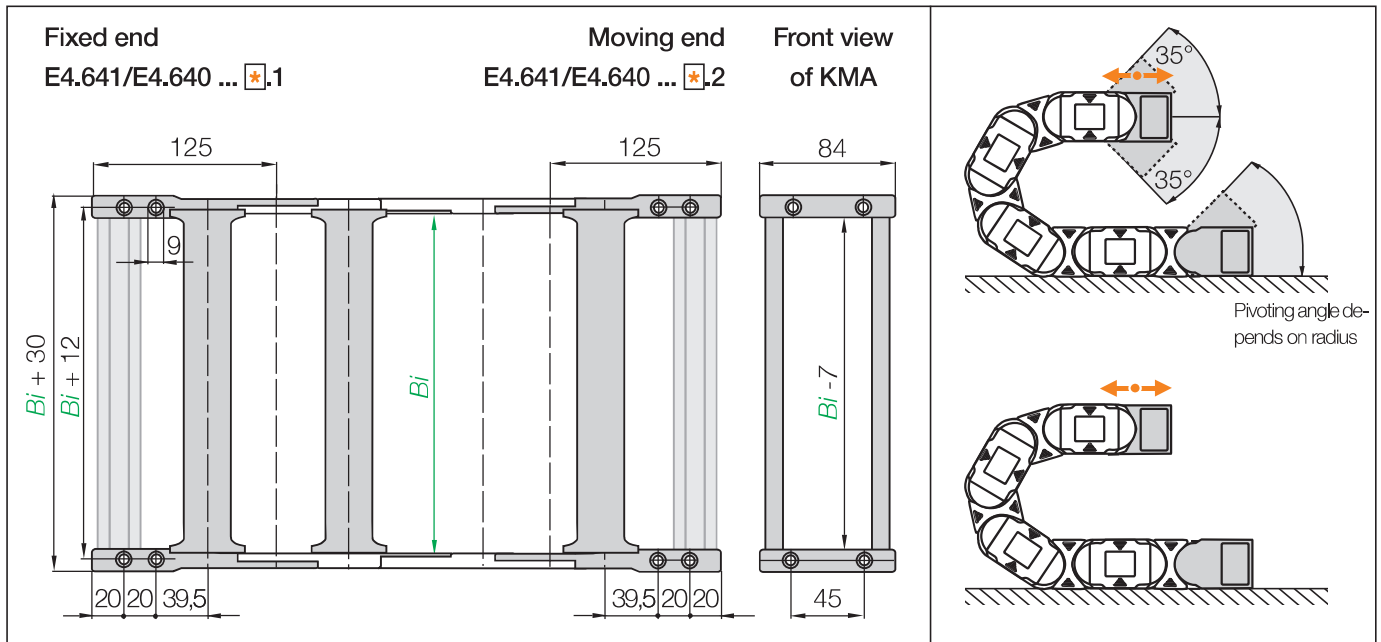


**Note:** We recommend the project planning of such a system to be carried out by igus®.

In case of travels between 5 and 10 m we recommend an e-chain® with a longer unsupported length.

R	100*	125*	150	175*	200*	250*	300*	350*	400*
H <sub>2</sub>	**	**	**	**	**	**	**	**	**
D <sub>2</sub>	**	**	**	**	**	**	**	**	**
K <sub>2</sub>	**	**	**	**	**	**	**	**	**
ΔCL	**	**	**	**	**	**	**	**	**

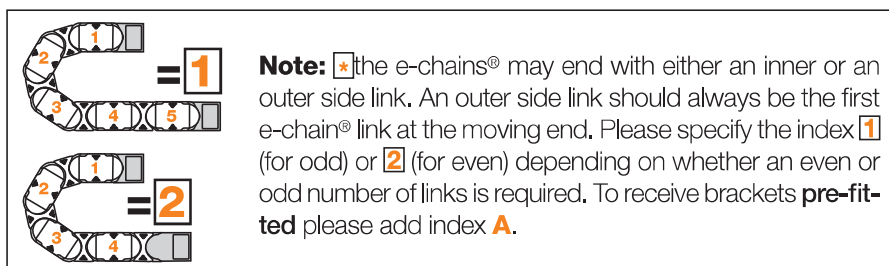
\*Radius available upon request. Please consult igus® for delivery time. \*\*Values upon request



**KMA pivoting** | Recommended for unsupported and gliding applications  
**KMA locking** | Recommended for vertical hanging and standing applications

Width index	Part No. full set KMA pivoting	Part No. full set KMA locking	Bi [mm]	Width index	Part No. full set KMA pivoting	Part No. full set KMA locking	Bi [mm]
05.	E4.640. 05 .12.C*	E4.641. 05 .12.C*	050	23.	E4.640. 23 .12.C*	E4.641. 23 .12.C*	237
06.	E4.640. 06 .12.C*	E4.641. 06 .12.C*	062	25.	E4.640. 25 .12.C*	E4.641. 25 .12.C*	250
07.	E4.640. 07 .12.C*	E4.641. 07 .12.C*	075	26.	E4.640. 26 .12.C*	E4.641. 26 .12.C*	262
08.	E4.640. 08 .12.C	E4.641. 08 .12.C	087	27.	E4.640. 27 .12.C*	E4.641. 27 .12.C*	275
10.	E4.640. 10 .12.C*	E4.641. 10 .12.C*	100	28.	E4.640. 28 .12.C*	E4.641. 28 .12.C*	287
11.	E4.640. 11 .12.C*	E4.641. 11 .12.C*	112	30.	E4.640. 30 .12.C*	E4.641. 30 .12.C*	300
12.	E4.640. 12 .12.C*	E4.641. 12 .12.C*	125	31.	E4.640. 31 .12.C*	E4.641. 31 .12.C*	312
13.	E4.640. 13 .12.C*	E4.641. 13 .12.C*	137	32.	E4.640. 32 .12.C*	E4.641. 32 .12.C*	325
15.	E4.640. 15 .12.C	E4.641. 15 .12.C	150	33.	E4.640. 33 .12.C*	E4.641. 33 .12.C*	337
16.	E4.640. 16 .12.C*	E4.641. 16 .12.C*	162	35.	E4.640. 35 .12.C*	E4.641. 35 .12.C*	350
17.	E4.640. 17 .12.C*	E4.641. 17 .12.C*	175	36.	E4.640. 36 .12.C*	E4.641. 36 .12.C*	362
18.	E4.640. 18 .12.C*	E4.641. 18 .12.C*	187	37.	E4.640. 37 .12.C*	E4.641. 37 .12.C*	375
20.	E4.640. 20 .12.C*	E4.641. 20 .12.C*	200	38.	E4.640. 38 .12.C*	E4.641. 38 .12.C*	387
21.	E4.640. 21 .12.C*	E4.641. 21 .12.C*	212	40.	E4.640. 40 .12.C*	E4.641. 40 .12.C*	400
22.	E4.640. 22 .12.C*	E4.641. 22 .12.C*	225				

(KMA = polymer metal mounting bracket) For the C-profile option please add index **C**. Width available upon request. Please consult igus® for delivery time.



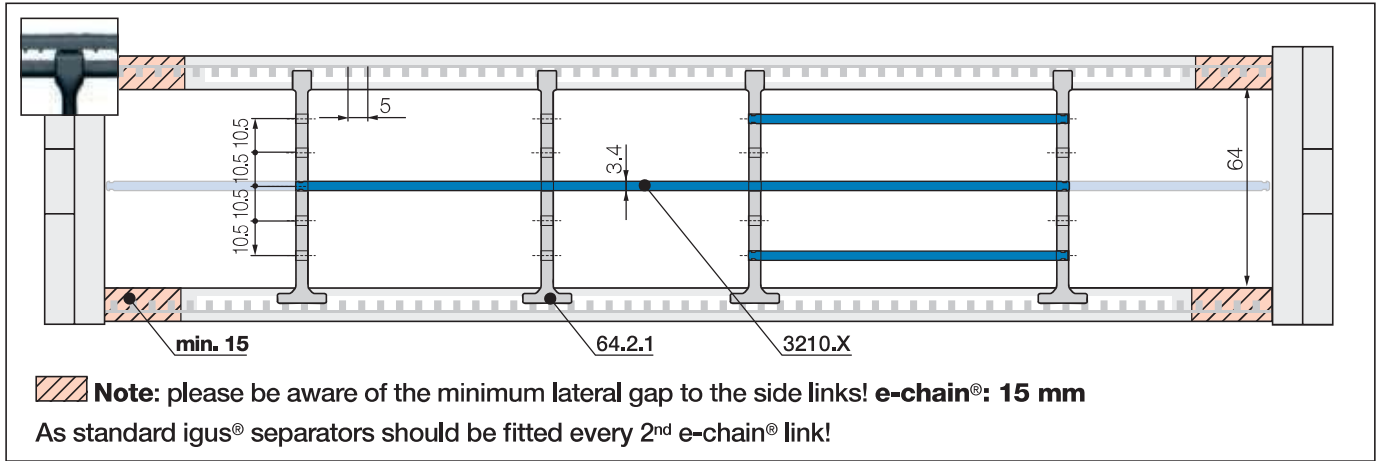
**E4.640.150.2.12.C A** Order example

- A** ... To indicate option with brackets pre-fitted
- C**-profile option
- Full set
- Even numbers of links
- Width index
- e-chain® series



**Strain relief** e.g. clamps, tiwrap plates, nuggets and plug-in clips are available from stock. The complete chainfix range with ordering options ▶ From page 1098

## Interior separation | Increase cable service life



<b>Separator, narrow base</b>	
unassembled	<b>64.2</b>
assembled	<b>64.2.1</b>

### For even faster installation

Wide on one side for high holding strength, narrow on opposite side for easy cable fitting.

<b>Shelf, lockable</b>	
unassembled	<b>3200.X</b>
assembled	<b>3210.X</b>

### Horizontal separation

Full-width shelf locks securely into separators at both ends, giving a fixed width. Can be used as full-width or partial shelf.

### Shelves

Width = X [mm]

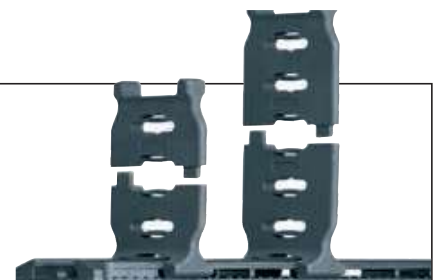


X [mm]	unassembled	assembled	X [mm]	unassembled	assembled	X [mm]	unassembled	assembled
050	<b>3200.050</b>	<b>3210.050</b>	125	<b>3200.125</b>	<b>3210.125</b>	225	<b>3200.225</b>	<b>3210.225</b>
075	<b>3200.075</b>	<b>3210.075</b>	150	<b>3200.150</b>	<b>3210.150</b>	250	<b>3200.250</b>	<b>3210.250</b>
100	<b>3200.100</b>	<b>3210.100</b>	175	<b>3200.175</b>	<b>3210.175</b>			
115	<b>3200.115</b>	<b>3210.115</b>	200	<b>3200.200</b>	<b>3210.200</b>			

### Split separators - universal retrofit - New

- Separators can be divided in the middle for speedy assembly
- Allows fast filling anywhere in the e-chain® from above or below.
- 2 types available: with wide or narrow base

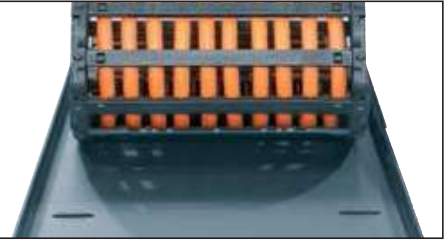
**More information** ► upon request



### Steel support tray for support of the lower run

- Simple one-piece support trays for the lower run
- To meet your requirements and specification
- 4 variants available

More information ► From page 1062



### E4.64LS - with integrated dust seal

- Integrated seal ① prevents ingress of fine dust in the stop-dogs.
  - Openings ② allow dust to fall out
  - Large inner height 64 mm, low weight and high dynamics
  - Openable along the inner and outer radius, from both sides, optimised wear
- More information ► [www.igus.eu/E4-64LS](http://www.igus.eu/E4-64LS)

