



e-chains® | E4.48L | Crossbars every link (openable along inner and outer radius, from both sides)
e-tubes | R4.48L | Fully enclosed (lids openable along inner and outer radius, either both sides)

Part No.	Part No.	<i>Bi</i>	<i>Ba</i>	E4.48L	R4.48L	Part No.	Part No.	<i>Bi</i>	<i>Ba</i>	E4.48L	R4.48L
e-chains®	e-tubes	[mm]	[mm]	[kg/m]	[kg/m]	e-chains®	e-tubes	[mm]	[mm]	[kg/m]	[kg/m]
E4.48L.050.R.0	R4.48L.050.R.0	050	070	≈ 1.53	≈ 1.64	R4.48L.225.R.0	-	225	245	≈ 2.24	-
E4.48L.062.R.0	R4.48L.062.R.0	062	082	≈ 1.58	-	R4.48L.237.R.0	-	237	257	≈ 2.30	-
E4.48L.075.R.0	R4.48L.075.R.0	075	095	≈ 1.64	≈ 1.82	E4.48L.250.R.0	R4.48L.250.R.0**	250	270	≈ 2.35	≈ 3.08
E4.48L.087.R.0	R4.48L.087.R.0**	087	107	≈ 1.67	≈ 1.91	E4.48L.262.R.0**	-	262	282	≈ 2.39	-
E4.48L.100.R.0	R4.48L.100.R.0	100	120	≈ 1.73	≈ 2.01	E4.48L.275.R.0**	-	275	295	≈ 2.45	-
E4.48L.105.R.0	-	105	125	≈ 1.74	-	E4.48L.287.R.0**	-	287	307	≈ 2.51	-
E4.48L.112.R.0	-	112	132	≈ 1.79	-	E4.48L.300.R.0**	R4.48L.300.R.0**	300	320	≈ 2.56	≈ 3.42
E4.48L.125.R.0	R4.48L.125.R.0	125	145	≈ 1.84	≈ 2.18	E4.48L.312.R.0**	-	312	332	≈ 2.60	-
E4.48L.137.R.0	-	137	157	≈ 1.88	-	E4.48L.325.R.0**	-	325	345	≈ 2.66	-
E4.48L.150.R.0	R4.48L.150.R.0	150	170	≈ 1.97	≈ 2.36	E4.48L.337.R.0**	-	337	357	≈ 2.72	-
E4.48L.162.R.0	-	162	182	≈ 2.00	-	E4.48L.350.R.0**	-	350	370	≈ 2.74	-
E4.48L.175.R.0	R4.48L.175.R.0	175	195	≈ 2.04	≈ 2.58	E4.48L.362.R.0**	-	362	382	≈ 2.77	-
E4.48L.187.R.0**	-	187	207	≈ 2.09	-	E4.48L.375.R.0**	-	375	395	≈ 2.81	-
E4.48L.200.R.0	R4.48L.200.R.0	200	220	≈ 2.14	≈ 2.70	E4.48L.387.R.0**	-	387	407	≈ 2.90	-
E4.48L.212.R.0**	-	212	232	≈ 2.18	-	E4.48L.400.R.0**	-	400	420	≈ 2.96	-

**Width available upon request. Please consult igus® for delivery time.

1) Radius not available for e-tubes

Available bend radii

R [mm] | 075¹⁾ | 100¹⁾ | 125 | 150 | 175 | 200 | 250 | 300 | 350 |

Complete Part No. with required radius (*R*). Example:

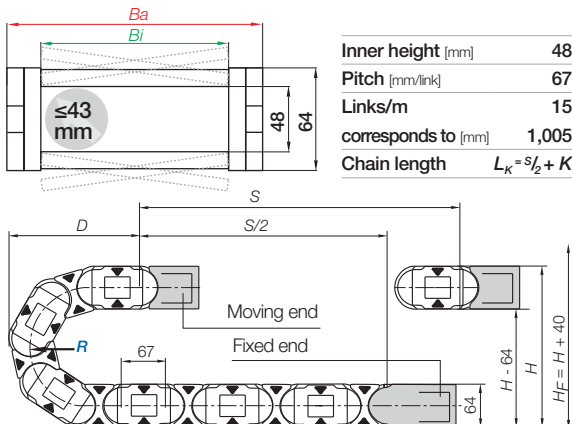
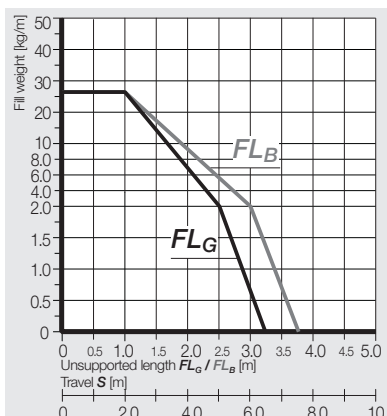
E4.48L.175.150.0 = crossbars every link / R4.48L.175.150.0 = fully enclosed

Steel support tray for support of the lower run

- Simple one-piece support trays for the lower run
- To meet your requirements and specification
- 4 variants available

More information ► From page 1062





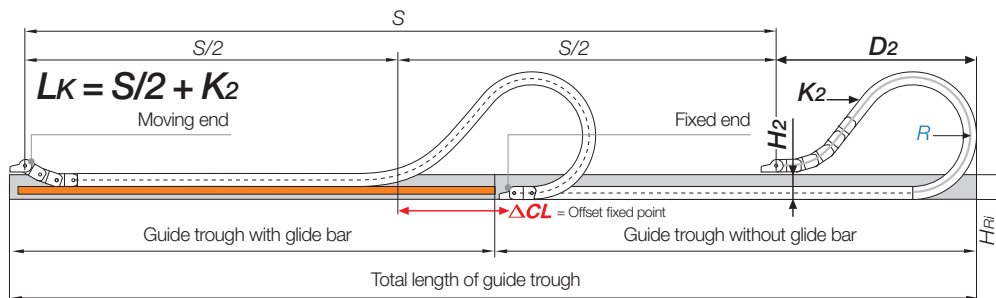
Inner height [mm]	48
Pitch [mm/link]	67
Links/m	15
corresponds to [mm]	1,005
Chain length	$L_K = S/2 + K$

R	075 ¹⁾	100 ¹⁾	125	150	175	200	250	300	350
H	214	264	314	364	414	464	564	664	764
D	208	233	258	283	308	333	383	433	483
K	370	450	530	610	685	765	920	1,080	1,235

The required clearance height: $H_F = H + 40\text{ mm}$ (with 2.5 kg/m fill weight)

1) Radius not available for e-tubes

Gliding applications | For long travels from 10 m to max. 100 m



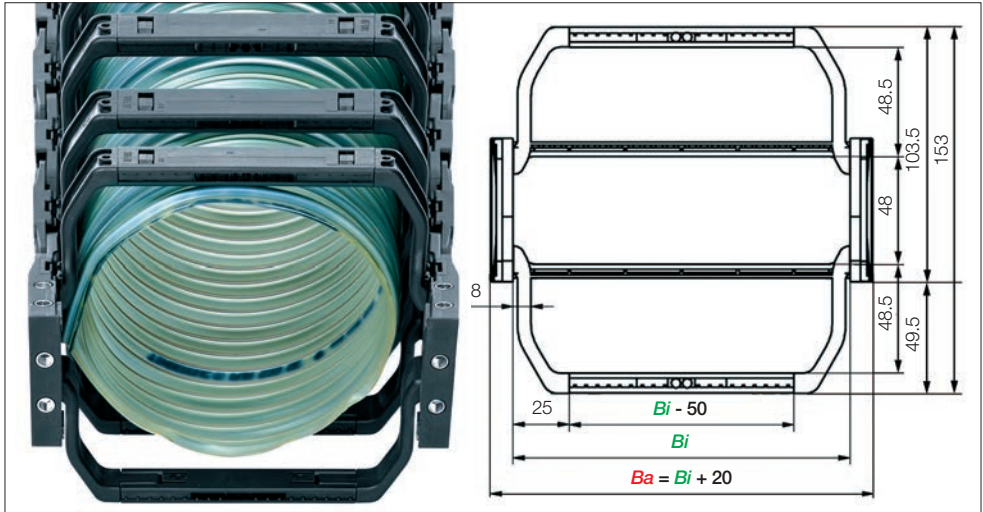
Note: We recommend the project planning of such a system to be carried out by igus®.

In case of travels between 5 and 10 m we recommend an e-chain® with a longer unsupported length.

R	075 ¹⁾	100 ¹⁾	125	150	175	200	250	300 ²⁾	350 ²⁾
H ₂	*	*	106	106	106	106	106	-	-
D ₂	*	*	475	570	670	780	1,030	-	-
K ₂	*	*	804	938	1,139	1,340	1,675	-	-
ΔCL	*	*	230	300	380	460	660	-	-

1) Radius not available for e-tubes 2) Radius not suitable for long travel applications. Please consult igus®. *Values such as unsupported applications

Extender crossbars - large increase of the interior space



Extender crossbars | Large increase of the interior space for the smooth guiding of large hoses

- An extender crossbar increases the inner height by 48.5 mm for the E4.48L series
- Extender crossbar, **assembled along one side**: cable diameter ≤ 87 mm
- Extender crossbar, assembled along both sides: cable diameter ≤ 130 mm
- Extender crossbars can be assembled in various ways: from one or both sides, alternating with normal crossbars and or a combination of these possibilities
- Optionally openable along the inner or outer radius
- Cable-friendly design, high crossbar holding force

Extender crossbar possibilities

Extender crossbar possibilities	Part No. extender crossbar
Extender crossbar along inner and outer radius	E4.48L.XXXB48.R.0
Extender crossbar along inner radius	E4.48L.XXXBZ48.R.0
Extender crossbar along the outer radius	E4.48L.XXXBE48.R.0
Extender crossbar and crossbars alternating	E4.48L.XXXHB48.R.0
Extender crossbar and crossbars alternating along inner radius	E4.48L.XXXHBZ48.R.0
Extender crossbar and crossbars alternating along the outer radius	E4.48L.XXXHBE48.R.0

**Width available upon request. Please consult igus® for delivery time.

Bi [mm] Available inner widths

| 050 | 062 | 075 | 087 | 100 | 105 | 112 | 125 | 137 | 150 | 162 | 175 | 187 | 200 | 212 |
| 225 | 237 | 250 | 262 | 275 | 287 | 300 | 312 | 325 | 337 | 350 | 362 | 375 | 387 | 400 |

Complete Part No. with required width index **XXX Bi** and required radius (R). Example:

E4.48L.175B48.150.0 = extender crossbar along inner and outer radius

Separator with integrated strain relief teeth

- Can be integrated into the mounting bracket or placed at any point in the e-chain®
- Combines strain relief and interior separation, for restricted space conditions
- Strain relief separator is easy to assemble without any screws

2 versions: Part No. 48.Z / Part No. 48.ZS. More information ► From page 1118

