



e-chains® | E4.38L | Crossbars every link (openable along inner and outer radius, from both sides)  
 e-tubes | R4.38L | Fully enclosed (lids openable along inner and outer radius, either both sides)

Part No.	Part No.	<i>Bi</i>	<i>Ba</i>	E4.38L	R4.38L	Part No.	Part No.	<i>Bi</i>	<i>Ba</i>	E4.38L	R4.38L
e-chains®	e-tubes	[mm]	[mm]	[kg/m]	[kg/m]	e-chains®	e-tubes	[mm]	[mm]	[kg/m]	[kg/m]
E4.38L.050.R.0	R4.38L.050.R.0	050	066	≈ 1.13	≈ 1.20	E4.38L.225.R.0	–	225	241	≈ 1.97	–
E4.38L.062.R.0	–	062	078	≈ 1.19	–	E4.38L.237.R.0	–	237	253	≈ 2.05	–
E4.38L.075.R.0	R4.38L.075.R.0	075	091	≈ 1.26	≈ 1.38	E4.38L.250.R.0	R4.38L.250.R.0	250	266	≈ 2.11	≈ 2.65
E4.38L.087.R.0	–	087	103	≈ 1.30	–	E4.38L.262.R.0**	–	262	278	≈ 2.15	–
E4.38L.100.R.0	R4.38L.100.R.0	100	116	≈ 1.37	≈ 1.60	E4.38L.275.R.0**	–	275	291	≈ 2.22	–
E4.38L.105.R.0	–	105	125	≈ 1.39	–	E4.38L.287.R.0**	–	287	303	≈ 2.30	–
E4.38L.112.R.0	–	112	128	≈ 1.44	–	E4.38L.300.R.0**	R4.38L.300.R.0**	300	316	≈ 2.36	≈ 3.00
E4.38L.125.R.0	R4.38L.125.R.0	125	141	≈ 1.50	≈ 1.75	E4.38L.312.R.0**	–	312	328	≈ 2.40	–
E4.38L.137.R.0	–	137	153	≈ 1.55	–	E4.38L.325.R.0**	–	325	341	≈ 2.47	–
E4.38L.150.R.0	R4.38L.150.R.0	150	166	≈ 1.65	≈ 1.92	E4.38L.337.R.0**	–	337	353	≈ 2.55	–
E4.38L.162.R.0	–	162	178	≈ 1.69	–	E4.38L.350.R.0**	–	350	366	≈ 2.57	–
E4.38L.175.R.0	R4.38L.175.R.0**	175	191	≈ 1.74	≈ 2.10	E4.38L.362.R.0**	–	362	378	≈ 2.60	–
E4.38L.187.R.0**	–	187	203	≈ 1.80	–	E4.38L.375.R.0**	–	375	391	≈ 2.65	–
E4.38L.200.R.0	R4.38L.200.R.0	200	216	≈ 1.86	≈ 2.29	E4.38L.387.R.0**	–	387	403	≈ 2.76	–
E4.38L.212.R.0**	–	212	228	≈ 1.90	–	E4.38L.400.R.0**	–	400	416	≈ 2.83	–

\*\*Width available upon request. Please consult igus® for delivery time.

\*Radius available upon request. Please consult igus® for delivery time. 1) Radius not available for e-tubes

#### Available bend radii

*R* [mm] | 063<sup>1)</sup> | 075<sup>1)</sup> | 100<sup>1)</sup> | 125 | 150 | 175 | 200 | 250 | 300 | 350\*

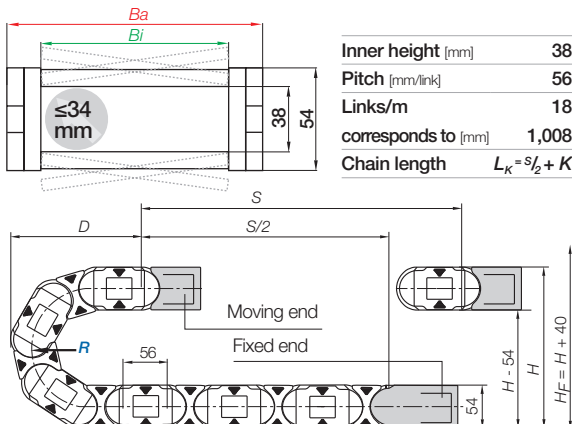
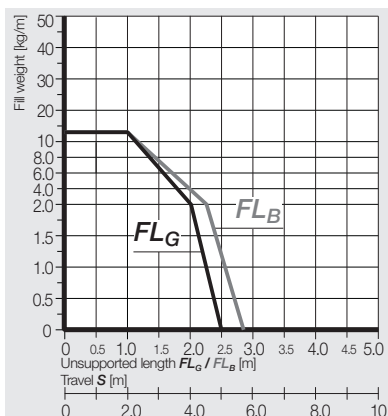
Complete Part No. with required radius (*R*). Example:

E4.38L.100.150.0 = crossbars every link / R4.38L.100.150.0 = fully enclosed

### Aluminium support tray - New

- Corrosion-resistant and seawater-resistant aluminium rails with adjustable width
- Noise-reducing slide bar integrated as a standard
- Easy installation and connection of the e-chain®
- Open design - dirt and debris fall through
- More information ► From page 1068





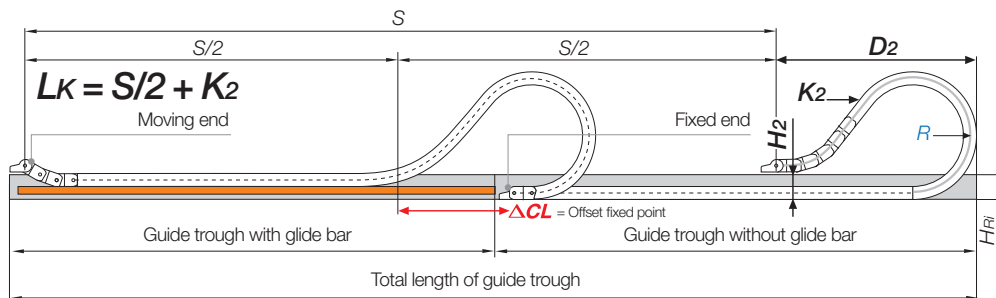
Inner height [mm]	38
Pitch [mm/link]	56
Links/m	18
corresponds to [mm]	1,008
Chain length	$L_K = S/2 + K$

R	063 <sup>1)</sup>	075 <sup>1)</sup>	100 <sup>1)</sup>	125	150	175	200	250	300	350*
H	180	204	254	304	354	404	454	554	654	754
D	174	186	211	236	261	286	311	361	411	461
K	310	350	430	505	585	665	745	900	1,055	1,215

The required clearance height:  $H_F = H + 40$  mm (with 2.0 kg/m fill weight)

\*Radius available upon request. Please consult igus® for delivery time. 1) Radius not available for e-tubes

## Gliding applications | For long travels from 10 m to max. 80 m



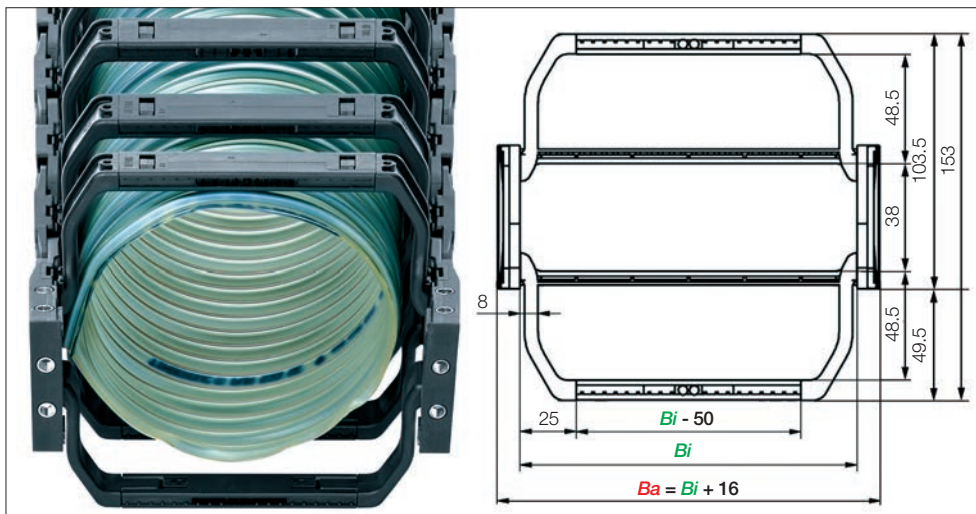
**Note:** We recommend the project planning of such a system to be carried out by igus®.

In case of travels between 5 and 10 m we recommend an e-chain® with a longer unsupported length.

R	063 <sup>1)</sup>	075 <sup>1)</sup>	100 <sup>1)</sup>	125	150	175	200	250 <sup>2)</sup>	300 <sup>2)</sup>	350 <sup>2)</sup>
$H_2$	*	*	96	96	96	96	96	-	-	-
$D_2$	*	*	370	470	500	655	770	-	-	-
$K_2$	*	*	616	784	896	1,120	1,288	-	-	-
$\Delta ACL$	*	*	160	210	240	370	460	-	-	-

1) Radius not available for e-tubes 2) Radius not suitable for long travel applications. Please consult igus®. \*Values such as unsupported applications

Extender crossbars - large increase of the interior space



Extender crossbars | Large increase of the interior space for the smooth guiding of large hoses

- An extender crossbar increases the inner height by 48.5 mm for the E4.38L serie
- Extender crossbar, **assembled along one side**: cable diameter ≤ 78 mm
- Extender crossbar, **assembled along both sides**: cable diameter ≤ 122 mm
- Extender crossbars can be assembled in various ways: from one or both sides, alternating with normal crossbars and or a combination of these possibilities
- Optionally openable along the inner or outer radius
- Cable-friendly design, high crossbar holding force

Extender crossbar possibilities	Part No. extender crossbar
Extender crossbar along inner and outer radius	E4.38L.XXXB48.R.0
Extender crossbar along inner radius	E4.38L.XXXBZ48.R.0
Extender crossbar along the outer radius	E4.38L.XXXBE48.R.0
Extender crossbar and crossbars alternating	E4.38L.XXXHB48.R.0
Extender crossbar and crossbars alternating along inner radius	E4.38L.XXXHBZ48.R.0
Extender crossbar and crossbars alternating along the outer radius	E4.38L.XXXHBE48.R.0

\*\*Width available upon request. Please consult igus® for delivery time.

**Bi** [mm] Available inner widths

| 050 | 062 | 075 | 087 | 100 | 105 | 112 | 125 | 137 | 150 | 162 | 175 | 187 | 200 | 212 |  
| 225 | 237 | 250 | 262 | 275 | 287 | 300 | 312 | 325 | 337 | 350 | 362 | 375 | 387 | 400 |

Complete Part No. with required width index **XXX Bi** and required radius (**R**). Example:

E4.38L.100B48.150.0 = extender crossbar along inner and outer radius