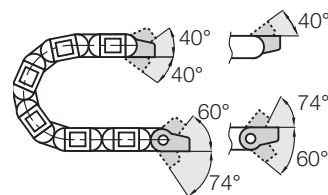


**Option steel - pivoting**

- For pivoting connections
- One part (two-piece) for all chain widths
- Electrically conductive

Moving end  
6000.1



Fixed end  
6000.2

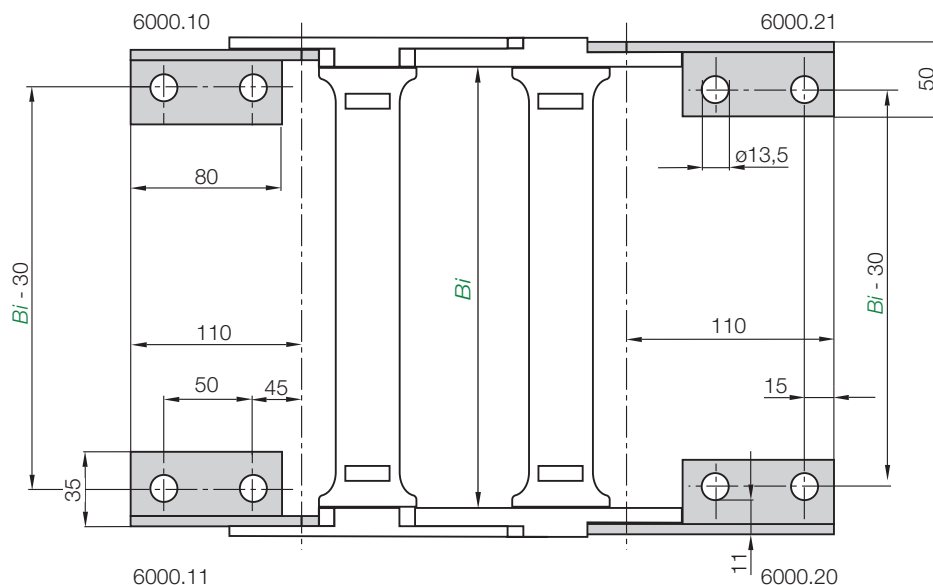


Possible installation conditions -  
Further installation angles ► installation sketch

**Dimensions and order configurations**

Moving end  
6000.1

Fixed end  
6000.2



**Note mounting brackets:**

Depending on the E-Chain® length, the carrier will end with outer or inner side links. For the best appearance, make sure the chain ends with outer side link whenever possible. An odd number of links will always end with outer side links.

Part No.	Mounting bracket
6000.1.12	Full attachment set (both sides) for E-Chain®, ending with outer side link
6000.3.12	Full attachment set (both sides) for E-Chain®, beginning with outer side link (moving end), ending with inner side link (fixed end)
6000.1	Mounting bracket set <b>moving end</b> (one side) for outer side link
6000.2	Mounting bracket set <b>fixed end</b> (one side) for inner side link

Phone +49- (0) 22 03-96 49-800  
Fax +49- (0) 22 03-96 49-222

igus® GmbH  
51147 Cologne

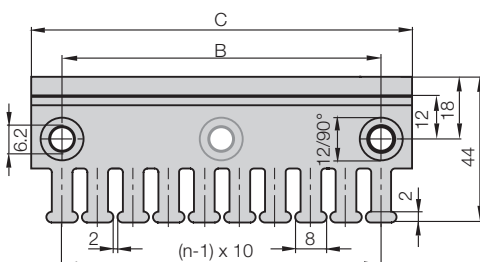
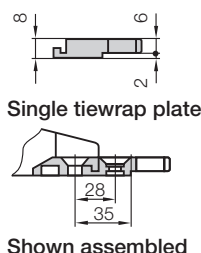
Internet: [www.igus.eu](http://www.igus.eu)  
E-mail: [info@igus.de](mailto:info@igus.de)

E4/00 | Series 600·601·R608 | Accessories | Strain Relief



**Tiewrap plate as individual part**

As individual component screwed on KMA. Can be plugged in the mounting brackets. **Details ► chapter 10**



Tiewrap plate	No. of teeth n	Dim. C [mm]	Dim. B [mm]	Center bore
3050.ZB	5	50	30	-
3075.ZB	7	75	55	-
3100.ZB	10	100	80	-
3115.ZB	11	115	95	-
3125.ZB	12	125	105	-
3150.ZB	15	150	130	-
3175.ZB	17	175	155	-
3200.ZB	20	200	180	+
3225.ZB	22	225	205	+
3250.ZB	25	250	230	+

(- = no / + = yes)