



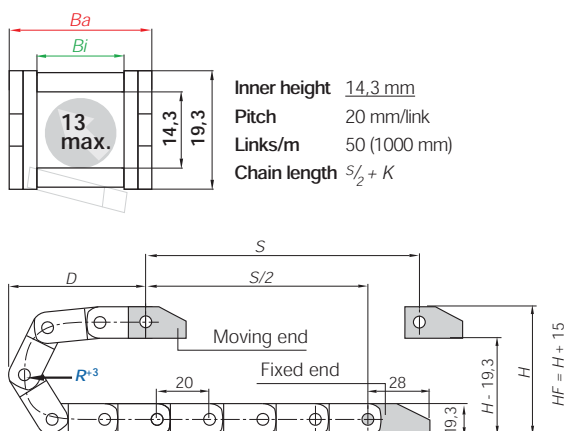
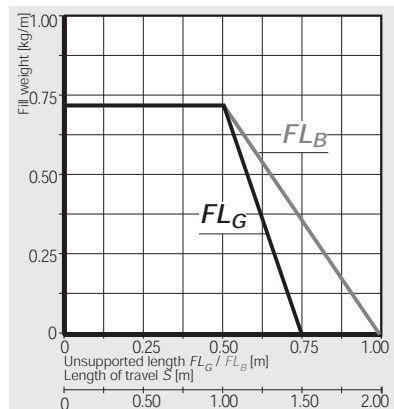
Series 094 | One-piece, snap-open along inner radius with film-hinge

Snap-open along inner radius	<i>Bi</i> [mm]	<i>Ba</i> [mm]	<i>R</i> Bending radii [mm]	Weight [kg/m]
094. 10 .R.0	10	18,2	028 038 048	≈ 0,23
094. 16 .R.0	16	24,2	028 038 048	≈ 0,24
094. 20 .R.0	20	28,2	028 038 048	≈ 0,25
094. 30 .R.0	30	38,2	028 038 048	≈ 0,28
094. 40 .R.0**	40	48,2	028 038 048	≈ 0,31

**Width available upon request, please consult igus® for delivery time

Supplement Part No. with required radius (*R*). Example: 094.10.028.0

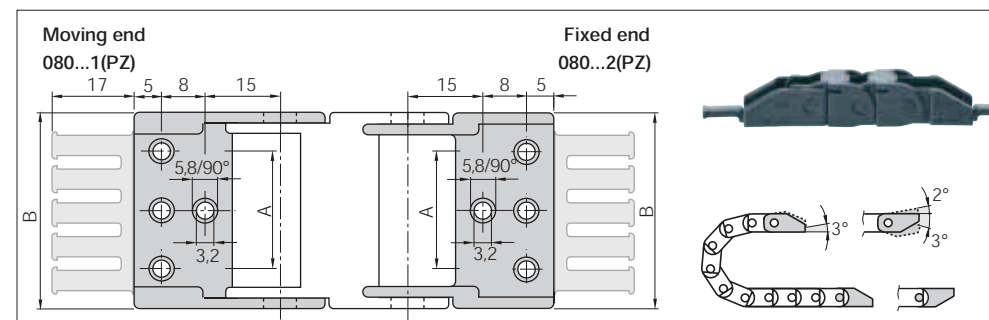
Dimensions



<i>R</i>	028	038	048
<i>H</i>	75	95	115
<i>D</i>	68	78	88
<i>K</i>	130	160	195

The required clearance height: $H_F = H + 15$ mm (with 0,3 kg/m fill weight)

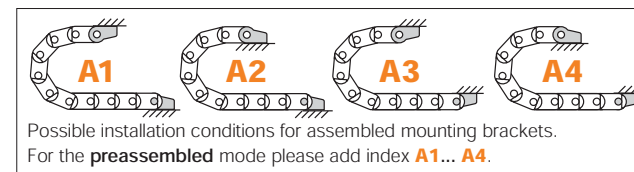
Mounting brackets, polymer one-piece | locking | More features ► www.igus.eu/094



Width Index	Part No. full set with tiewrap plates	Part No. full set without tiewrap plates	Dim. A [mm]	Dim. B [mm]	Number of teeth
.10. ►	080.10. 12PZ	080.10. 12	-	18,2	1
.16. ►	080.16. 12PZ	080.16. 12	-	24,2	2
.20. ►	080.20. 12PZ	080.20. 12	-	28,2	2
.30. ►	080.30. 12PZ	080.30. 12	22	38,2	3
.40. ►	080.40. 12PZ*	080.40. 12*	32	48,2	4

*Width available upon request, please consult igus® for delivery time

Drilling pattern for Part No.: ○ 080.10. - 080.20. center bores only / 080.30. - 080.40. all bores (see figure above)



Part No. structure

080.10. 12 PZ A1

A... must be indicated on preassembled configurations

With strain relief tiewrap plates

Full set

Mounting bracket for selected width index