

● ● ● Price index



IPA Qualification Certificate:
Cleanroom test
upon request



Special equipment:
Electrically conductive ESD/ATEX
version upon request



UL94-V2 classifications
upon request



iF-Design Award -
for E2 micro-Series 05



Easy to assemble and to disassemble



When to use the Series 05:

- If light weight construction is required
- If minimal height and width dimensions are required
- If price is an issue



When not to use it:

- If snap-open links are required
 - ▶ Series 07 Zipper, page 4.10
- If quick insertion of cables with preassembled connectors is required
 - ▶ Series E06 Easy Chain®, page 3.20
- If extra rigidity is required
 - ▶ Series 06 E2 micro, page 5.26

- 1 Very light weight - ideal for low inertia applications
- 2 iF-Design Award
- 3 One-piece, non snap-open E-Chain®
- 4 Snap-open configuration
 - ▶ Series 07 Zipper, page 4.10
 - ▶ Series R07 Zipper Tube, page 4.28
- 5 Easy to fill configuration
 - ▶ Series E06 Easy Chain®, page 3.20



Order example complete E-Chain®

Please indicate chain-lengths or number of links Example: 1 m or 50 links

1 m 05.20.038.0



E-Chain®

1 set 050.20.12



Mounting bracket

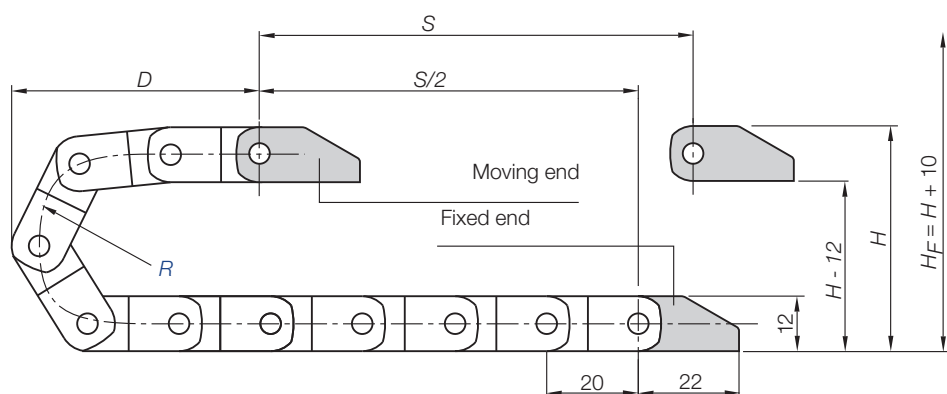
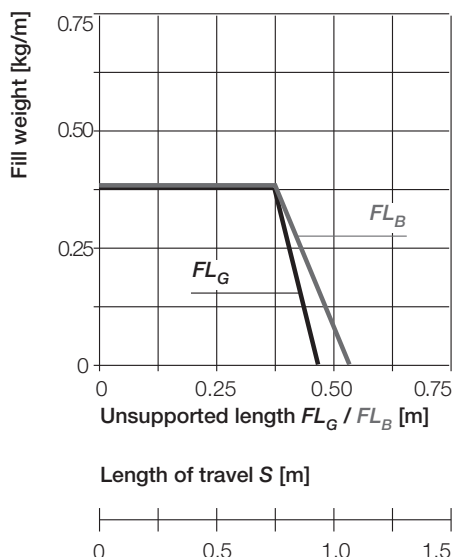
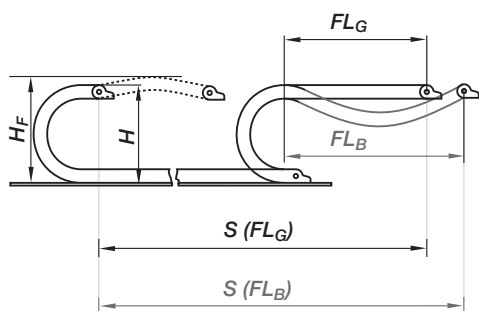


Unsupported length

FL_G = with straight upper run

FL_B = with permitted sag

Further information ► **Design, page 1.12**



Pitch = 20 mm/link Links/m = 50 (1.000 mm) Chain length = $S/2 + K$

R	018	028	038
H	52	72	92
D	45	55	65
K	100	140	160

- S = Length of travel
- R = Bending radius
- H = Nominal clearance height
- H_F = Required clearance height
- D = Overlength E-Chain® radius in final position
- $K = \pi \cdot R + \text{"safety"}$



Short travels - unsupported

Unsupported E-Chains® feature positive camber over short travels. This must be accounted for when specifying the clearance height H_F . Please consult igus® if space is particularly restricted.

The required clearance height:
 $H_F = H + 10$ mm
 (with 0,2 kg/m fill weight)



E2 micro
Inner height: 10 mm

Phone +49- (0) 22 03-96 49-800
Fax +49- (0) 22 03-96 49-222



Speed / acceleration FL_G	max. 20 [m/s] / max. 200 [m/s ²]
Speed / acceleration FL_B	max. 3 [m/s] / max. 6 [m/s ²]
Gliding speed / acceleration (maximum)	max. 3 [m/s] / max. 10 [m/s ²]
Material - permitted temperature °C	igumid G / -40° up to +120° C
Flammability class, igumid G	VDE 0304 IIC UL94 HB

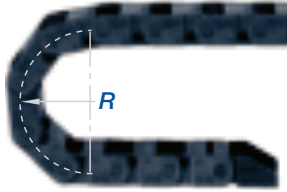
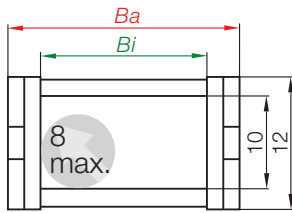
Technical Data



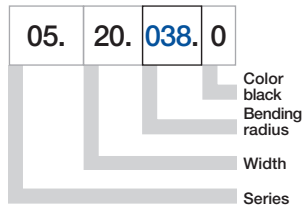
Details of material properties
 ► page 1.38



► page 5.9



Part No. structure



Series 05 E-Chain® - non snap-open

Part No.	B_i [mm]	B_a [mm]	R [mm]	Bending radii	Weight [kg/m]
05.06.□.0	6	10	018	028 038	≈ 0,06
05.10.□.0	10	14	018	028 038	≈ 0,07
05.16.□.0	16	20	018	028 038	≈ 0,07
05.20.□.0	20	24	018	028 038	≈ 0,08
05.30.□.0	30	34	018	028 038	≈ 0,09
05.64.□.0	64	68	018	028 038	≈ 0,19

Supplement Part No. with required radius. Example: 05.20.038.0

0 = standard color, other colors ► page 1.39 · Pitch = 20 mm/link - Links/m = 50

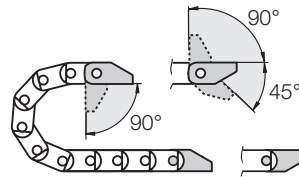




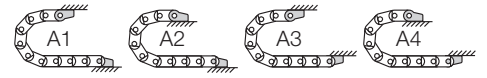
Polymer, one-piece

- One-piece mounting bracket
- Corrosion-resistant
- Available preassembled
- Inner and outer attachment possible

Moving end with bore
(outer link) 050...1



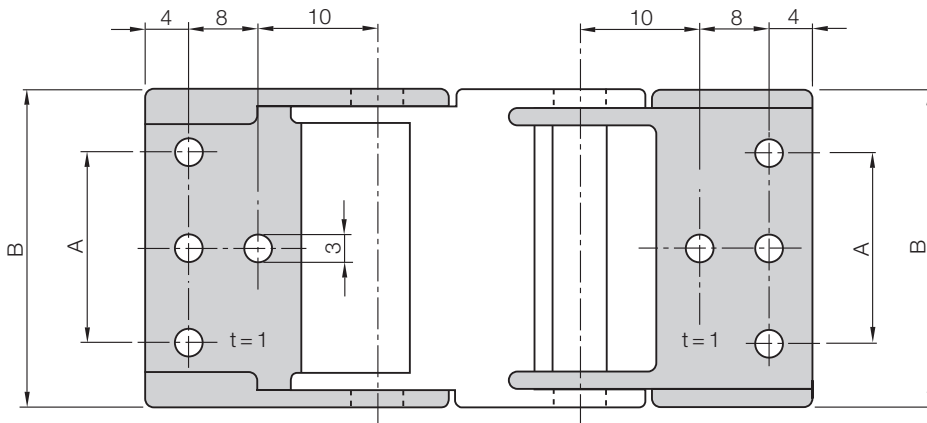
050...2 Fixed end
with pin (inner link)



Possible installation conditions for assembled mounting brackets ► Order example "preassembled" below

050...1
Moving end

050...2
Fixed end



050.06.12 - 050.20.12: center bores only

050.30.12 - 050.64.12: outer bores only

For E-Chain®	Part No. full set	Dim. A [mm]	Dim. B [mm]
05.06. ►	050.06. 12	-	10,7
05.10. ►	050.10. 12	-	14,7
05.16. ►	050.16. 12	-	20,7
05.20. ►	050.20. 12	-	24,7
05.30. ►	050.30. 12	22	34,7
05.64. ►	050.64. 12	56	68,7

For the **preassembled** mode please add the index **A1** ... **A4** e.g. 050.20. 12 **A1**

Dimensions and order configurations

Part No. structure

050.	20.	12	A1
------	-----	----	----

A... must be indicated on preassembled configurations

Full set = 12

Width Mounting brackets for selected chain type

Full set, for both ends:

050. 20. 12

Single-part order:

050. 20. 1

Mounting bracket with bore

050. 20. 2

Mounting bracket with pin

Phone +49- (0) 22 03-96 49-800
Fax +49- (0) 22 03-96 49-222

