



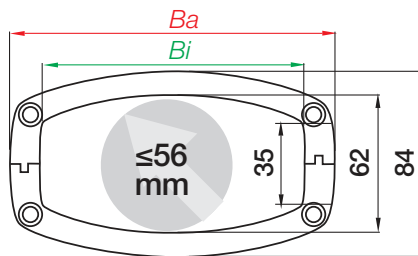
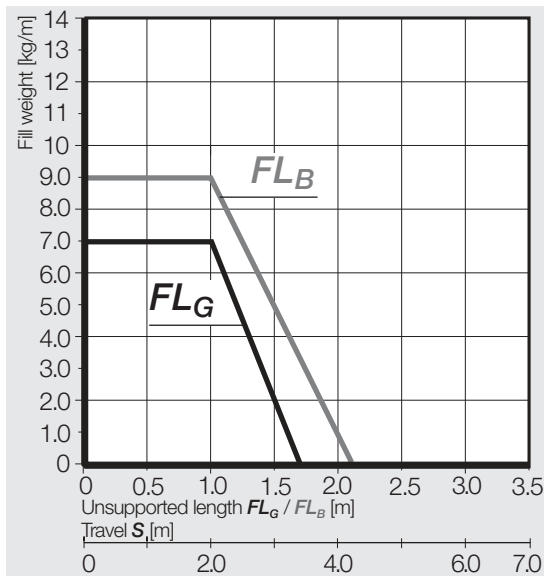
**e-tubes | Series RX48 | Lids removable along the outer radius**

Part No.	<i>Bi</i>	<i>Ba</i>	<i>R</i> Available bend radii	RX48
e-tubes	[mm]	[mm]	[mm]	[kg/m]
RX48. 120 .R.0	120	147.6	120   150   175*   200*   225*   250*   275*   300*   325*	≈ 2.76

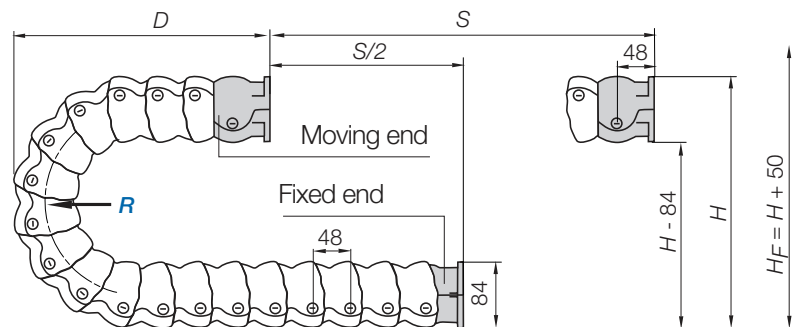
\*Radius available upon request. Please consult igus® for delivery time.

Complete Part No. with required radius (*R*). Example: **RX48.120.120.0**

**Installation dimensions**



Inner height [mm]	62
Pitch [mm/link]	48
Links/m	21
corresponds to [mm]	1,008
Chain length	$L_K = \frac{S}{2} + K$

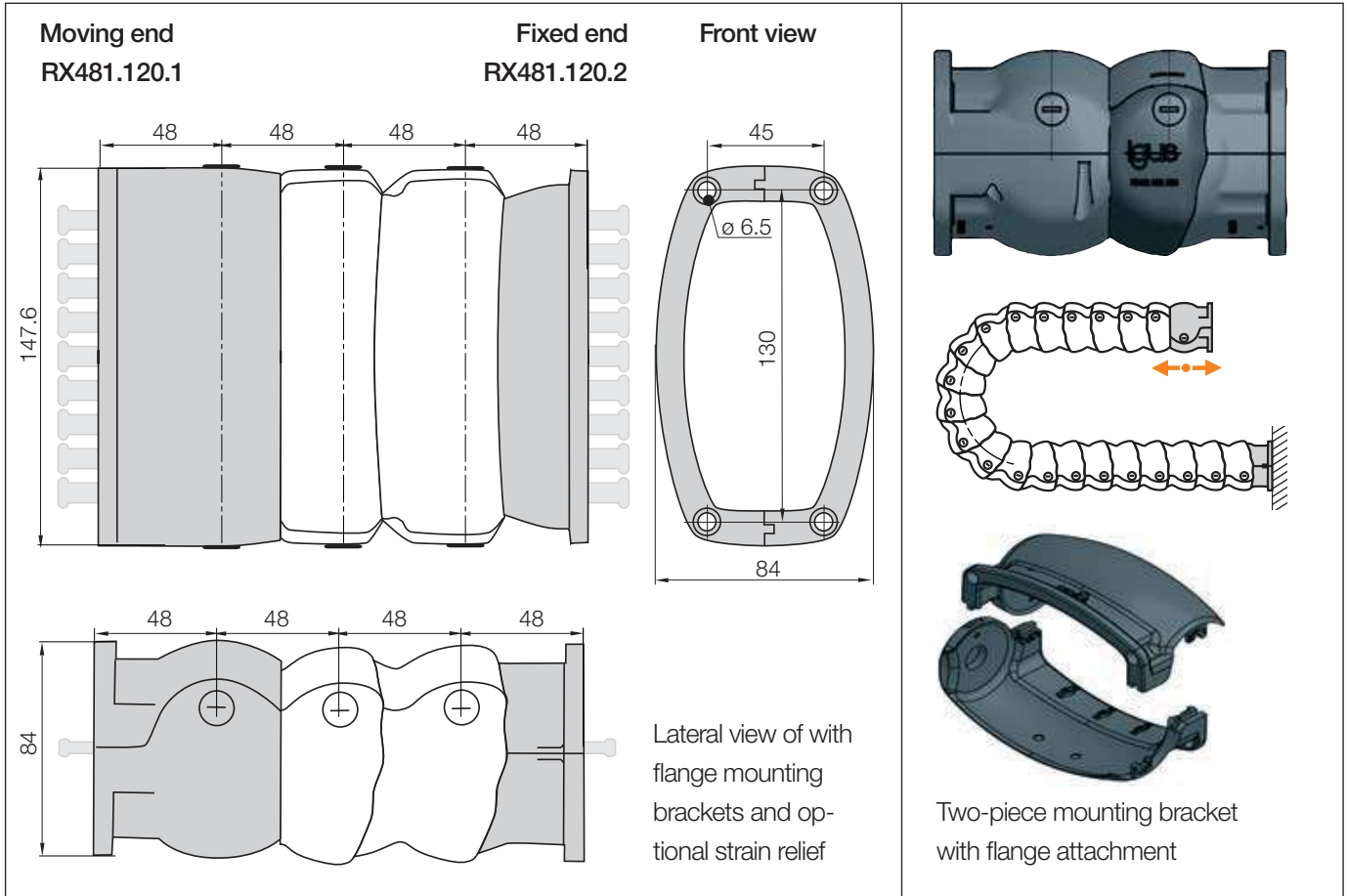


<i>R</i>	120	150	175*	200*	225*	250*	275*	300*	325*
<i>H</i>	324	384	434	484	534	584	634	684	734
<i>D</i>	234	264	289	314	339	364	389	414	439
<i>K</i>	475	570	650	725	805	885	960	1,040	1,120

The required clearance height:  $H_F = H + 50$  mm (with 0.5 kg/m fill weight)

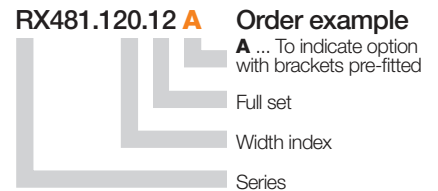
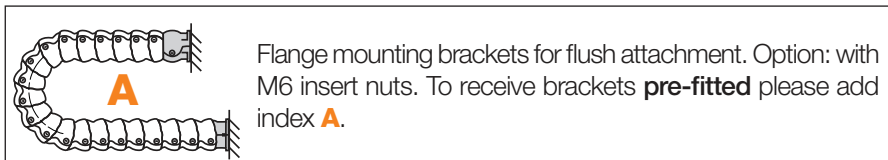
\*Radius available upon request. Please consult igus® for delivery time.

## Mounting brackets, flange | Polymer, two-piece | Locking



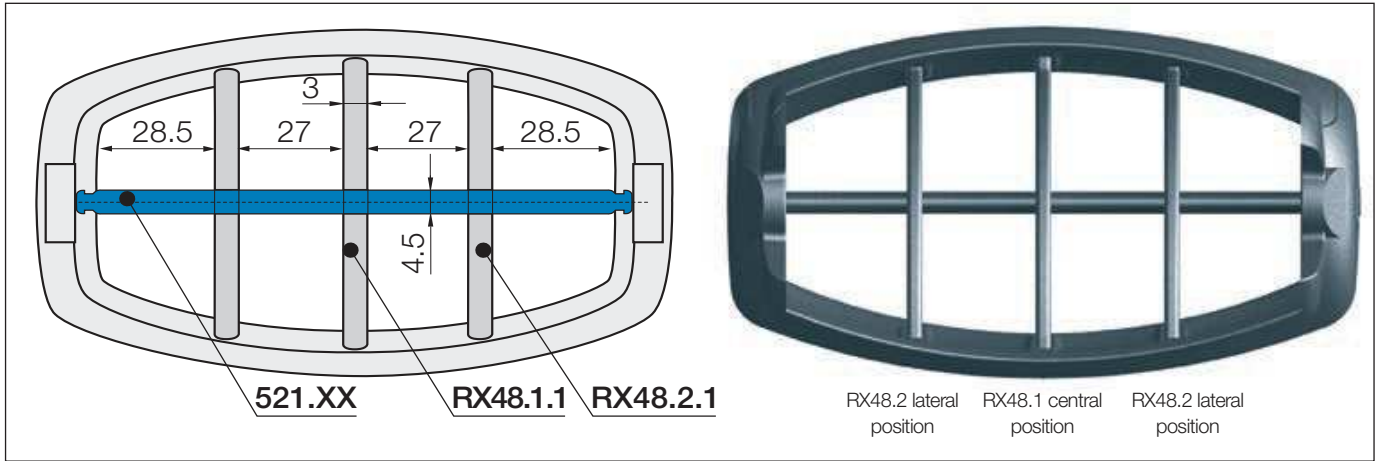
## Mounting brackets, flange | Locking

Width index	Part No. full set with tiewrap plates	Part No. full set without tiewrap plates	Number of teeth
120. ▶	upon request	RX481.120.12	upon request



 **Strain relief** e.g. clamps, tiewrap plates, nuggets and plug-in clips are available from stock. The complete chainfix range with ordering options ▶ From page 1098

Interior separation



**Slotted separator**  
(central position)

unassembled	<b>RX48.1</b>
assembled	<b>RX48.1.1</b>

**Slotted separator**  
(lateral position)

unassembled	<b>RX48.2</b>
assembled	<b>RX48.2.1</b>

**Shelf, lockable**

unassembled	<b>520.X</b>
assembled	<b>521.X</b>

**Vertical separation - slotted separators:**

**RX48.1** (central position)

**RX48.2** (lateral position)

Vertical separation of the large interior space using cable-friendly, polymer separators. Due to their slots, basic vertical and horizontal shelving arrangements are possible. As standard igus® separators should be fitted every 2<sup>nd</sup> e-chain® link.

**Horizontal separation**

Full-width shelf locks securely into separators at both ends, giving a fixed width. Can be used as full-width or partial shelf.



**Shelves**

Width = X [mm]

X [mm]	unassembled	assembled	X [mm]	unassembled	assembled
034	<b>520.34</b>	<b>521.34</b>	094	<b>520.94</b>	<b>521.94</b>
064	<b>520.64</b>	<b>521.64</b>	124	<b>520.124</b>	<b>521.124</b>

## Hot chips up to +850°C

- e-tubes to withstand +850°C hot chips, as a special option
- No hot chips melting or embedding into the chain
- Option possible in igus® igumid HT material

More information ► [www.igus.eu/HT](http://www.igus.eu/HT)



## Steel support tray for support of the lower run

- Simple one-piece support trays for the lower run
- To meet your requirements and specification
- Guides the RX e-tube safely and lets the chips pass through easily
- Available in different lengths

More information ► [www.igus.eu/RX](http://www.igus.eu/RX)



## Strain relief block for flange mounting brackets

- Strain relief block to your specifications
- Fast assembly
- Can be integrated in the RX e-tube flange mounting bracket

More information ► [www.igus.eu/RX48](http://www.igus.eu/RX48)



With the extremely chip-tight igus® RX e-tube and the harnessed chainflex® cables, the lifetime of this woodworking machine was considerably increased. Because of dust and dirt, previous cables failed after one month