



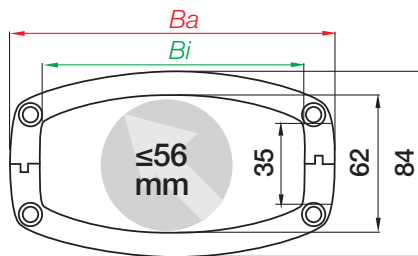
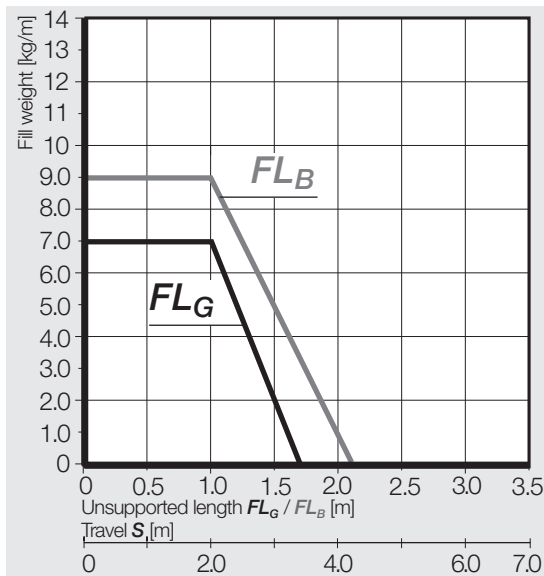
**e-tubes | Series RX48 | Lids removable along the outer radius**

Part No.	Bi	Ba	R Available bend radii	RX48
e-tubes	[mm]	[mm]	[mm]	[kg/m]
RX48.120.R.0	120	147.6	120   150   175*   200*   225*   250*   275*   300*   325*	≈ 2.76

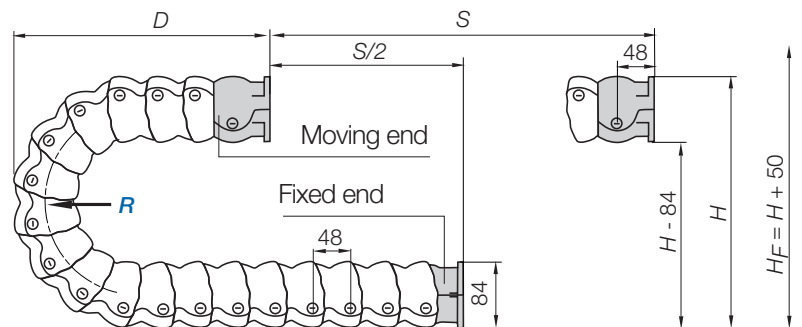
\*Radius available upon request. Please consult igus® for delivery time.

Complete Part No. with required radius (R). Example: **RX48.120.120.0**

**Installation dimensions**



Inner height [mm]	62
Pitch [mm/link]	48
Links/m	21
corresponds to [mm]	1,008
Chain length	$L_K = \frac{S}{2} + K$



R	120	150	175*	200*	225*	250*	275*	300*	325*
H	324	384	434	484	534	584	634	684	734
D	234	264	289	314	339	364	389	414	439
K	475	570	650	725	805	885	960	1,040	1,120

The required clearance height:  $H_F = H + 50$  mm (with 0.5 kg/m fill weight)

\*Radius available upon request. Please consult igus® for delivery time.