

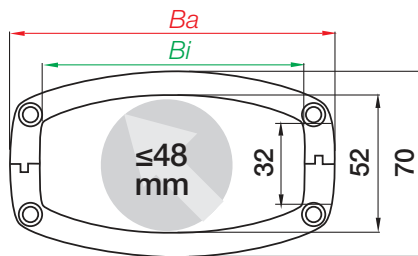
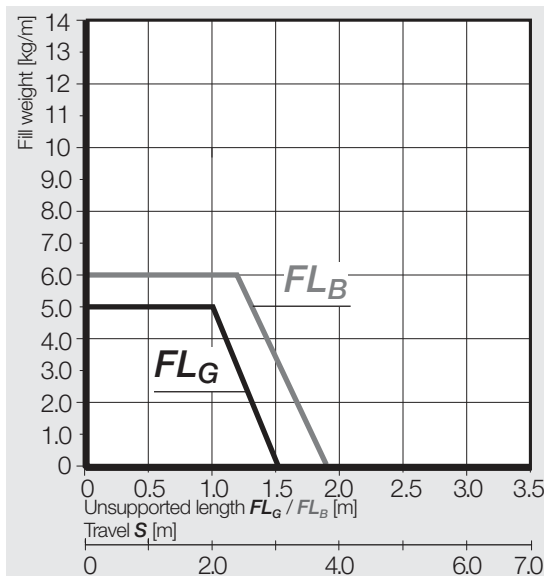


e-tubes | Series RX40 | Lids removable along the outer radius

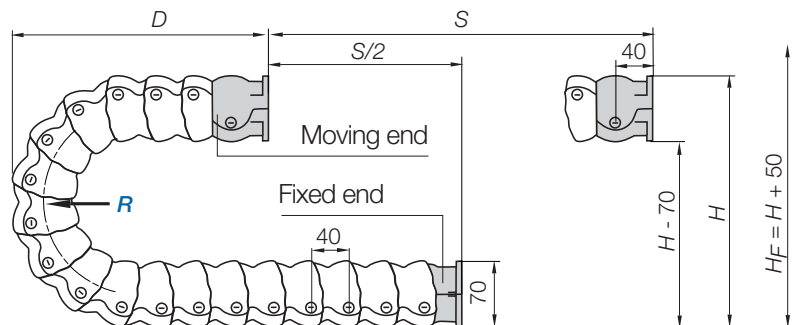
Part No.	<i>Bi</i>	<i>Ba</i>	<i>R</i> Available bend radii	RX40
e-tubes	[mm]	[mm]	[mm]	[kg/m]
RX40. 100 .R.0	100	123	100 125 150 175 200 225 250 275 300	≈ 1.89

Complete Part No. with required radius (*R*). Example: **RX40.080.080.0**

Installation dimensions



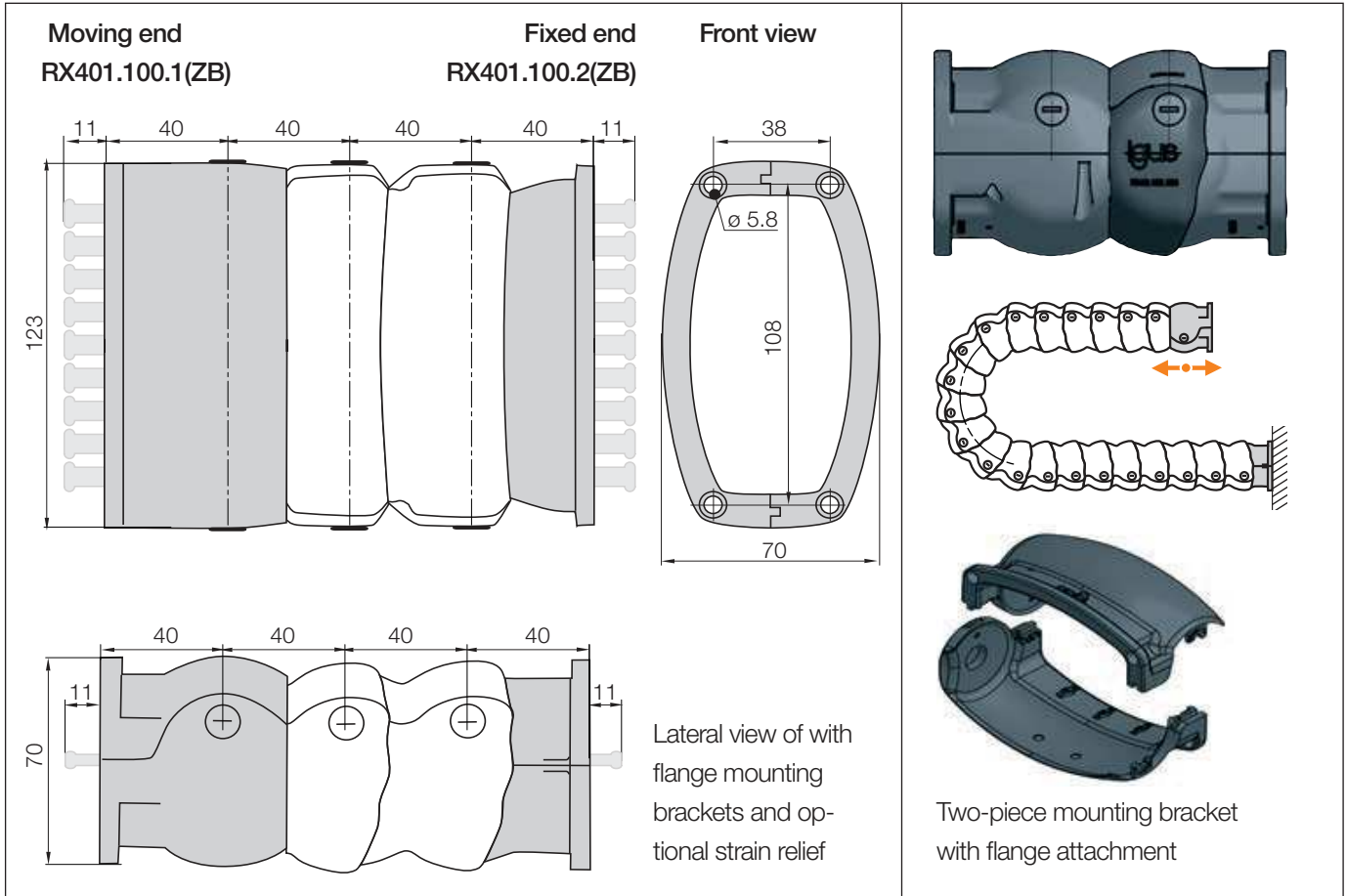
Inner height [mm]	52
Pitch [mm/link]	40
Links/m	25
corresponds to [mm]	1,000
Chain length	$L_K = \frac{S}{2} + K$




<i>R</i>	100	125	150	175	200	225	250	275	300
<i>H</i>	270	320	370	420	470	520	570	620	670
<i>D</i>	195	220	245	270	295	320	345	370	395
<i>K</i>	395	475	555	630	710	790	870	945	1,025

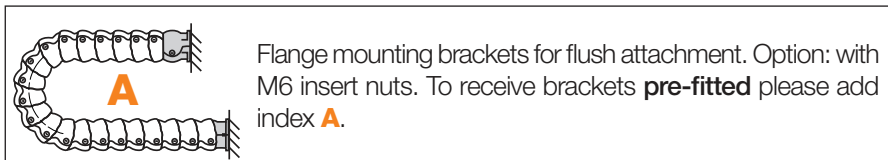
The required clearance height: $H_F = H + 50\text{ mm}$ (with 0.5 kg/m fill weight)

Mounting brackets, flange | Polymer, two-piece | Locking



Mounting brackets, flange | Locking

Width index	 Part No. full set with tiwrap plates	Part No. full set without tiwrap plates	Number of teeth
100. ▶	RX401.100.12ZB	RX401.100.12	10

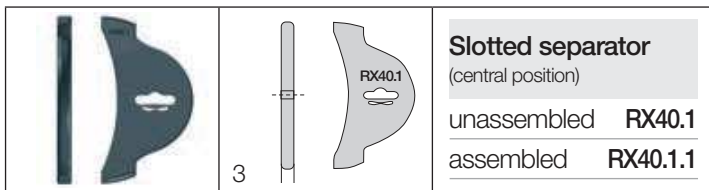
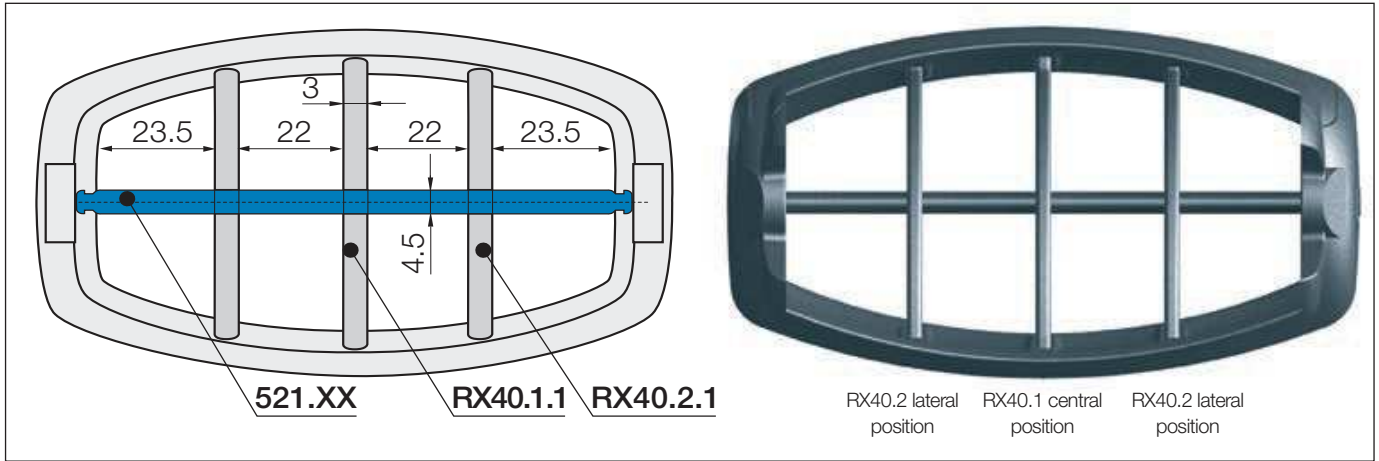


RX401.100.12ZB A Order example

- A** ... To indicate option with brackets pre-fitted
- With integrated strain relief tiwrap plates
- Full set
- Width index
- Series

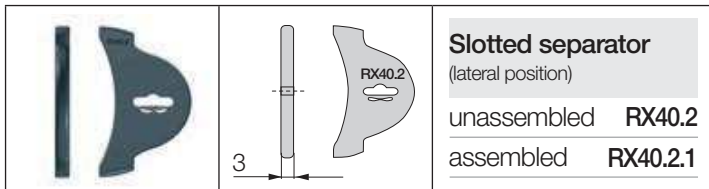
 **Strain relief** e.g. clamps, tiwrap plates, nuggets and plug-in clips are available from stock. The complete chainfix range with ordering options ▶ From page 1098

Interior separation



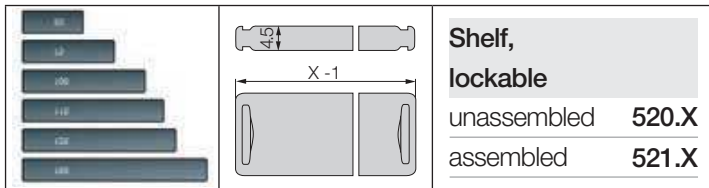
Slotted separator
(central position)

unassembled **RX40.1**
assembled **RX40.1.1**



Slotted separator
(lateral position)

unassembled **RX40.2**
assembled **RX40.2.1**



Shelf,
lockable

unassembled **520.X**
assembled **521.X**

Vertical separation - slotted separators:

RX40.1 (central position)

RX40.2 (lateral position)

Vertical separation of the large interior space using cable-friendly, polymer separators. Due to their slots, basic vertical and horizontal shelving arrangements are possible. As standard igus® separators should be fitted every 2nd e-chain® link.

Horizontal separation

Full-width shelf locks securely into separators at both ends, giving a fixed width. Can be used as full-width or partial shelf.



Shelves

Width = X [mm]

X [mm]	unassembled	assembled	X [mm]	unassembled	assembled
029	520.29	521.29	079	520.79	521.79
054	520.54	521.54	104	520.104	521.104

Hot chips up to +850°C

- e-tubes to withstand +850°C hot chips, as a special option
- No hot chips melting or embedding into the chain
- Option possible in igus® igumid HT material

More information ► www.igus.eu/HT



Steel support tray for support of the lower run

- Simple one-piece support trays for the lower run
- To meet your requirements and specification
- Guides the RX e-tube safely and lets the chips pass through easily
- Available in different lengths

More information ► www.igus.eu/RX



Strain relief block for flange mounting brackets

- Strain relief block to your specifications
- Fast assembly
- Can be integrated in the RX e-tube flange mounting bracket

More information ► www.igus.eu/RX40



Chip tests at the igus® test-lab prove the excellent sealing of igus® RX e-tube. Video online ► www.igus.eu/RX_tested