

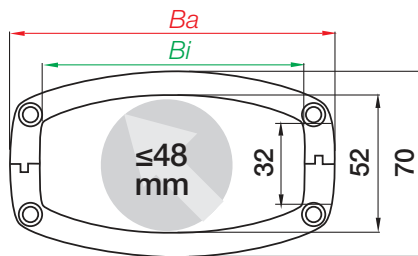
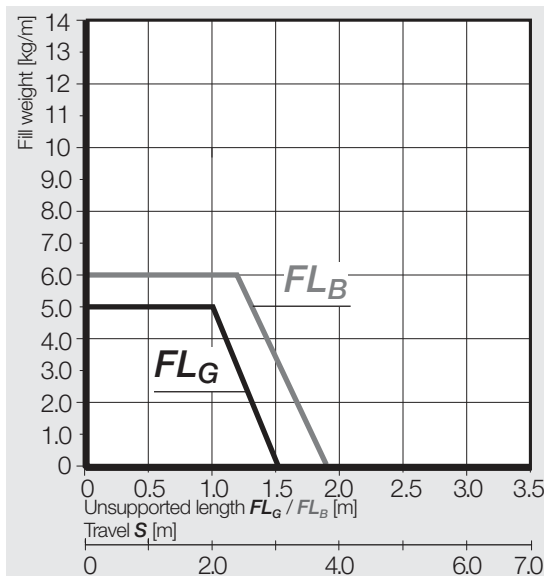


**e-tubes | Series RX40 | Lids removable along the outer radius**

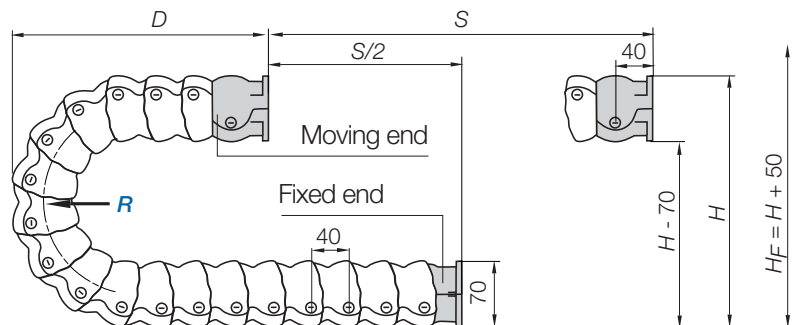
Part No.	<i>Bi</i>	<i>Ba</i>	<i>R</i> Available bend radii	RX40
e-tubes	[mm]	[mm]	[mm]	[kg/m]
RX40. 100 .R.0	100	123	100   125   150   175   200   225   250   275   300	≈ 1.89

Complete Part No. with required radius (*R*). Example: **RX40.080.080.0**

**Installation dimensions**



Inner height [mm]	52
Pitch [mm/link]	40
Links/m	25
corresponds to [mm]	1,000
Chain length	$L_K = \frac{S}{2} + K$



<i>R</i>	100	125	150	175	200	225	250	275	300
<i>H</i>	270	320	370	420	470	520	570	620	670
<i>D</i>	195	220	245	270	295	320	345	370	395
<i>K</i>	395	475	555	630	710	790	870	945	1,025

The required clearance height:  $H_F = H + 50$  mm (with 0.5 kg/m fill weight)