



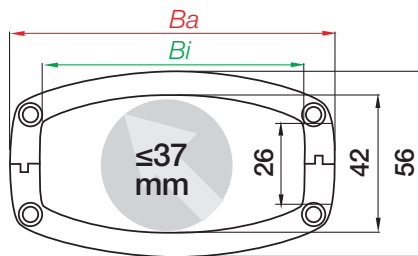
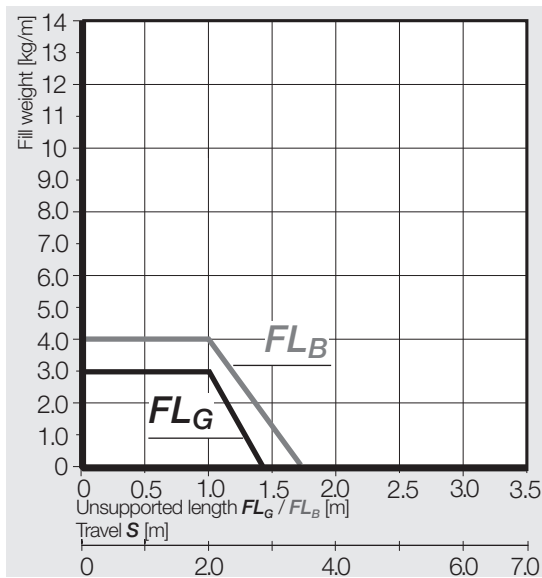
**e-tubes | Series RX32 | Lids removable along the outer radius**

Part No.	<i>Bi</i>	<i>Ba</i>	<i>R</i> Available bend radii	RX32
e-tubes	[mm]	[mm]	[mm]	[kg/m]
RX32. 080 .R.0	80	98.4	080   100   125   150   175   200*   225*   250*	≈ 1.23

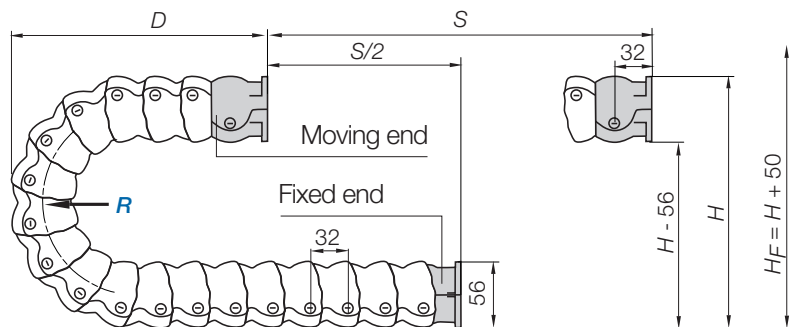
\*Radius available upon request. Please consult igus® for delivery time.

Complete Part No. with required radius (*R*). Example: **RX32.080.080.0**

**Installation dimensions**



Inner height [mm]	42
Pitch [mm/link]	32
Links/m	32
corresponds to [mm]	1,024
Chain length	$L_K = \frac{S}{2} + K$

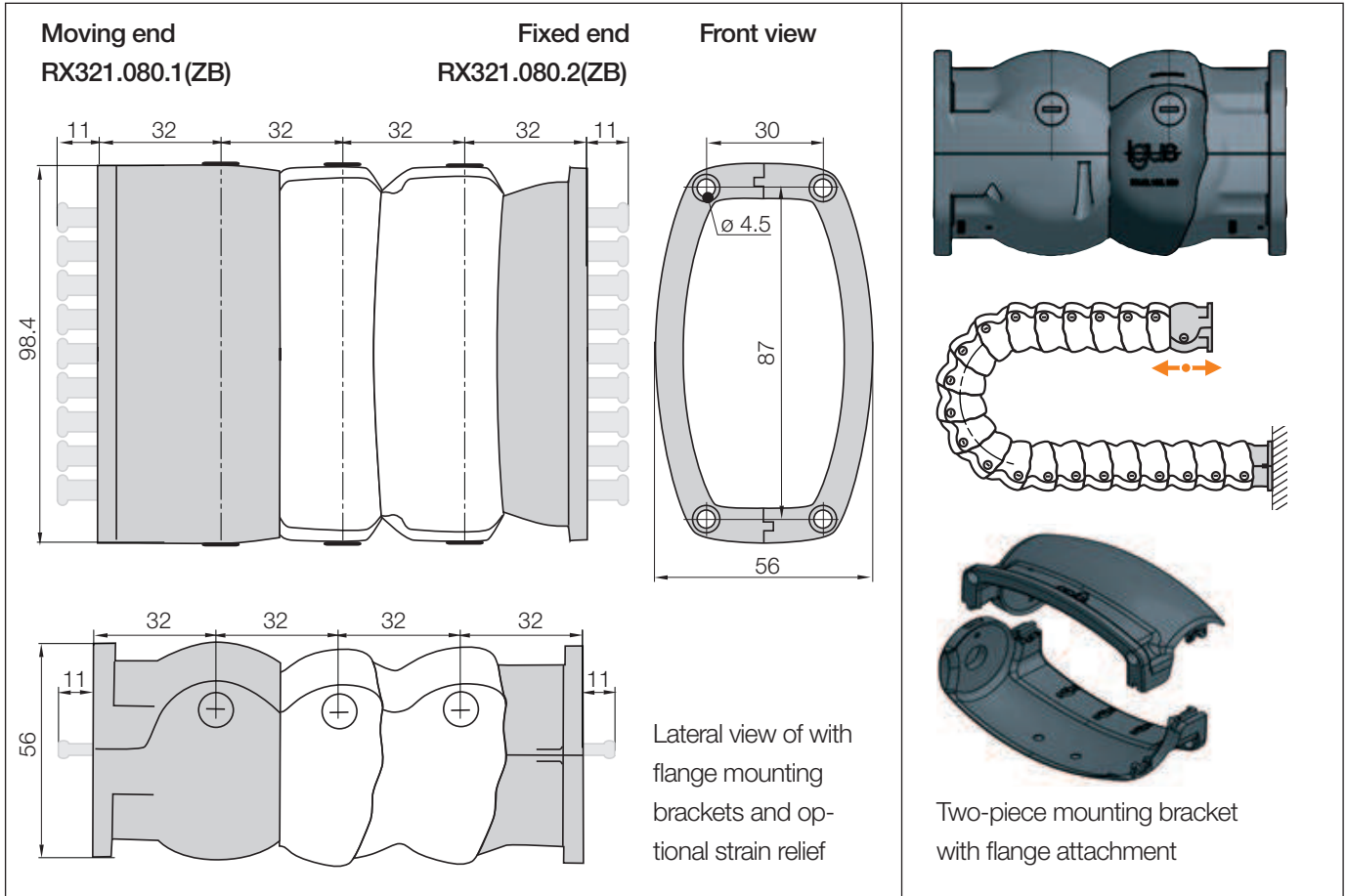


<i>R</i>	080	100	125	150	175	200*	225*	250*
<i>H</i>	216	256	306	356	406	456	506	556
<i>D</i>	156	176	201	226	251	276	301	326
<i>K</i>	320	380	460	540	615	695	775	850

The required clearance height:  $H_F = H + 50$  mm (with 0.5 kg/m fill weight)

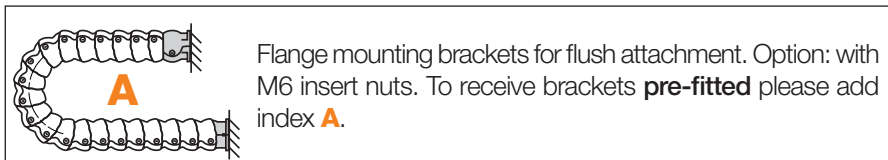
\*Radius available upon request. Please consult igus® for delivery time.

## Mounting brackets, flange | Polymer, two-piece | Locking



## Mounting brackets, flange | Locking

Width index	Standard	Part No. full set with tiewrap plates	Part No. full set without tiewrap plates	Number of teeth
080. ▶		RX321.080.12ZB	RX321.080.12	8

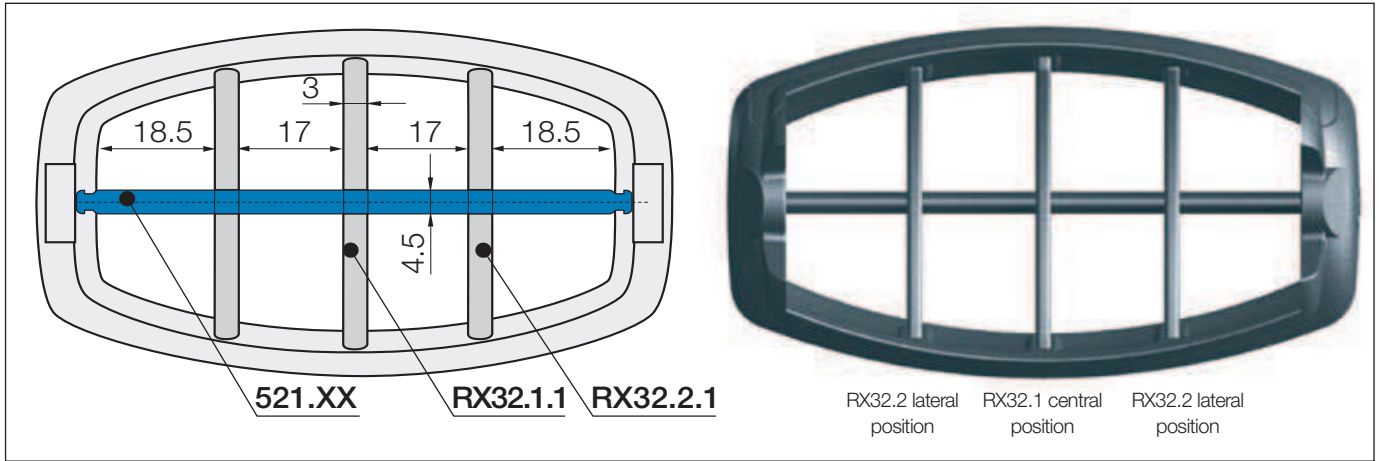


**RX321.080.12ZB A** Order example

- A** ... To indicate option with brackets pre-fitted
- With integrated strain relief tiewrap plates
- Full set
- Width index
- Series

 **Strain relief** e.g. clamps, tiewrap plates, nuggets and plug-in clips are available from stock. The complete chainfix range with ordering options ▶ From page 1098

Interior separation



Vertical separation - slotted separators:

RX32.1 (central position)

RX32.2 (lateral position)

Vertical separation of the large interior space using cable-friendly, polymer separators. Due to their slots, basic vertical and horizontal shelving arrangements are possible. As standard igus® separators should be fitted every 2<sup>nd</sup> e-chain® link.

Horizontal separation

Full-width shelf locks securely into separators at both ends, giving a fixed width. Can be used as full-width or partial shelf.



Shelves

Width = X [mm]

X [mm]	unassembled	assembled	X [mm]	unassembled	assembled
024	520.24	521.24	064	520.64	521.64
044	520.44	521.44	084	520.84	521.84

## Hot chips up to +850°C

- e-tubes to withstand +850°C hot chips, as a special option
- No hot chips melting or embedding into the chain
- Option possible in igus® igumid HT material

More information ► [www.igus.eu/HT](http://www.igus.eu/HT)



## Steel support tray for support of the lower run

- Simple one-piece support trays for the lower run
- To meet your requirements and specification
- Guides the RX e-tube safely and lets the chips pass through easily
- Available in different lengths

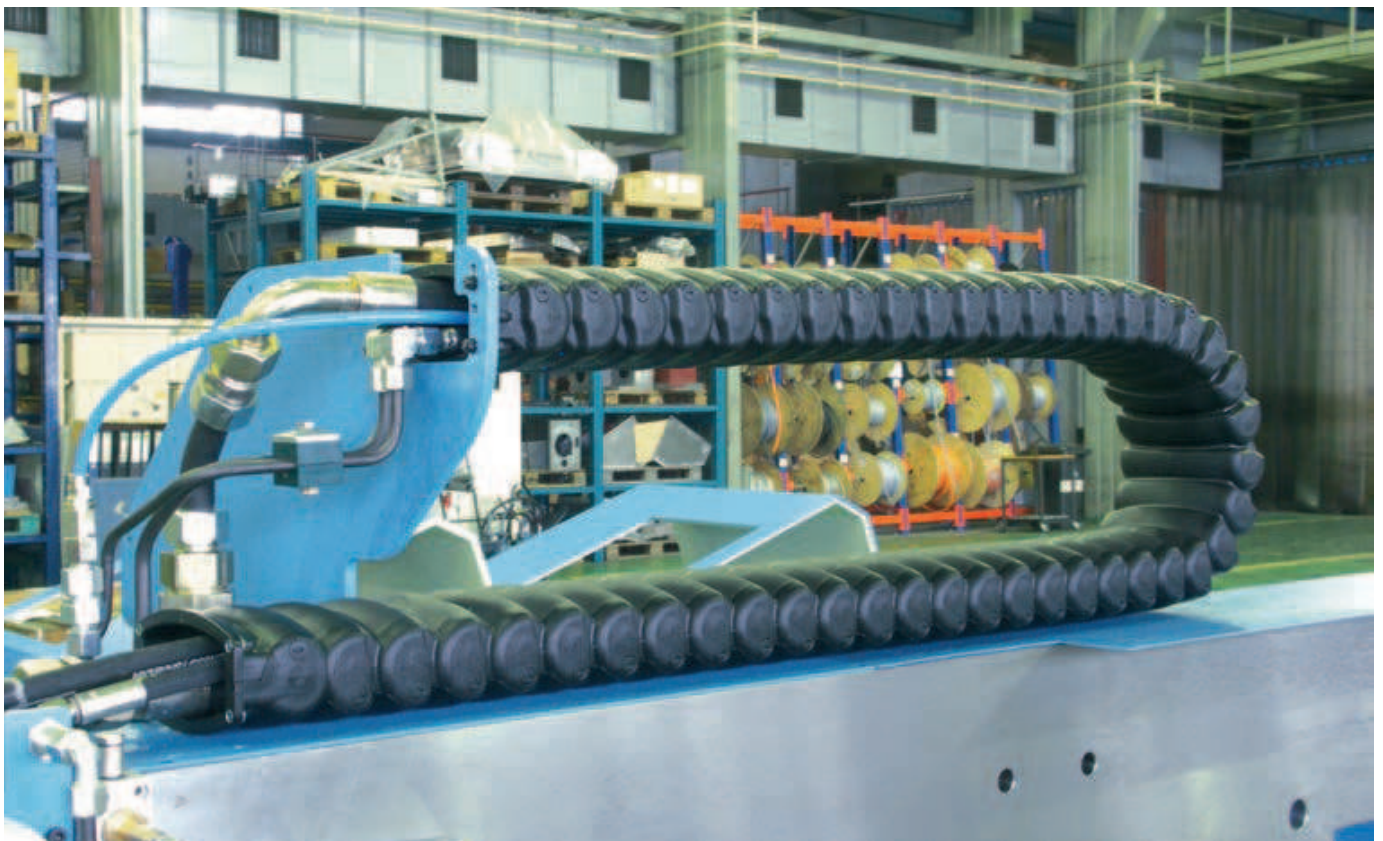
More information ► [www.igus.eu/RX](http://www.igus.eu/RX)



## Strain relief block for flange mounting brackets

- Strain relief block to your specifications
- Fast assembly
- Can be integrated in the RX e-tube flange mounting bracket

More information ► [www.igus.eu/RX32](http://www.igus.eu/RX32)



Supply of the main spindle in a tooling machine with igus® RX e-tube. The rounded contour of the energy supply repels all kind of chips