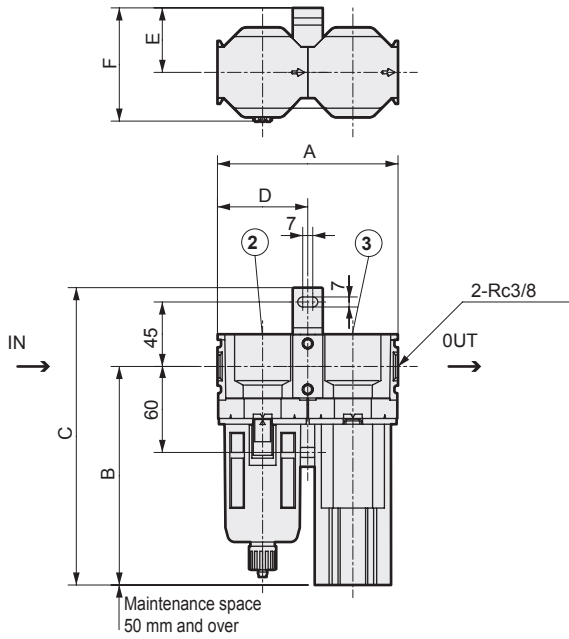


### Dimensions

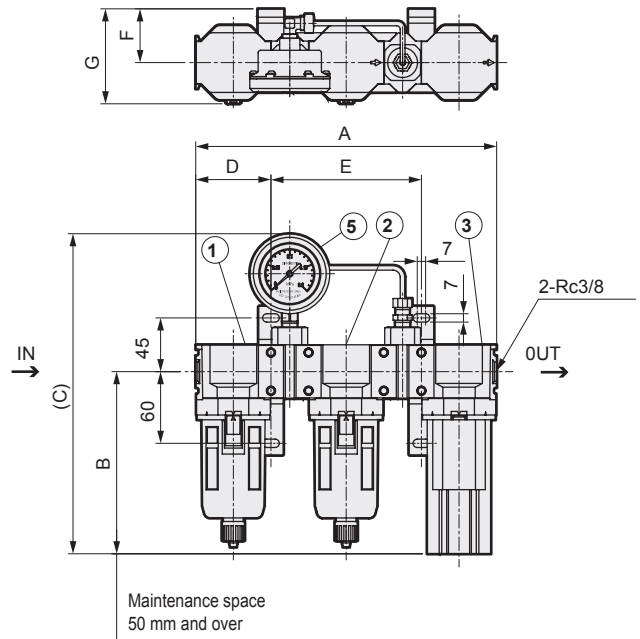


#### ● Unit C1 type



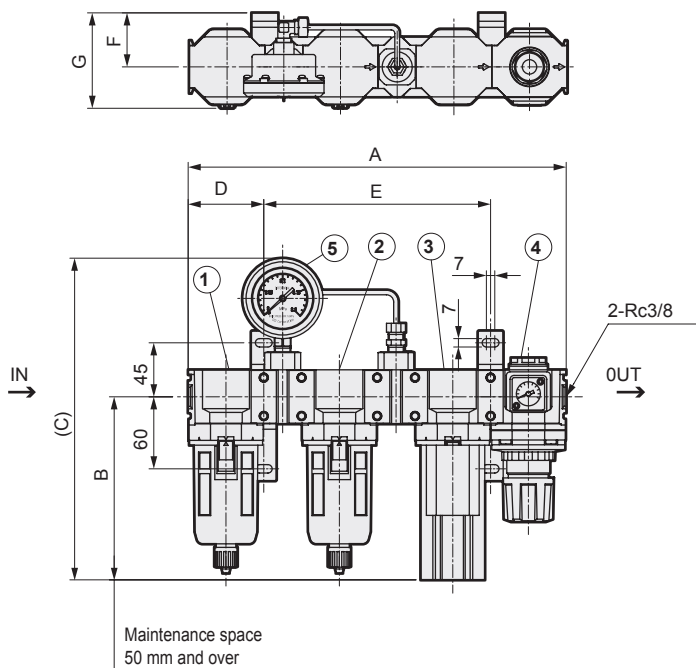
	A	B	C	D	E	F	Weight (kg)
SU301D-*-W-C1	143	171	224	80	55	97	1.3
SU302D-*-W-C1	143	223	278	80	55	97	1.6
SU401D-*-W-C1	160	328	383	80	55	95	3.1
SU402D-*-W-C1	160	328	383	80	55	95	3.5

#### ● Unit C2 type



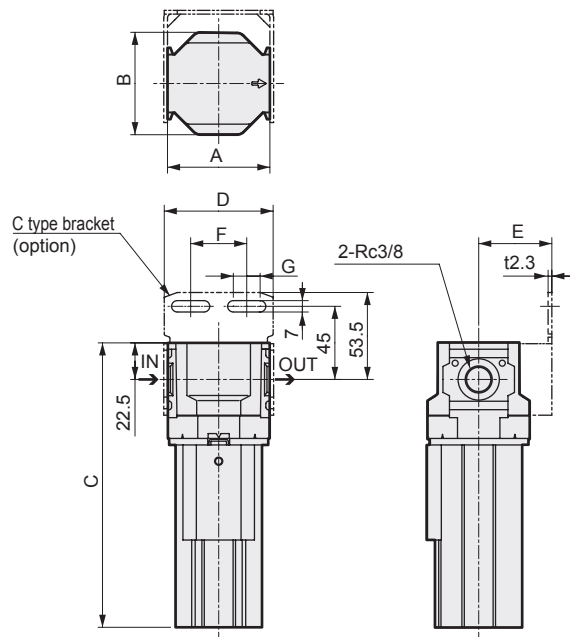
	A	B	C	D	E	F	G	Weight (kg)
SU301D-*-W-C2	286	171	286	80	143	55	97	2.5
SU302D-*-W-C2	286	223	338	80	143	55	97	2.8
SU401D-*-W-C2	303	328	443	80	143	55	97	4.3
SU402D-*-W-C2	303	328	443	80	143	55	97	4.7

#### ● Unit C3 type



	A	B	C	D	E	F	G	Weight (kg)
SU301D-*-W-C3	366	171	286	80	206	55	97	3.2
SU302D-*-W-C3	366	223	338	80	206	55	97	3.5
SU401D-*-W-C3	383	328	443	80	223	55	97	5.0
SU402D-*-W-C3	383	328	443	80	223	55	97	5.4

#### ● SD300D/SD400D



	A	B	C	D	E	F	G	Weight (kg)
SD301D-*-W	63	63	175	67	45	34.5	16.5	0.6
SD302D-*-W	63	63	245	67	45	34.5	16.5	0.9
SD401D-*-W	80	80	245	84	55	55	14	1.4
SD402D-*-W	80	80	315	84	55	55	14	1.8

F.R.L. unit

Pneumatic auxiliary components

Air unit components

Precision components

Pressure sensor

Sensor/controller

Total air system

Main line unit

Ending

Clean air unit

Air unit

High polymer membrane air dryer