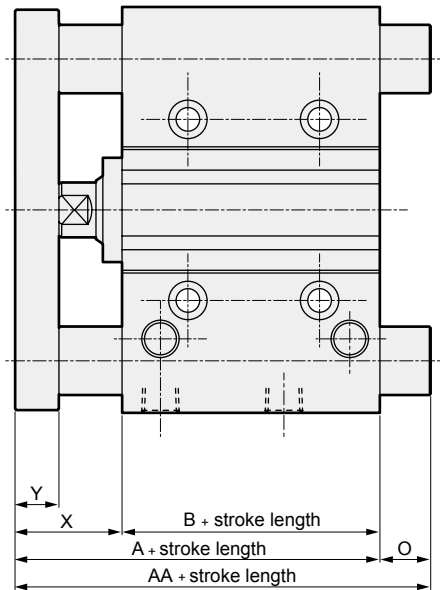


Dimensions



● STG-MG₃



* Dimensions not listed below are the same as those of double acting/single rod on pages 345 and 346.
 *1: When using a custom stroke length, the total dimensions are the same as the longer standard stroke length.

● STG-M-G2/G3

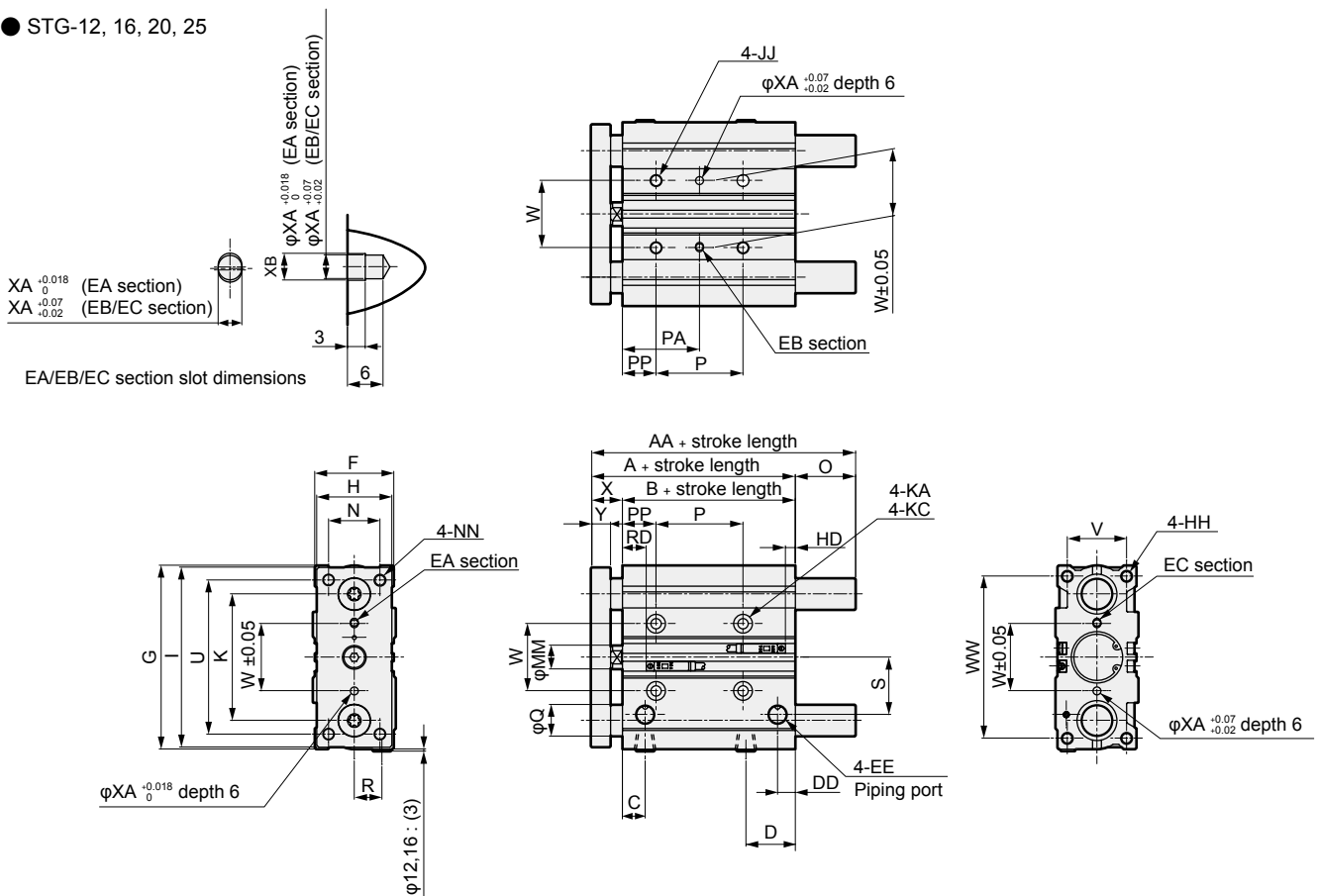
Code Bore size (mm)	Standard stroke length	A	AA			B	O			X	Y
			50 st or less	Over 50 st to 200 st	Over 200 st		50 st or less	Over 50 st to 200 st	Over 200 st		
φ20	20,30,40,50,75,100,125,150,175	66	66	91	135	37	0	25	69	29 ⁰ _{±0.1}	9.5
φ25	200,250,300,350,400	67.5	67.5	98	136	37.5	0	30.5	68.5	30 ⁰ _{±0.1}	9.5
φ32	25,50,75,100,125,150,175 200,250,300,350,400	71.5	91	112	152	37.5	19.5	40.5	80.5	34 ⁰ _{±0.1}	11.5
φ40		78	91	112	152	44	13	34	74	34 ⁰ _{±0.1}	11.5
φ50		83	102	127	172	44	19	44	89	39 ⁰ _{±0.1}	15.5
φ63		88	102	127	172	49	14	39	84	39 ⁰ _{±0.1}	15.5

- LCW
- LCR
- LCG
- LCX
- LCM
- STM
- STG**
- STS/STL
- STR2
- UCA2
- ULK*
- JSK/M2
- JSG
- JSC3/JSC4
- USSD
- UFCD
- USC
- JSB3
- LMB
- LML
- HCM
- HCA
- LBC
- CAC4
- UCAC2
- CAC-N
- UCAC-N
- RCC2
- RCS
- PCC
- SHC
- MCP
- GLC
- MFC
- BBS
- RRC
- GRC
- RV3*
- NHS
- HR
- LN
- Hand
- Chuk
- MecHnd/Chuk
- ShkAbs
- FJ
- FK
- SpdContr
- Ending

Dimensions (φ12, φ16, φ20, φ25)



● STG-12, 16, 20, 25



● STG-M/B common

Code	Standard stroke length (mm)											A	B	C	D	DD	EE	F	G	H	HH	I	JJ
$\phi 12$	10,20,30,40,50,75,100,125											42	29	12	16	7	M5	26	58	22	M4 depth 10	56	M5 depth 10
$\phi 16$	150,175,200,250											46	33	12	18	7.5	M5	30	64	25	M5 depth 12	62	M5 depth 10
$\phi 20$	20,30,40,50,75,100,125,150											53	37	10.5	24.5	8.5	Rc1/8	36	83	30	M5 depth 13	81	M6 depth 12
$\phi 25$	175,200,250,300,350,400											53.5	37.5	11.5	25	9	Rc1/8	42	93	38	M6 depth 15	91	M6 depth 12

Code	P																														
Bore size (mm)	K	KA	MM	N	NN	KC	30 or less					Over 30 to 100					Over 100 to 200					Over 200 to 300					Over 300				
							$\phi 12$	41	4.3 through	6	14	M4 through	7.5 spot face depth 4.5	20					40					110					200		
$\phi 16$	46	4.3 through	8	16	M5 through	8 spot face depth 4.5	24					44					110					200					-				
$\phi 20$	54	5.2 through	10	18	M5 through	9.5 spot face depth 5.5	24					44					120					200					300				
$\phi 25$	64	5.2 through	12	26	M6 through	9.5 spot face depth 5.5	24					44					120					200					300				

Code	PA											P																												
Bore size (mm)	30 or less					Over 30 to 100					Over 100 to 200					Over 200 to 300					Over 300					PP	R	S	U	V	W	WW	X	Y	T0/T5/T2/T3	T2W/T3W	XA	XB		
	$\phi 12$	15					25					60					105					-																	5	8
$\phi 16$	17					27					60					105					-					5	10	18	54	22	24	56	$13 \begin{smallmatrix} 0 \\ -1.5 \end{smallmatrix}$	7.5	4	10	6	12	3	3.5
$\phi 20$	29					39					77					117					167					17	11	25	70	24	28	72	$16 \begin{smallmatrix} 0 \\ -2 \end{smallmatrix}$	9.5	9.5	8.5	11.5	10.5	3	3.5
$\phi 25$	29					39					77					117					167					17	14	29	78	30	34	82	$16 \begin{smallmatrix} 0 \\ -2 \end{smallmatrix}$	9.5	10	8.5	12	10.5	4	4.5

● STG-M

Code	AA				Q	O		
Bore size (mm)	50 or less	Over 50 to 100	Over 100	50 or less		Over 50 to 100	Over 100	
$\phi 12$	42	55	85	8	0	13	43	
$\phi 16$	46	63	95	10	0	17	49	

Code	AA				Q	O		
Bore size (mm)	50 or less	Over 50 to 200	Over 200	50 or less		Over 50 to 200	Over 200	
$\phi 20$	53	78	122	12	0	25	69	
$\phi 25$	53.5	84	122	16	0	30.5	68.5	

● STG-B

Code	AA				Q	O			
Bore size (mm)	30 or less	Over 30 to 100	Over 100	Over 200		30 or less	Over 30 to 100	Over 100	Over 200
$\phi 12$	43	55	85	6	1	13	43		
$\phi 16$	49	65	95	8	3	19	49		

Code	AA				Q	O			
Bore size (mm)	30 or less	Over 30 to 100	Over 100 to 200	Over 200		30 or less	Over 30 to 100	Over 100 to 200	Over 200
$\phi 20$	59	78	100	122	10	6	25	47	69
$\phi 25$	65	84	103	122	13	11.5	30.5	49.5	68.5

*1 : When using a custom stroke length, the total dimensions are the same as the longer standard stroke length.

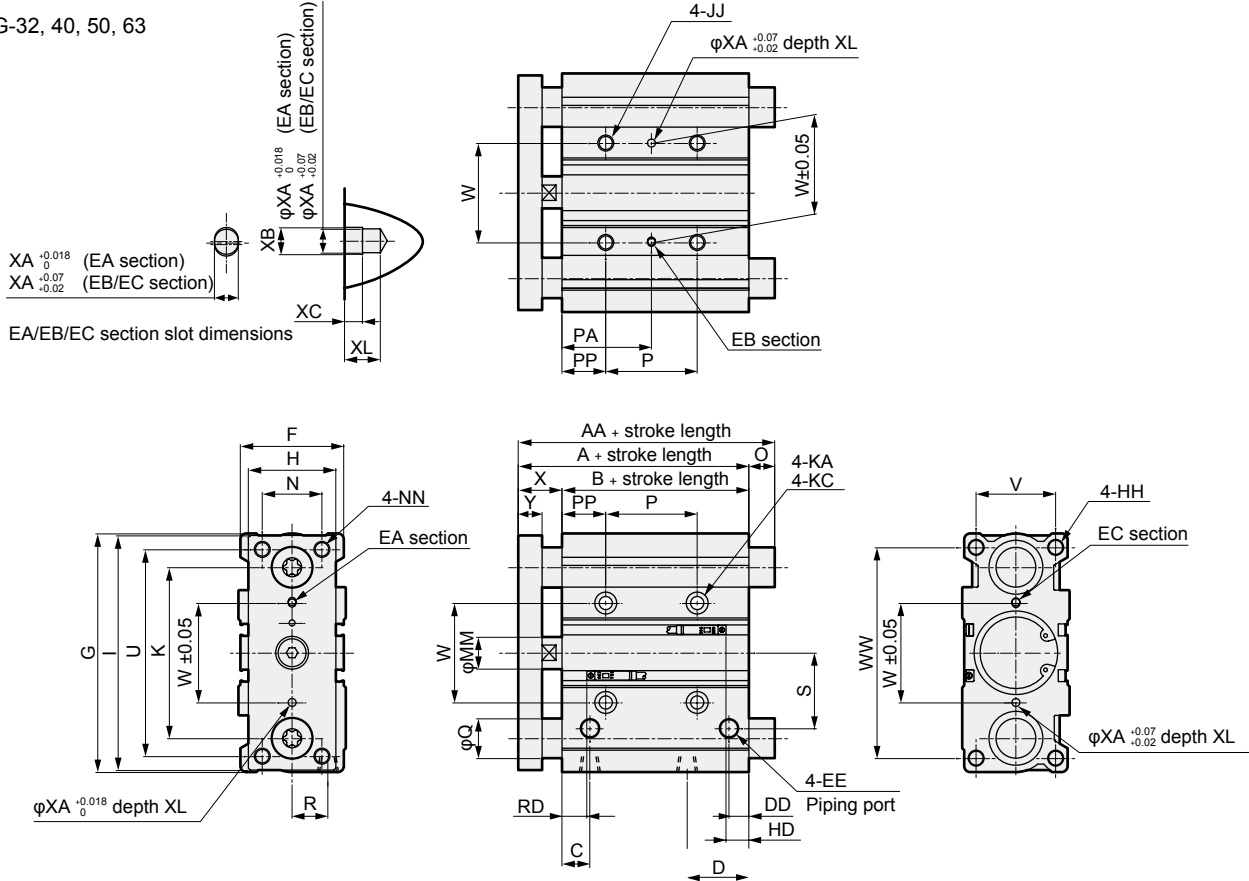
*2 : Refer to page 410 for RD, HD and protruding dimensions of the 2-color display (except for T2WH/V and T3WH/V), off-delay, AC magnetic field proof, T1H/V and T8H/V switches.

LCW
LCR
LCG
LCX
LCM
STM
STG
STS/STL
STR2
UCA2
ULK*
JSK/M2
JSG
JSC3/JSC4
USSD
UFCD
USC
JSB3
LMB
LML
HCM
HCA
LBC
CAC4
UCAC2
CAC-N
UCAC-N
RCC2
RCS
PCC
SHC
MCP
GLC
MFC
BBS
RRC
GRC
RV3*
NHS
HR
LN
Hand
Chuk
MecHnd/Chuk
ShkAbs
FJ
FK
SpdContr
Ending



Dimensions (φ32, φ40, φ50, φ63)

● STG-32, 40, 50, 63



● STG-M/B common

Code	Standard stroke length (mm)	A	B	C	D	DD	EE	F	G	H	HH	I	JJ	K	KA
φ32	25,50,75,100,125,	59.5	37.5	12.5	30.5	9	Rc1/8	48	112	44	M8 depth 20	110	M8 depth 16	78	6.3 through
φ40	150,175,200,250,	66	44	14	31	10	Rc1/8	54	120	44	M8 depth 20	118	M8 depth 16	86	6.3 through
φ50	300,350,400	72	44	14	35	11	M10 depth 22	64	148	60	M10 depth 22	146	M10 depth 20	110	8.6 through
φ63		77	49	16.5	35	15	Rc1/4	78	162	70	M10 depth 22	158	M10 depth 20	124	8.6 through

Code	P					PA					
Bore size (mm)	KC	MM	N	NN	25 or less	Over 25 to 100	Over 100 to 200	Over 200 to 300	Over 300	25 or less	Over 25 to 100
φ32	11 spot face depth 7.5	16	30	M8 through	24	48	124	200	300	33	45
φ40	11 spot face depth 7.5	16	30	M8 through	24	48	124	200	300	34	46
φ50	14 spot face depth 9	20	40	M10 through	24	48	124	200	300	36	48
φ63	14 spot face depth 9	20	50	M10 through	28	52	128	200	300	38	50

Code	PA			PP	R	S	U	V	W	WW	X	Y	T0/T5/T2/T3		T2W/T3W		XA	XB	XC	XL
Bore size (mm)	Over 100 to 200	Over 200 to 300	Over 300										RD	HD	RD	HD				
φ32	83	121	171	21	15	34	96	34	42	98	22 ⁰ / ₂	11.5	10	8.5	12	10.5	4	4.5	3	6
φ40	84	122	172	22	18	38	104	40	50	106	22 ⁰ / ₂	11.5	13	12	15	14	4	4.5	3	6
φ50	86	124	174	24	21.5	47	130	46	66	130	28 ⁰ / ₂	15.5	13.5	11.5	15.5	13.5	5	6	4	8
φ63	88	124	174	24	28	55	130	58	80	142	28 ⁰ / ₂	15.5	14	16	16	18	5	6	4	8

● STG-M

Code	AA				Q	O		
Bore size (mm)	50 or less	Over 50 to 200	Over 200	50 or less		Over 50 to 200	200 Over	
φ32	79	100	140	20	19.5	40.5	80.5	
φ40	79	100	140	20	13	34	74	
φ50	91	116	161	25	19	44	89	
φ63	91	116	161	25	14	39	84	

*1 : When using a custom stroke length, the total dimensions are the same as the longer standard stroke length.

*2 : Refer to page 410 for RD, HD and protruding dimensions of the 2-color display (except for T2WH/V and T3WH/V), off-delay, AC magnetic field proof, T1H/V and T8H/V switches.

● STG-B

Code	AA				Q	O			
Bore size (mm)	50 or less	Over 50 to 100	Over 100 to 200	Over 200		50 or less	Over 50 to 100	Over 100 to 200	Over 200
φ32	79	98	118	140	16	19.5	38.5	58.5	80.5
φ40	79	98	118	140	16	13	32	52	74
φ50	91	114	134	161	20	19	42	62	89
φ63	91	114	134	161	20	14	37	57	84