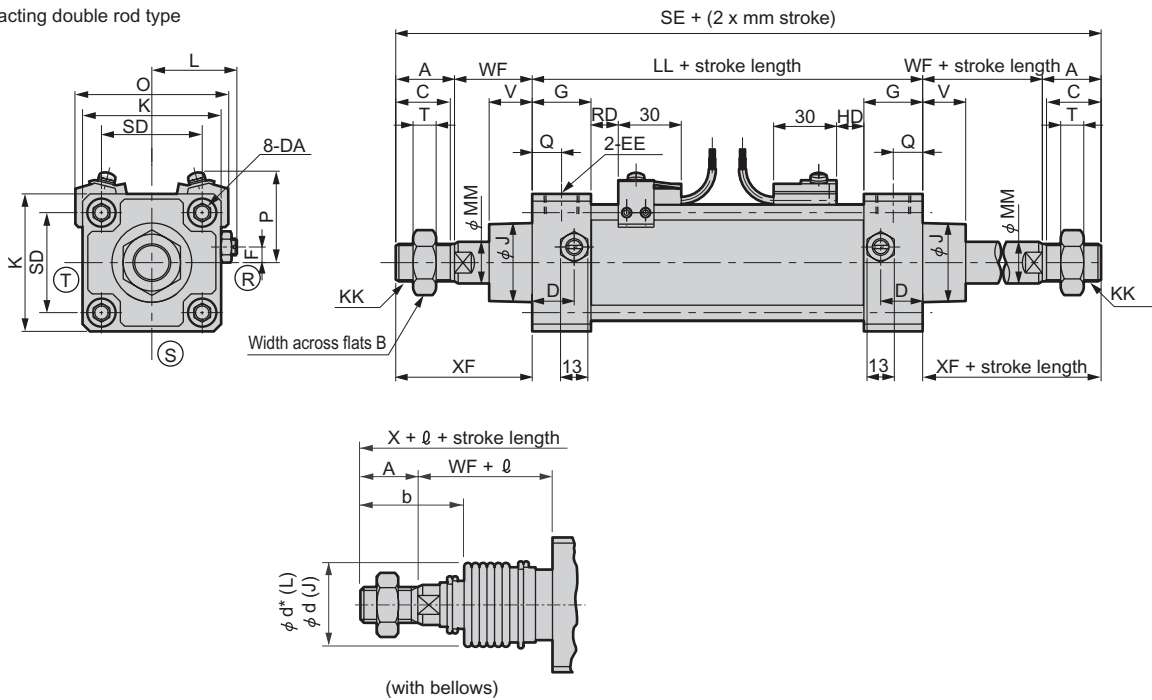


Dimensions



● Double acting double rod type



Note 1: (R)(S)(T) indicates a cushion needle position. Note 2: The position of the across flat for catching the wrench on the left and right is not specified.
 Note 2: Refer to page 597 for the projecting dimensions of T2YD switch.
 Note 3: Refer to page 598, 599 for accessory dimensions.

Symbol	Basic dimensions																				
	A	B	C	D	DA	EE	F	G	J	K	KK	L	LL	MM	Q	SE	SD	T	V	WF	XF
φ 40	22	22	20	18	M8	Rc1/4	7.5	26	31	57	M14 x 1.5	38 to 39.5	93	16	13	204	40.5	8	18.5	33.5	55.5
φ 50	28	27	26	20	M8	Rc3/8	0	28	38	66	M18 x 1.5	41 to 43.5	101	20	14	231	48	11	20.5	37	65
φ 63	28	27	26	22	M8	Rc3/8	0	30	38	80	M18 x 1.5	47.5 to 50.0	105	20	15	231	59	11	21	35	63
φ 80	36	32	34	26	M12	Rc1/2	0	34	43	98	M22 x 1.5	56 to 59	116	25	17	284	74	13	23.5	48	84
φ 100	45	41	43	28	M12	Rc1/2	0	36	51	118	M26 x 1.5	66 to 69	128	30	18	324	90	16	32	53	98

Symbol	With switch							With bellows															
	O	P	T0, T5, T2, T3		T1, T2Y, T3Y, T2YF/M		T8	l															
			RD	HD	RD	HD		RD/HD	A	X	b	d	d*	50 or less	50 to 100	100 to 150	150 to 200	200 to 300	300 to 400	400 to 500	Over 500		
φ 40	66	41.5	11	11	10	10	5	22	150.5	41	40	40	25.5	41.5	58.5	75.5	108.5	141.5	174.5	(stroke length/3.0) + 8			
φ 50	73	43	13	13	12	12	7	28	168.5	47	47	48	22	36	49	63	90	119	146	(stroke length/3.6) + 7.5			
φ 63	85	47	13	13	12	12	7	28	171	45	47	48	22	36	49	63	90	119	146	(stroke length/3.6) + 7.5			
φ 80	105	57	14.5	14.5	13.5	13.5	8.5	36	203.5	58.5	53	55	14	26	38	49	72	96	119	(stroke length/4.3) + 2.5			
φ 100	121	63	18.5	18.5	17.5	17.5	12.5	45	230	69.5	61	65	20	32	42	53	76	98	120	(stroke length/4.5) + 9			

Each mounting style installation dimension is same as SCA2 (standard). Refer to pages 450 to 455.

- SCP*2
- CMK2
- CMA2
- SCM
- SCG
- SCA2**
- SCS
- CKV2
- CA/OV2
- SSD
- CAT
- MDC2
- MVC
- SMD2
- MSD*
- FC*
- STK
- ULK*
- JSK/M2
- JSG
- JSC3
- USSD
- USC
- JSB3
- LMB
- STG
- STS/L
- LCS
- LCG
- LCM
- LCT
- LCY
- STR2
- UCA2
- HCM
- HCA
- SRL2
- SRG
- SRM
- SRT
- MRL2
- MRG2
- SM-25
- CAC3
- UCAC
- RCC2
- MFC
- SHC
- GLC
- Ending

Medium bore size cylinder
Standard type