

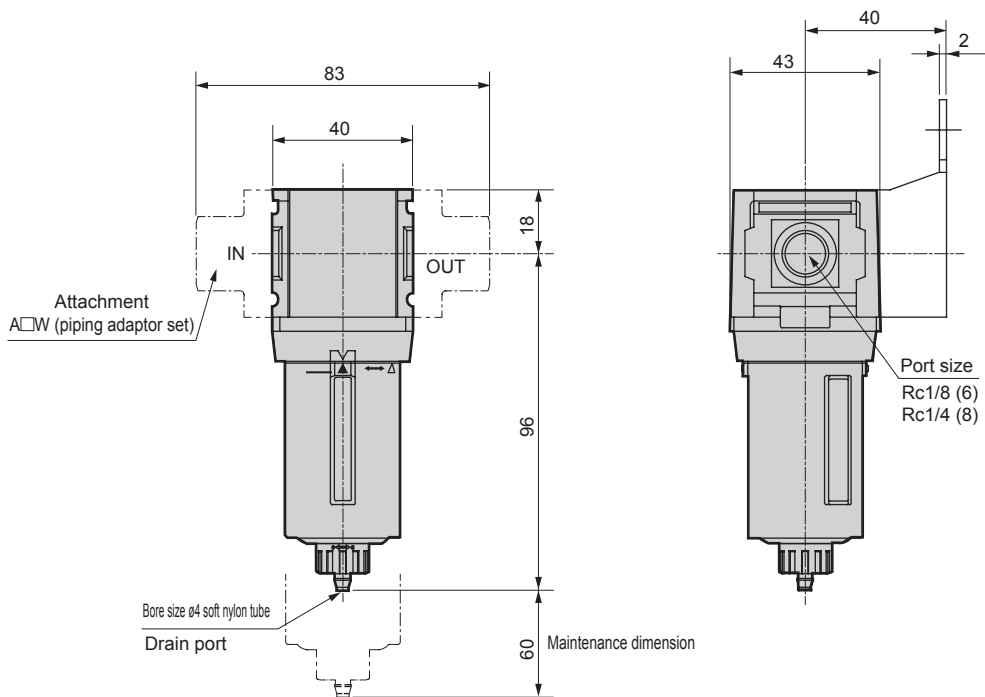
Super Oil Mist Filter Series

Dimensions

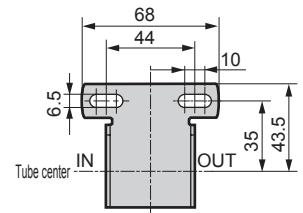


Refrigerating type dryer
Desiccant type dryer
High polymer membrane type dryer
Air filter
Auto. drain / others
F.R.L. (Module unit)
F.R.L. (Separate)
Compact F.R.
Precise regulator
F.R.L. (Related products)
Clean F.R.
Electro pneumatic regulator
Air booster
Speed control valve
Silencer
Check valve / others
Joint / tube
Vacuum filter
Vacuum regulator
Suction plate
Magnetic spring buffer
Mechanical pressure SW
Electronic pressure SW
Contact / close contact cont. SW
Air sensor
Pressure SW for coolant
Small flow sensor
Small flow controller
Flow sensor for air
Flow sensor for water
Total air system
Total air system (Gamma)
Ending

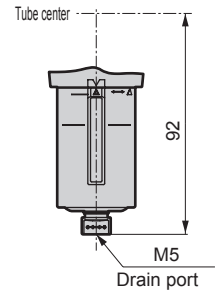
● MX1000-W



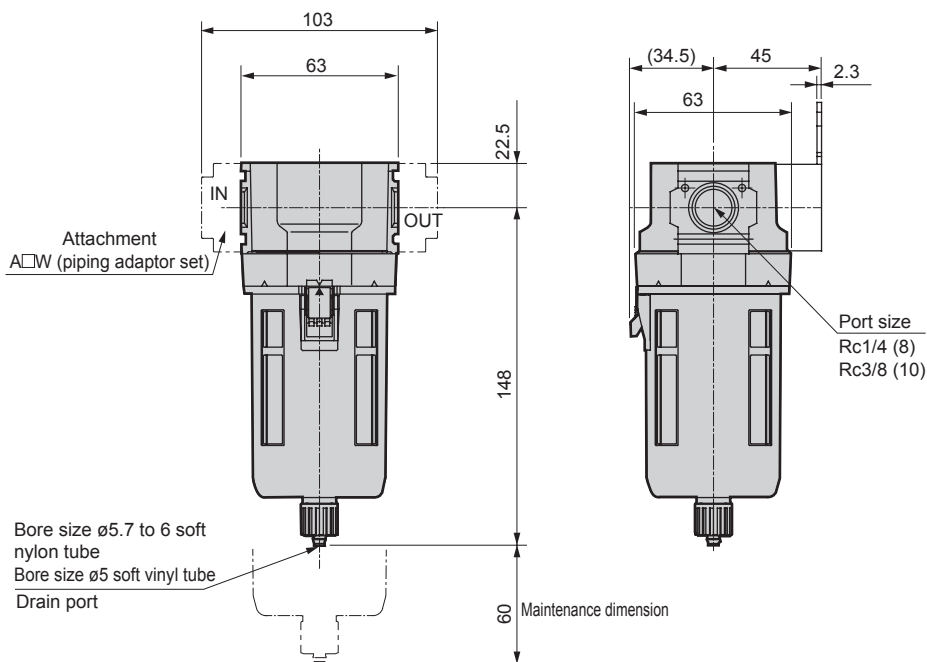
• Attachment
C type bracket (-BW)
Part model no.: B120



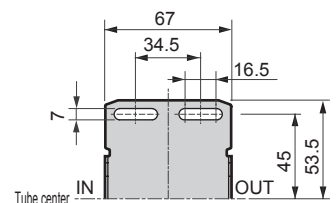
• Option dimensions with automatic drain (F1)



● MX3000-W



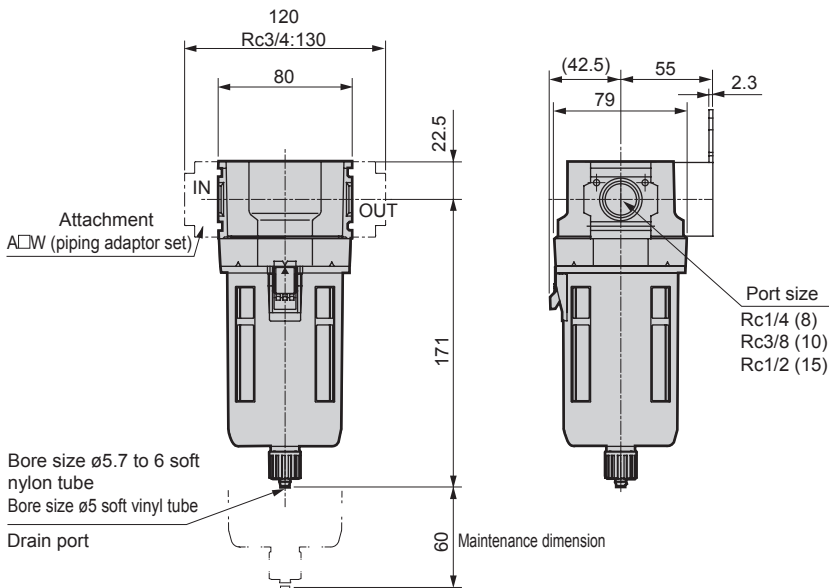
• Attachment
C type bracket (-BW)
Part model no.: B320



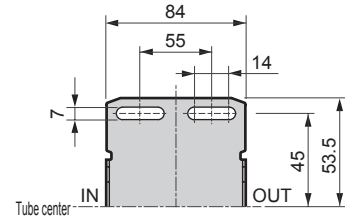
● For the plastic bowl, the dimensions are the same regardless of whether the manual cock or with automatic drain.
Note: The C-type bracket and piping adaptor set attachments cannot be used at the same time.

Dimensions

● MX4000-W

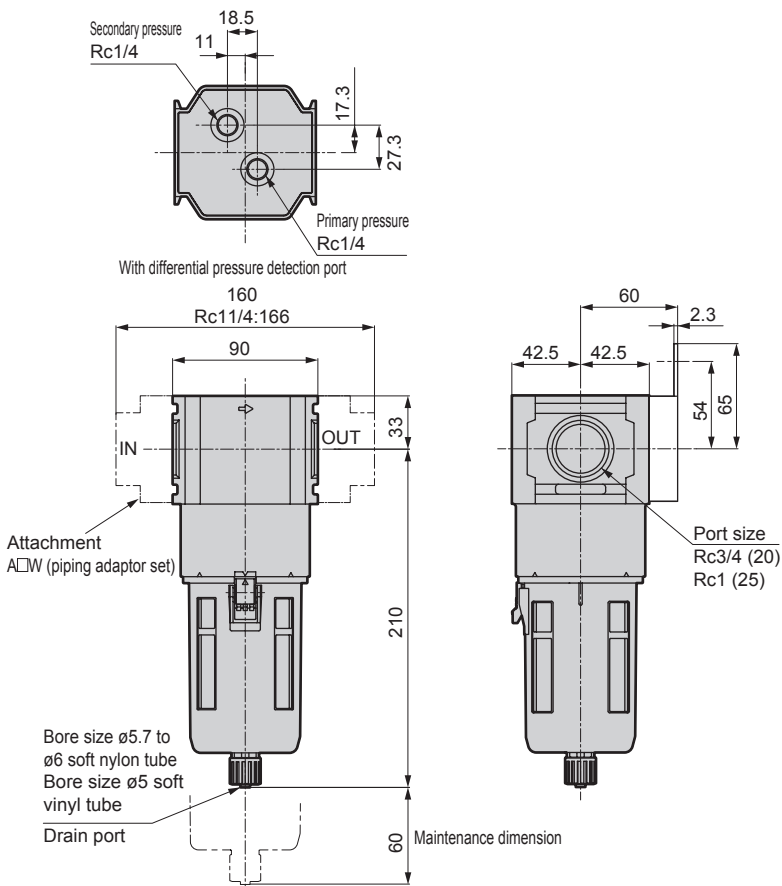


• Attachment
C type bracket (-BW)
Part model no.: B420

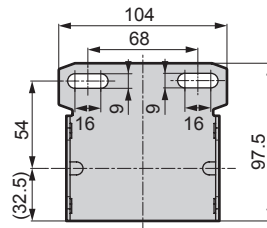


● For the plastic bowl, the dimensions are the same regardless of whether the manual cock or with automatic drain.

● MX6000-W



• Attachment
C type bracket (-BW)
Part model no.: B620



● For the plastic bowl, the dimensions are the same regardless of whether the manual cock or with automatic drain.
Note: The C-type bracket and piping adaptor set attachments cannot be used at the same time.

Refrigerating type dryer
Desiccant type dryer
High polymer membrane type dryer
Air filter
Auto. drain / others
F.R.L. (Module unit)
F.R.L. (Separate)
Compact F.R.
Precise regulator
F.R.L. (Related products)
Clean F.R.
Electro pneumatic regulator
Air booster
Speed control valve
Silencer
Check valve / others
Joint / tube
Vacuum filter
Vacuum regulator
Suction plate
Magnetic spring buffer
Mechanical pressure SW
Electronic pressure SW
Contact / close contact conf. SW
Air sensor
Pressure SW for coolant
Small flow sensor
Small flow controller
Flow sensor for air
Flow sensor for water
Total air system
Total air system (Gamma)
Ending

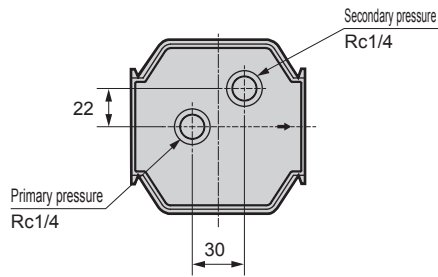
Standard series
F.R.L. unit

Super Oil Mist Filter series

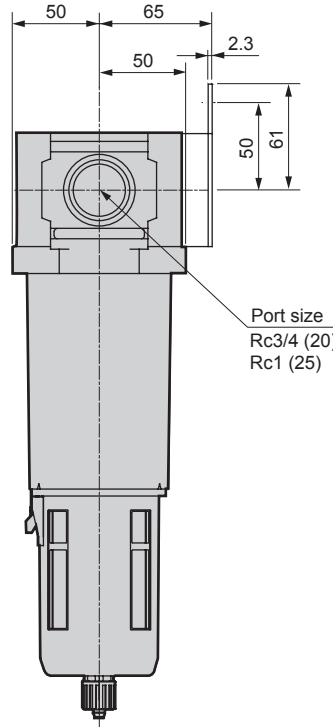
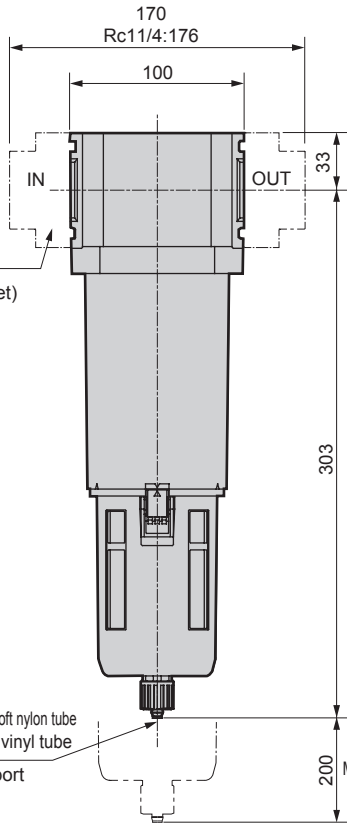
Dimensions



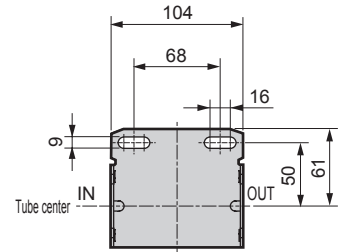
● MX8000-W



Option
(With differential pressure detection port)



• Attachment
C type bracket (-BW)
Part model no.: B820



Attachment
A□W (piping adaptor set)

Bore size $\phi 5.7$ to $\phi 8$ soft nylon tube
Bore size $\phi 5$ soft vinyl tube

Drain port

Maintenance dimension

● For the plastic bowl, the dimensions are the same regardless of whether the manual cock or with automatic drain.

● Metal bowl (option)

(MX3000-W, MX4000-W, MX6000-W, MX8000-W)

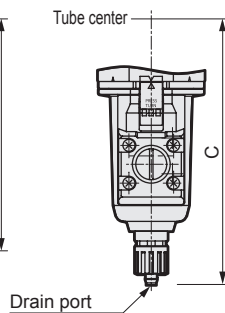
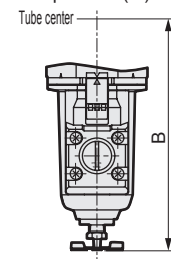
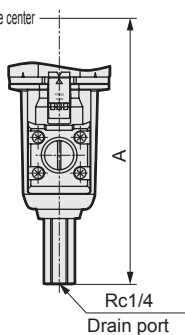
Metal manual cock

With automatic drain (F1M)

With petcock (M)

Standard manual drain cock

(M1)



Dimensions

Model no.	F1M	M	M1
	A	B	C
MX3000-W	164	143.5	154
MX4000-W	187	166.5	177
MX6000-W	226	205	216
MX8000-W	319	298	309