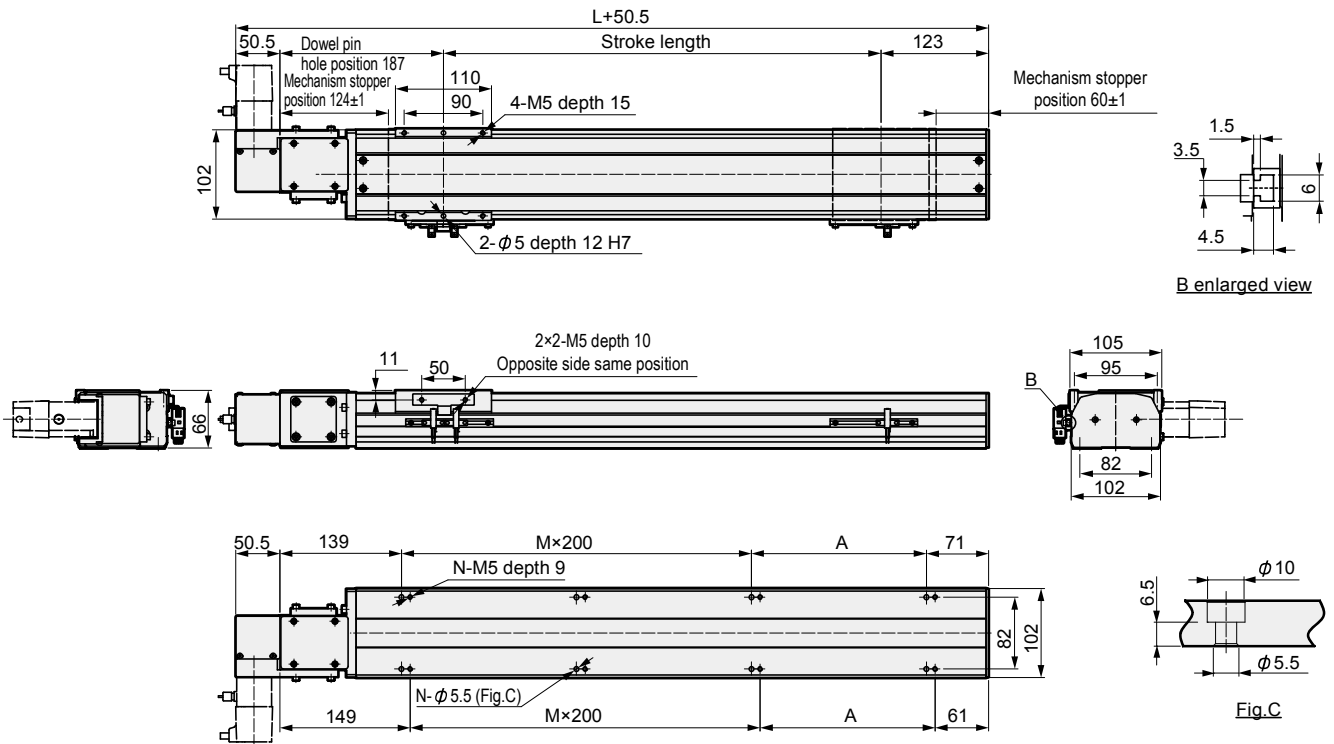


Dimensions (ETV-10)

- ETV-10-**-R (Motor installation methods: Right installation)



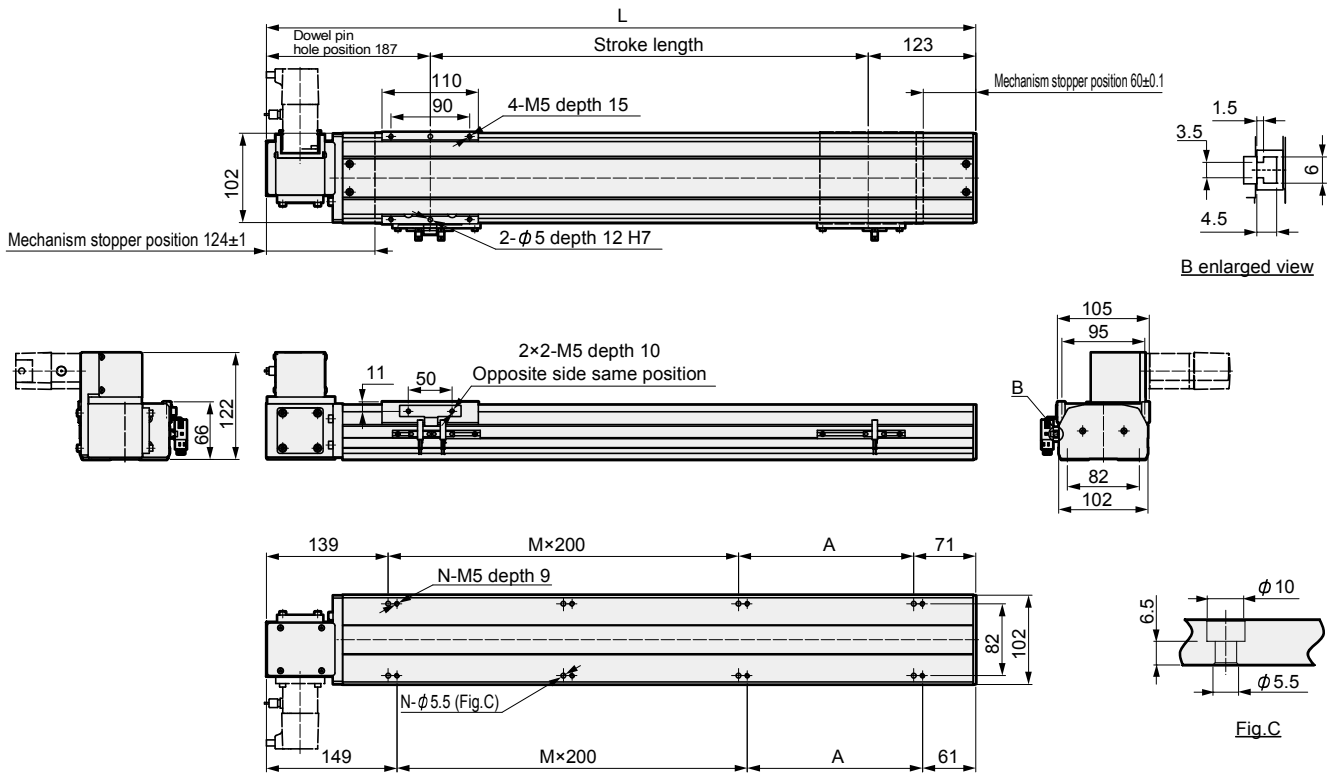
Note: Refer to page 14 for motor installation part dimensions.

Stroke length (mm)	100	150	200	250	300	350	400	450	500	550	600	650	700	750	800	850	900	950	1000	1050	1100	1150	1200	1250	1300
L	410	460	510	560	610	660	710	760	810	860	910	960	1010	1060	1110	1160	1210	1260	1310	1360	1410	1460	1510	1560	1610
A	200	50	100	150	200	50	100	150	200	50	100	150	200	50	100	150	200	50	100	150	200	50	100	150	200
M	0	1	1	1	1	2	2	2	2	3	3	3	3	4	4	4	4	5	5	5	5	6	6	6	6
N	4	6	6	6	6	8	8	8	8	10	10	10	10	12	12	12	12	14	14	14	14	16	16	16	16
Weight (kg)	6.8	7.2	7.7	8.1	8.5	8.9	9.3	9.8	10.2	10.6	11.0	11.5	11.9	12.3	12.7	13.2	13.6	14.0	14.4	14.8	15.3	15.7	16.1	16.5	16.9

Stroke length (mm)	1350	1400	1450	1500	1550	1600	1650	1700	1750	1800	1850	1900	1950	2000	2050	2100	2150	2200	2250	2300	2350	2400	2450	2500	2550
L	1660	1710	1760	1810	1860	1910	1960	2010	2060	2110	2160	2210	2260	2310	2360	2410	2460	2510	2560	2610	2660	2710	2760	2810	2860
A	50	100	150	200	50	100	150	200	50	100	150	200	50	100	150	200	50	100	150	200	50	100	150	200	50
M	7	7	7	7	8	8	8	8	9	9	9	9	10	10	10	10	11	11	11	11	12	12	12	12	13
N	18	18	18	18	20	20	20	20	22	22	22	22	24	24	24	24	26	26	26	26	28	28	28	28	30
Weight (kg)	17.4	17.8	18.2	18.6	19.0	19.5	19.9	20.3	20.7	21.1	21.6	22.0	22.4	22.8	23.2	23.7	24.1	24.5	24.9	25.3	25.8	26.2	26.6	27.0	27.4

Dimensions (ETV-10)

- ETV-10-**-S (Motor installation methods: Upper right installation)



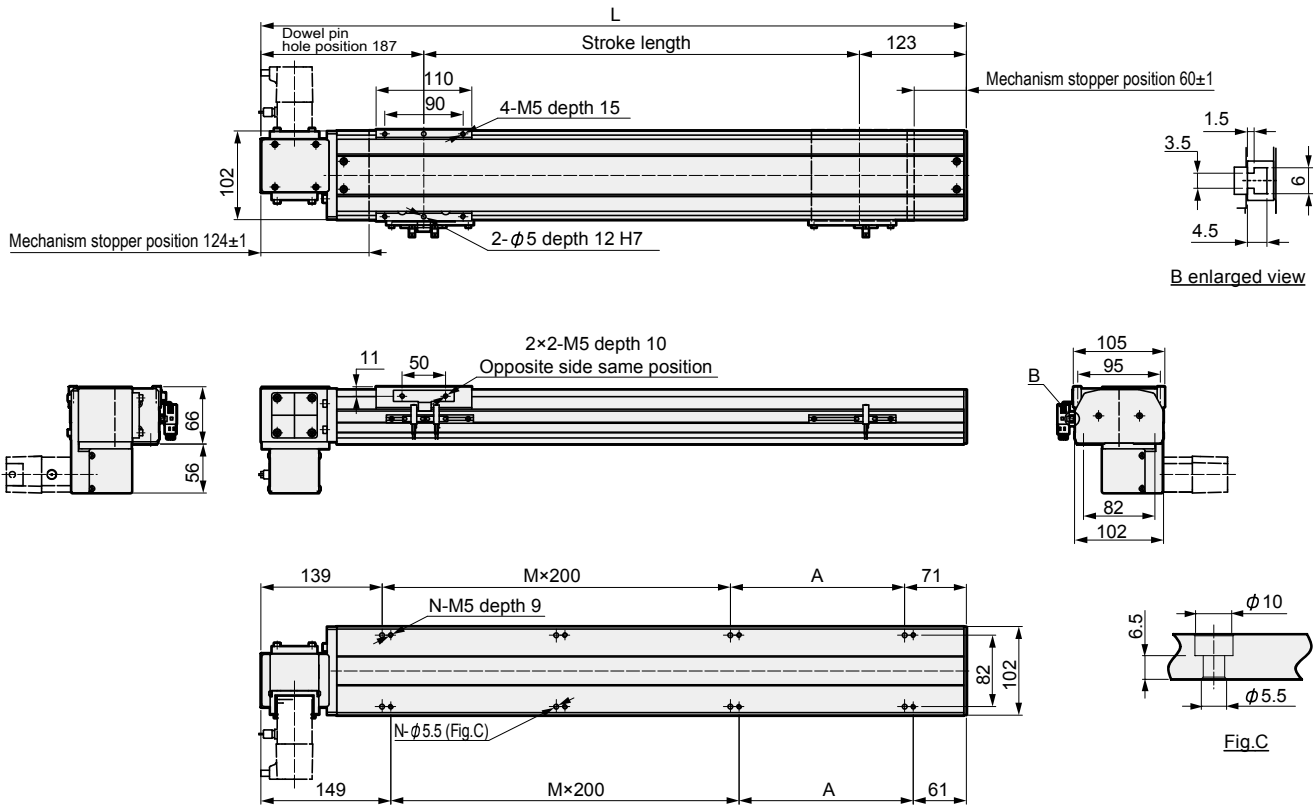
Note: Refer to page 14 for motor installation part dimensions.

Stroke length (mm)	100	150	200	250	300	350	400	450	500	550	600	650	700	750	800	850	900	950	1000	1050	1100	1150	1200	1250	1300
L	410	460	510	560	610	660	710	760	810	860	910	960	1010	1060	1110	1160	1210	1260	1310	1360	1410	1460	1510	1560	1610
A	200	50	100	150	200	50	100	150	200	50	100	150	200	50	100	150	200	50	100	150	200	50	100	150	200
M	0	1	1	1	1	2	2	2	2	3	3	3	3	4	4	4	4	5	5	5	5	6	6	6	6
N	4	6	6	6	6	8	8	8	8	10	10	10	10	12	12	12	12	14	14	14	14	16	16	16	16
Weight (kg)	6.8	7.2	7.7	8.1	8.5	8.9	9.3	9.8	10.2	10.6	11.0	11.5	11.9	12.3	12.7	13.2	13.6	14.0	14.4	14.8	15.3	15.7	16.1	16.5	16.9

Stroke length (mm)	1350	1400	1450	1500	1550	1600	1650	1700	1750	1800	1850	1900	1950	2000	2050	2100	2150	2200	2250	2300	2350	2400	2450	2500	2550
L	1660	1710	1760	1810	1860	1910	1960	2010	2060	2110	2160	2210	2260	2310	2360	2410	2460	2510	2560	2610	2660	2710	2760	2810	2860
A	50	100	150	200	50	100	150	200	50	100	150	200	50	100	150	200	50	100	150	200	50	100	150	200	50
M	7	7	7	7	8	8	8	8	9	9	9	9	10	10	10	10	11	11	11	11	12	12	12	12	13
N	18	18	18	18	20	20	20	20	22	22	22	22	24	24	24	24	26	26	26	26	28	28	28	28	30
Weight (kg)	17.4	17.8	18.2	18.6	19.0	19.5	19.9	20.3	20.7	21.1	21.6	22.0	22.4	22.8	23.2	23.7	24.1	24.5	24.9	25.3	25.8	26.2	26.6	27.0	27.4

Dimensions (ETV-10)

- ETV-10-**-T (Motor installation methods: Lower right installation)



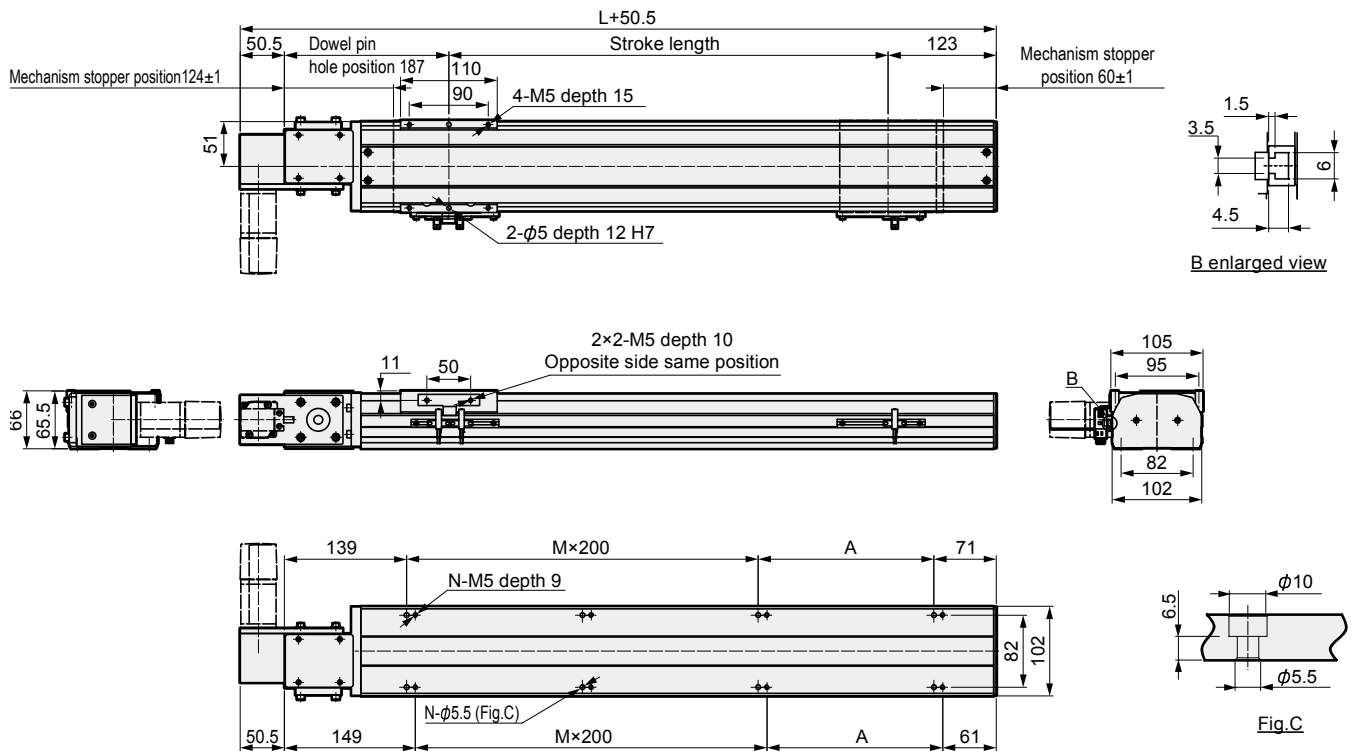
Note: Refer to page 14 for motor installation part dimensions.

Stroke length (mm)	100	150	200	250	300	350	400	450	500	550	600	650	700	750	800	850	900	950	1000	1050	1100	1150	1200	1250	1300
L	410	460	510	560	610	660	710	760	810	860	910	960	1010	1060	1110	1160	1210	1260	1310	1360	1410	1460	1510	1560	1610
A	200	50	100	150	200	50	100	150	200	50	100	150	200	50	100	150	200	50	100	150	200	50	100	150	200
M	0	1	1	1	1	2	2	2	2	3	3	3	3	4	4	4	4	5	5	5	5	6	6	6	6
N	4	6	6	6	6	8	8	8	8	10	10	10	10	12	12	12	12	14	14	14	14	16	16	16	16
Weight (kg)	6.8	7.2	7.7	8.1	8.5	8.9	9.3	9.8	10.2	10.6	11.0	11.5	11.9	12.3	12.7	13.2	13.6	14.0	14.4	14.8	15.3	15.7	16.1	16.5	16.9

Stroke length (mm)	1350	1400	1450	1500	1550	1600	1650	1700	1750	1800	1850	1900	1950	2000	2050	2100	2150	2200	2250	2300	2350	2400	2450	2500	2550
L	1660	1710	1760	1810	1860	1910	1960	2010	2060	2110	2160	2210	2260	2310	2360	2410	2460	2510	2560	2610	2660	2710	2760	2810	2860
A	50	100	150	200	50	100	150	200	50	100	150	200	50	100	150	200	50	100	150	200	50	100	150	200	50
M	7	7	7	7	8	8	8	8	9	9	9	9	10	10	10	10	11	11	11	11	12	12	12	12	13
N	18	18	18	18	20	20	20	20	22	22	22	22	24	24	24	24	26	26	26	26	28	28	28	28	30
Weight (kg)	17.4	17.8	18.2	18.6	19.0	19.5	19.9	20.3	20.7	21.1	21.6	22.0	22.4	22.8	23.2	23.7	24.1	24.5	24.9	25.3	25.8	26.2	26.6	27.0	27.4

Dimensions (ETV-10)

- ETV-10-**-L (Motor installation methods: Left installation)



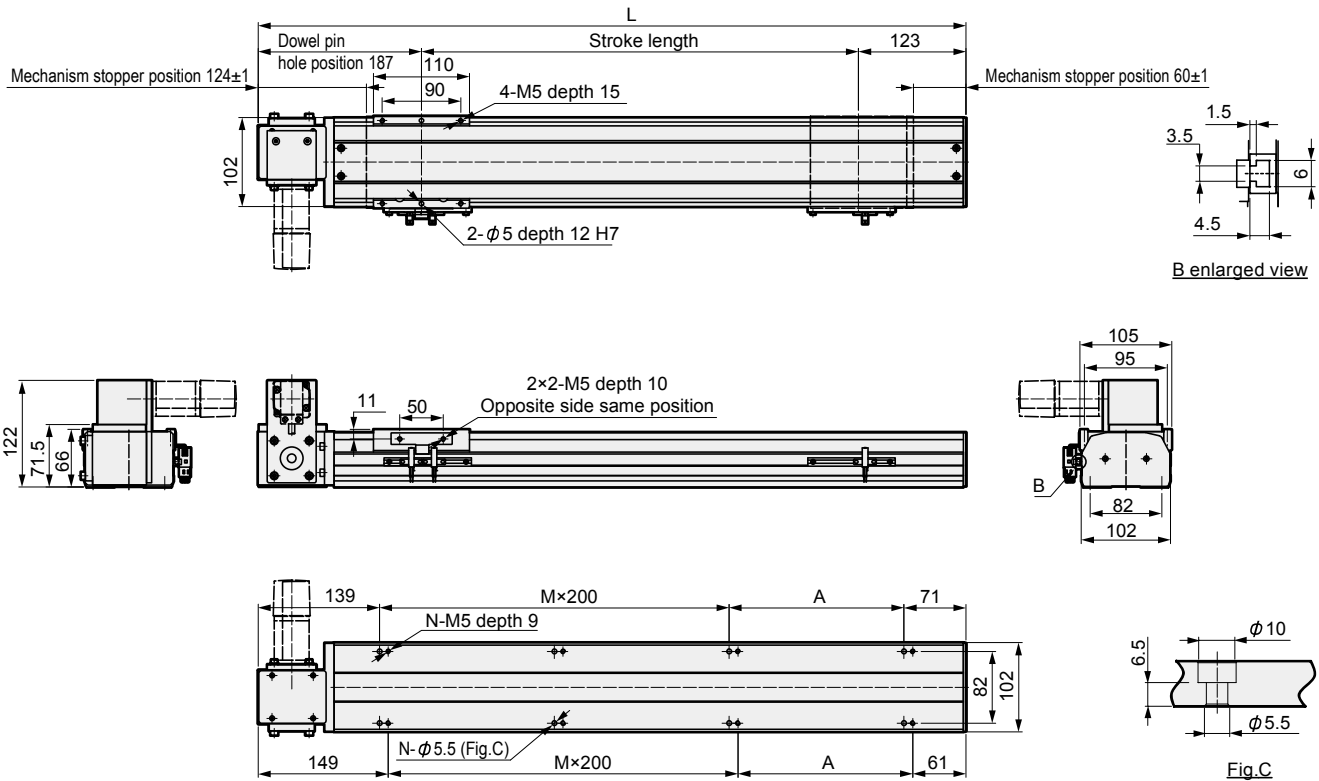
Note: Refer to page 14 for motor installation part dimensions.

Stroke length (mm)	100	150	200	250	300	350	400	450	500	550	600	650	700	750	800	850	900	950	1000	1050	1100	1150	1200	1250	1300
L	410	460	510	560	610	660	710	760	810	860	910	960	1010	1060	1110	1160	1210	1260	1310	1360	1410	1460	1510	1560	1610
A	200	50	100	150	200	50	100	150	200	50	100	150	200	50	100	150	200	50	100	150	200	50	100	150	200
M	0	1	1	1	1	2	2	2	2	3	3	3	3	4	4	4	4	5	5	5	5	6	6	6	6
N	4	6	6	6	6	8	8	8	8	10	10	10	10	12	12	12	12	14	14	14	14	16	16	16	16
Weight (kg)	6.8	7.2	7.7	8.1	8.5	8.9	9.3	9.8	10.2	10.6	11.0	11.5	11.9	12.3	12.7	13.2	13.6	14.0	14.4	14.8	15.3	15.7	16.1	16.5	16.9

Stroke length (mm)	1350	1400	1450	1500	1550	1600	1650	1700	1750	1800	1850	1900	1950	2000	2050	2100	2150	2200	2250	2300	2350	2400	2450	2500	2550
L	1660	1710	1760	1810	1860	1910	1960	2010	2060	2110	2160	2210	2260	2310	2360	2410	2460	2510	2560	2610	2660	2710	2760	2810	2860
A	50	100	150	200	50	100	150	200	50	100	150	200	50	100	150	200	50	100	150	200	50	100	150	200	50
M	7	7	7	7	8	8	8	8	9	9	9	9	10	10	10	10	11	11	11	11	12	12	12	12	13
N	18	18	18	18	20	20	20	20	22	22	22	22	24	24	24	24	26	26	26	26	28	28	28	28	30
Weight (kg)	17.4	17.8	18.2	18.6	19.0	19.5	19.9	20.3	20.7	21.1	21.6	22.0	22.4	22.8	23.2	23.7	24.1	24.5	24.9	25.3	25.8	26.2	26.6	27.0	27.4

Dimensions (ETV-10)

- ETV-10-**-V (Motor installation methods: Upper left installation)



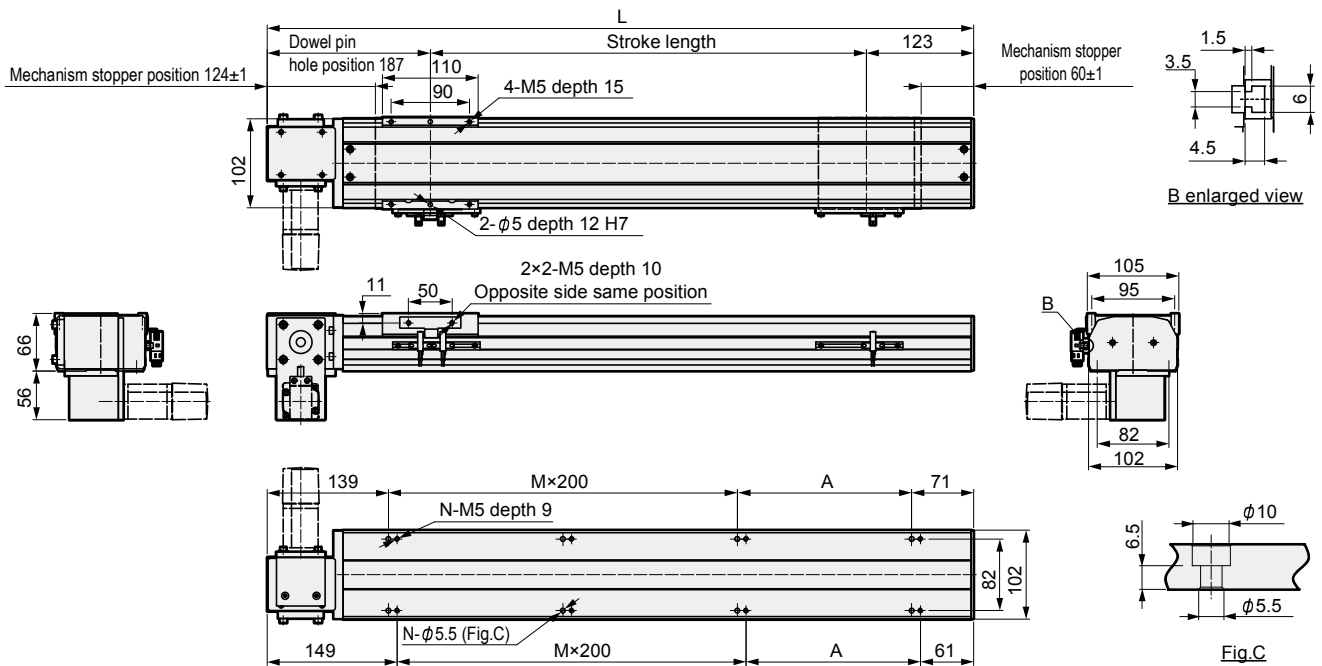
Note: Refer to page 14 for motor installation part dimensions.

Stroke length (mm)	100	150	200	250	300	350	400	450	500	550	600	650	700	750	800	850	900	950	1000	1050	1100	1150	1200	1250	1300
L	410	460	510	560	610	660	710	760	810	860	910	960	1010	1060	1110	1160	1210	1260	1310	1360	1410	1460	1510	1560	1610
A	200	50	100	150	200	50	100	150	200	50	100	150	200	50	100	150	200	50	100	150	200	50	100	150	200
M	0	1	1	1	1	2	2	2	2	3	3	3	3	4	4	4	4	5	5	5	5	6	6	6	6
N	4	6	6	6	6	8	8	8	8	10	10	10	10	12	12	12	12	14	14	14	14	16	16	16	16
Weight (kg)	6.8	7.2	7.7	8.1	8.5	8.9	9.3	9.8	10.2	10.6	11.0	11.5	11.9	12.3	12.7	13.2	13.6	14.0	14.4	14.8	15.3	15.7	16.1	16.5	16.9

Stroke length (mm)	1350	1400	1450	1500	1550	1600	1650	1700	1750	1800	1850	1900	1950	2000	2050	2100	2150	2200	2250	2300	2350	2400	2450	2500	2550
L	1660	1710	1760	1810	1860	1910	1960	2010	2060	2110	2160	2210	2260	2310	2360	2410	2460	2510	2560	2610	2660	2710	2760	2810	2860
A	50	100	150	200	50	100	150	200	50	100	150	200	50	100	150	200	50	100	150	200	50	100	150	200	50
M	7	7	7	7	8	8	8	8	9	9	9	9	10	10	10	10	11	11	11	11	12	12	12	12	13
N	18	18	18	18	20	20	20	20	22	22	22	22	24	24	24	24	26	26	26	26	28	28	28	28	30
Weight (kg)	17.4	17.8	18.2	18.6	19.0	19.5	19.9	20.3	20.7	21.1	21.6	22.0	22.4	22.8	23.2	23.7	24.1	24.5	24.9	25.3	25.8	26.2	26.6	27.0	27.4

Dimensions (ETV-10)

- ETV-10-**-W (Motor installation methods: Lower left installation)

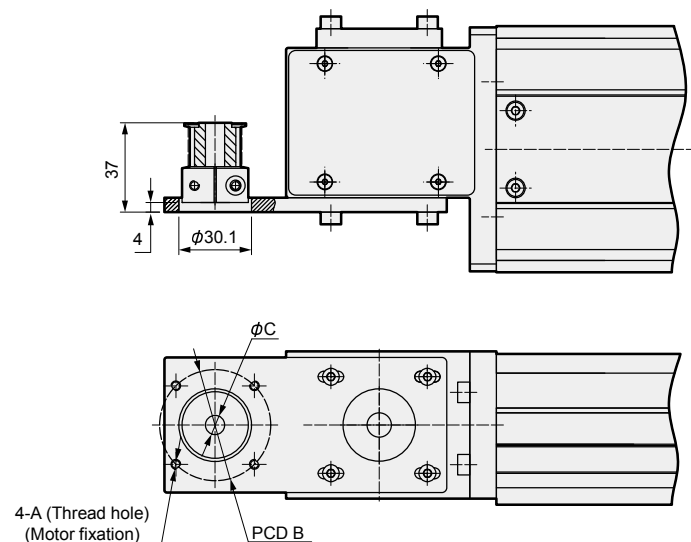


Stroke length (mm)	100	150	200	250	300	350	400	450	500	550	600	650	700	750	800	850	900	950	1000	1050	1100	1150	1200	1250	1300
L	410	460	510	560	610	660	710	760	810	860	910	960	1010	1060	1110	1160	1210	1260	1310	1360	1410	1460	1510	1560	1610
A	200	50	100	150	200	50	100	150	200	50	100	150	200	50	100	150	200	50	100	150	200	50	100	150	200
M	0	1	1	1	1	2	2	2	2	3	3	3	3	4	4	4	4	5	5	5	5	6	6	6	6
N	4	6	6	6	6	8	8	8	8	10	10	10	10	12	12	12	12	14	14	14	14	16	16	16	16
Weight (kg)	6.8	7.2	7.7	8.1	8.5	8.9	9.3	9.8	10.2	10.6	11.0	11.5	11.9	12.3	12.7	13.2	13.6	14.0	14.4	14.8	15.3	15.7	16.1	16.5	16.9

Stroke length (mm)	1350	1400	1450	1500	1550	1600	1650	1700	1750	1800	1850	1900	1950	2000	2050	2100	2150	2200	2250	2300	2350	2400	2450	2500	2550
L	1660	1710	1760	1810	1860	1910	1960	2010	2060	2110	2160	2210	2260	2310	2360	2410	2460	2510	2560	2610	2660	2710	2760	2810	2860
A	50	100	150	200	50	100	150	200	50	100	150	200	50	100	150	200	50	100	150	200	50	100	150	200	50
M	7	7	7	7	8	8	8	8	9	9	9	9	10	10	10	10	11	11	11	11	12	12	12	12	13
N	18	18	18	18	20	20	20	20	22	22	22	22	24	24	24	24	26	26	26	26	28	28	28	28	30
Weight (kg)	17.4	17.8	18.2	18.6	19.0	19.5	19.9	20.3	20.7	21.1	21.6	22.0	22.4	22.8	23.2	23.7	24.1	24.5	24.9	25.3	25.7	26.2	26.6	27.0	27.4

Motor installation part Dimensions (ETV-10)

- ETV-10-R/S/T/L/V/W



ETV-10-R/S/T/L/V/W				
Installation motor specifications	A	B	C	Motor screw
M 100W	M4	φ46	φ8	4-M4×L12
Y 100W	M4	φ46	φ8	4-M4×L12
P 100W	M3	φ45	φ8	4-M3×L12