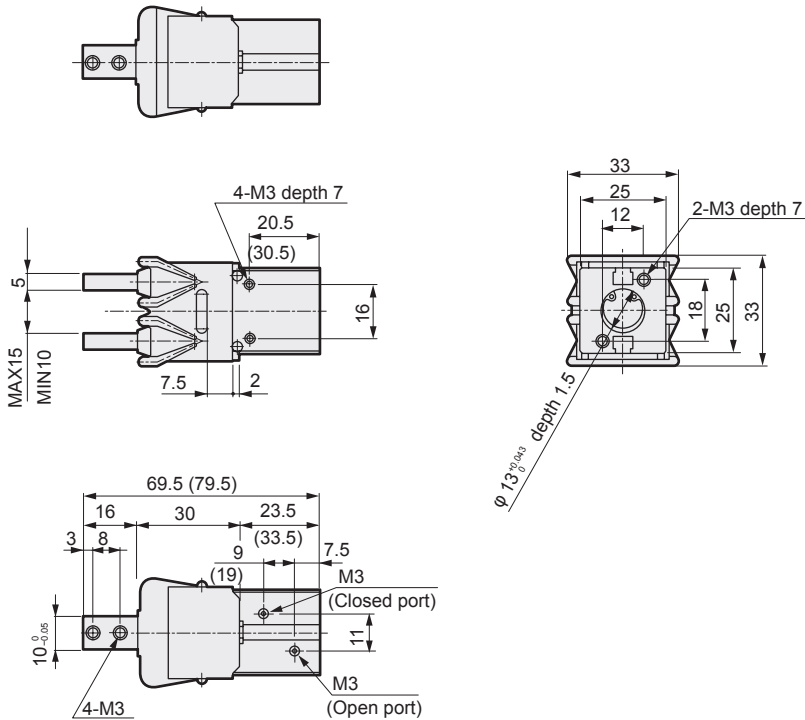


Dimensions

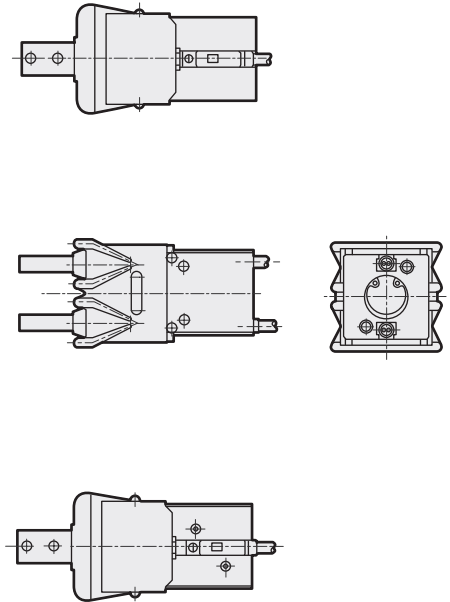


● BHG-01CS standard/O/C

● Dimensions in () for C (normally closed) specifications



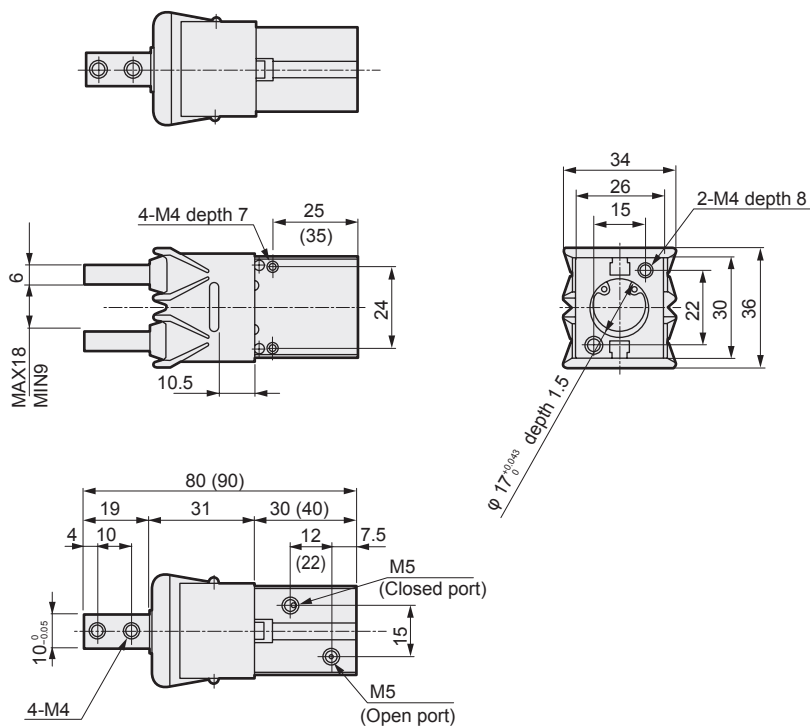
● With switch



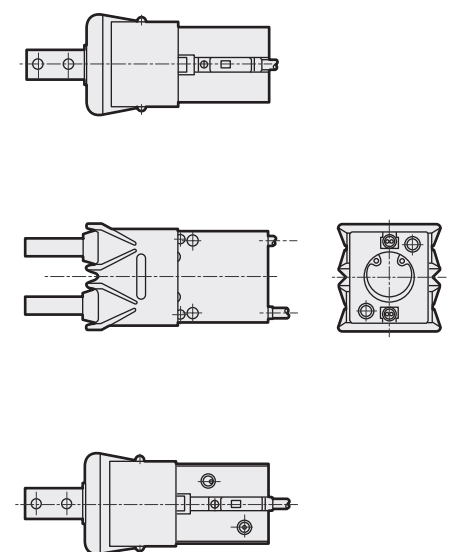
Note: When using T□H or T□V, the switches of both of them project from the end face of body head end.

● BHG-03CS standard/O/C

● Dimensions in () for C (normally closed) specifications



● With switch



Note: When using T□H or T□V, the switches of both of them project from the end face of body head end.

ULK*
JSK/M2
JSG
JSC3/JSC4
USSD
UFCD
USC
JSB3
LMB
LML
HCM
HCA
LBC
CAC4
UCAC2
CAC-N
UCAC-N
RCC2
RCS
SHC
MCP
GLC
MFC
BBS
RRC
GRC
RV3*
NHS
HR
LN

Hand

Chuck

Mechanical hand and chuck

Shock absorber

FJ

FK

Speed controller

Ending

Ending

FH100

HAP

BSA2

BHA/BHG

LHA

LHAG

HKP

HLA/HLB

HLAGHLBG

HLD

HEP

HCP

HMF

HMFB

HFP

HLC

HGP

FH500

HBL

HDL

HMD

HJD

HJL

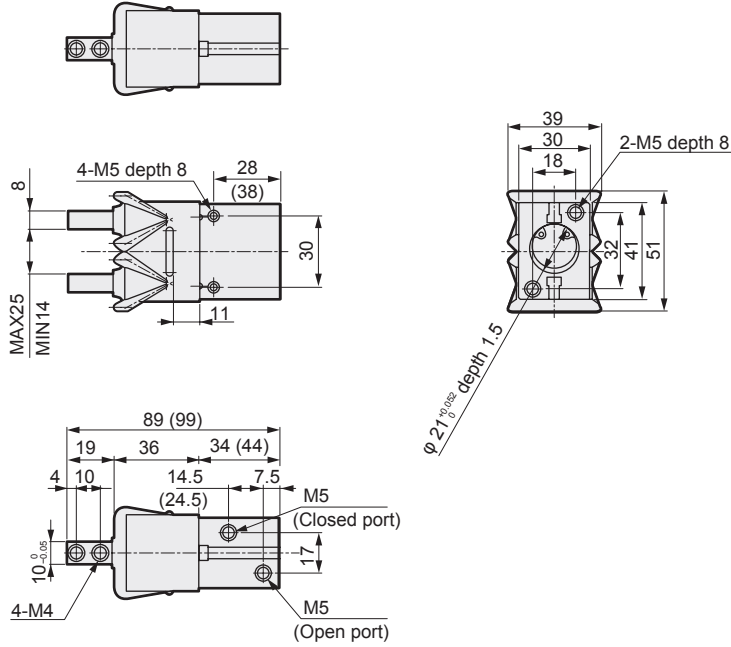
BHE



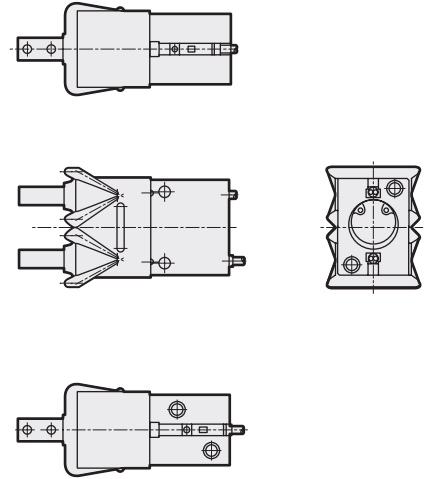
Dimensions

● BHG-04CS standard/O/C

● Dimensions in () for C (normally closed) specifications

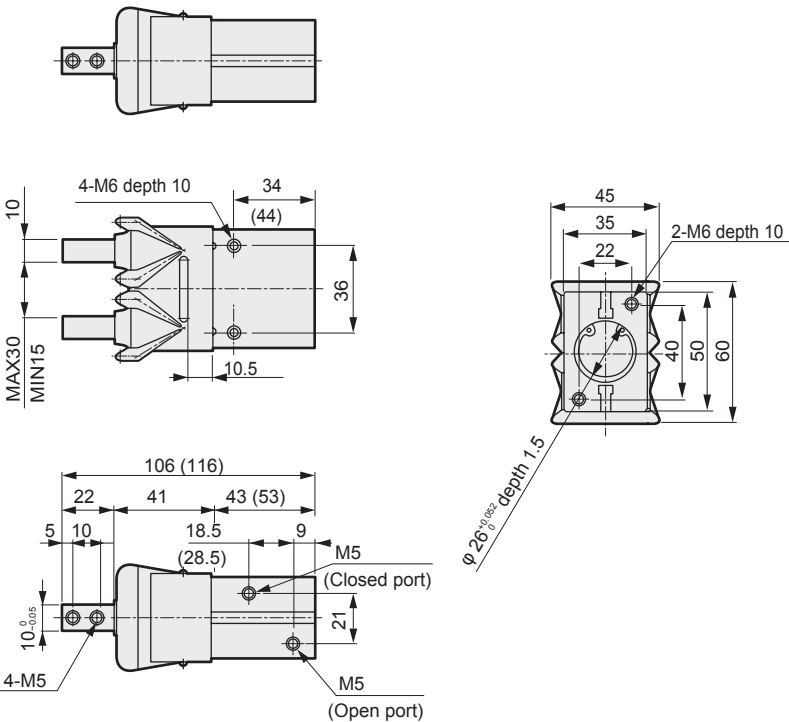


● With switch

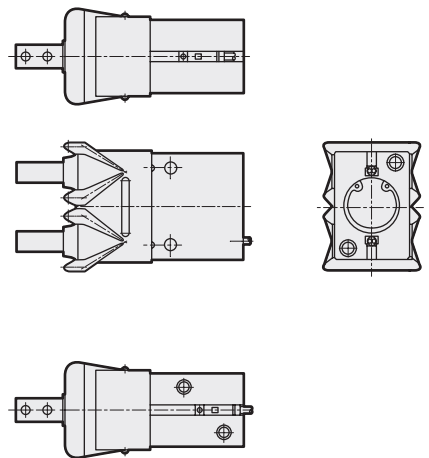


● BHG-05CS standard/O/C

● Dimensions in () for C (normally closed) specifications



● With switch



ULK*
JSK/M2
JSG
JSC3/JSC4
USSD
UFCD
USC
JSB3
LMB
LML
HCM
HCA
LBC
CAC4
UCAC2
CAC-N
UCAC-N
RCC2
RCS
SHC
MCP
GLC
MFC
BBS
RRC
GRC
RV3*
NHS
HR
LN
Hand
Chuck
Mechanical hand and chuck
Shock absorber
FJ
FK
Speed controller
Ending

FH100
HAP
BSA2
BHA/BHG
LHA
LHAG
HKP
HLA/HLB
HLAG/HLBG
HLD
HEP
HCP
HMF
HMFB
HFP
HLC
HGP
FH500
HBL
HDL
HMD
HJD
HJL
BHE