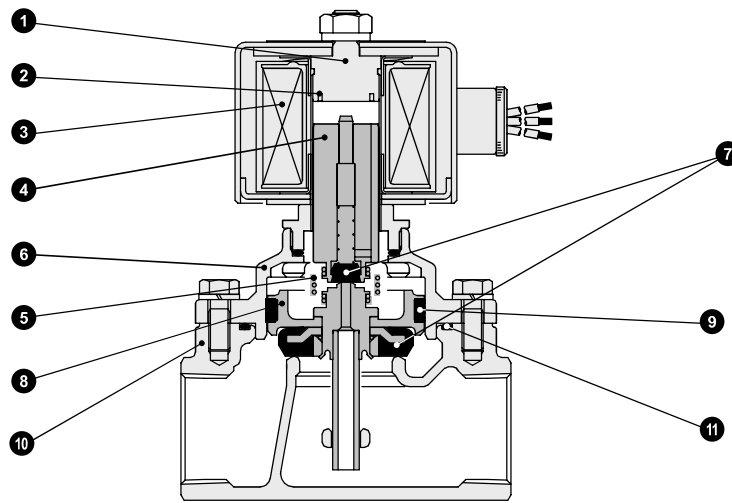


Internal structure and parts list



No.	Parts name	Material
1	Core assembly	SUS405 equiv./SUS316L/SUS403 ; Stainless steel
2	Shading coil*1	Cu (Ag for stainless steel body) ; Copper (silver for stainless steel body)
3	Coil	- ; -
4	Plunger assembly	SUS405 or equivalent/SUS304/C3604/NBR (SUS405 or equivalent/SUS304/FKM, PFA or PTFE) ; Stainless steel
5	Kick spring	SUS304 ; Stainless steel
6	Stuffing	CAC408 (SCS13) ; Bronze casting (stainless steel casting)
7	Sealant	NBR (FKM, PTFE) ; Nitrile rubber (fluoro rubber or tetrafluoroethylene resin)
8	Main valve assembly	SUS303/SUS304/C3604/NBR (SUS303/SUS304/FKM or PTFE); Stainless steel/brass (stainless steel)
9	Seal ring set	SUS304/PTFE ; Stainless steel/tetrafluoroethylene resin
10	Body	CAC408 (SCS13) ; Bronze casting (stainless steel casting)
11	O ring	NBR (FKM, PTFE) ; Nitrile rubber (fluoro rubber or tetrafluoroethylene resin)

() shows options.

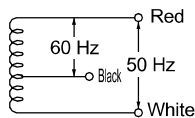
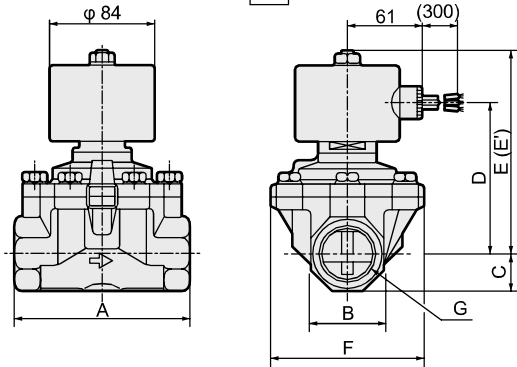
*1: When using the DC coil or a coil with diode, no shading coil is used.

Dimensions



● Open frame lead wire type (Rc screw-in type)

APK21-32A/40A/50A-*
3A
4A



- Conduit size
Sheet steel conduit thread
JIS B 0204 CTC19
- Lead wire

30/0.18 (0.75 mm²)

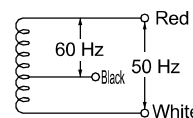
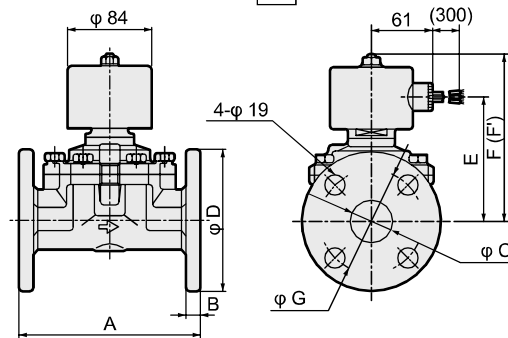
Length 300 mm

The dimensions (E') apply only to the APK21-32A/40A/50A-*3A DC specifications.

Model no.	A	B	C	D	E	E'	F	G
APK21-32A-*□A	125	54	27	116.5	158.5	183.5	112	Rc1 ¹ / ₄
APK21-40A-*□A	140	60	30	123.5	165.5	190.5	122	Rc1 ¹ / ₂
APK21-50A-*□A	160	74	37	132.5	174.5	199.5	132	Rc2

● Open frame lead wire type (flange type)

APK21-32F/40F/50F-*
3A
4A



- Conduit size
Sheet steel conduit thread
JIS B 0204 CTC19
- Lead wire

30/0.18 (0.75 mm²)

Length 300 mm

The dimensions (F') apply only to the APK21-32F/40F/50F-*3A DC specifications.

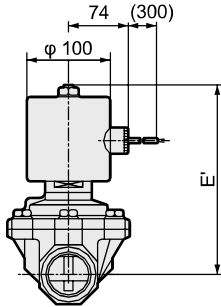
Model no.	A	B	C	D	E	F	F'	G
APK21-32F-*□A	170	12	36	135	116.5	158.5	183.5	100
APK21-40F-*□A	180	14	42	140	123.5	165.5	190.5	105
APK21-50F-*□A	180	14	53	155	132.5	174.5	199.5	120

Optional dimensions



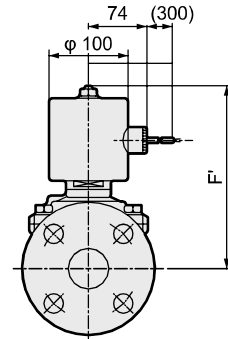
* Refer to the open frame lead wire type dimensions on the left page for common dimensions.

- Open frame diode integrated lead wire type (Rc screw-in type)
APK21-32A/40A/50A-***5A**



Model no.	E'
APK21-32A-*5A	183.5
APK21-40A-*5A	190.5
APK21-50A-*5A	199.5

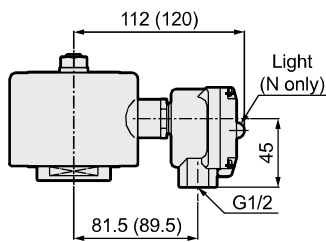
- Open frame diode integrated lead wire type (flange type)
APK21-32F/40F/50F-***5A**



Model no.	F'
APK21-32F-*5A	183.5
APK21-40F-*5A	190.5
APK21-50F-*5A	199.5

- Open frame type + HP terminal box
APK21-32[△] to 50[△]-*

3	M
4	N
5	



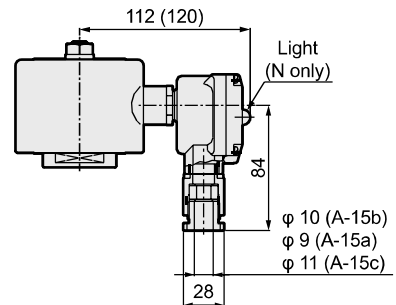
() shows APK21-32[△] to 50[△]-*

M
N

 type

- Open frame type + cable gland
APK21-32[△] to 50[△]-*

3	M	D
4	N	E
5		F



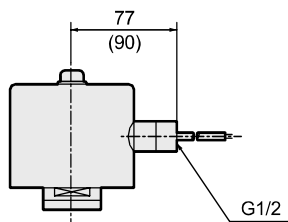
() shows APK21-32[△] to 50[△]-*

M
N

 type

- Open frame type + conduit
APK21-32[△] to 50[△]-*

3	A	H
4	A	
5	A	



() shows APK21-32[△] to 50[△]-*

M
N

 type

EXA
FWD
HNB/G
USB/G
FAB/G
FGB/G
FVB
FWB/G
FHB
FLB
AB
AG
AP/AD
APK/ADK
For dry air
Explosion proof
HVB/HVL
S [△] B/NAB
LAD/NAD
Related components for water
NP/NAP/NVP
CHB/G
MXB/G
Others Valve
Dust collecting
CVE/CVSE
CCH, CPE/D
Medical analysis
Gas combustion
Automatic watering
Custom order product
Ending