

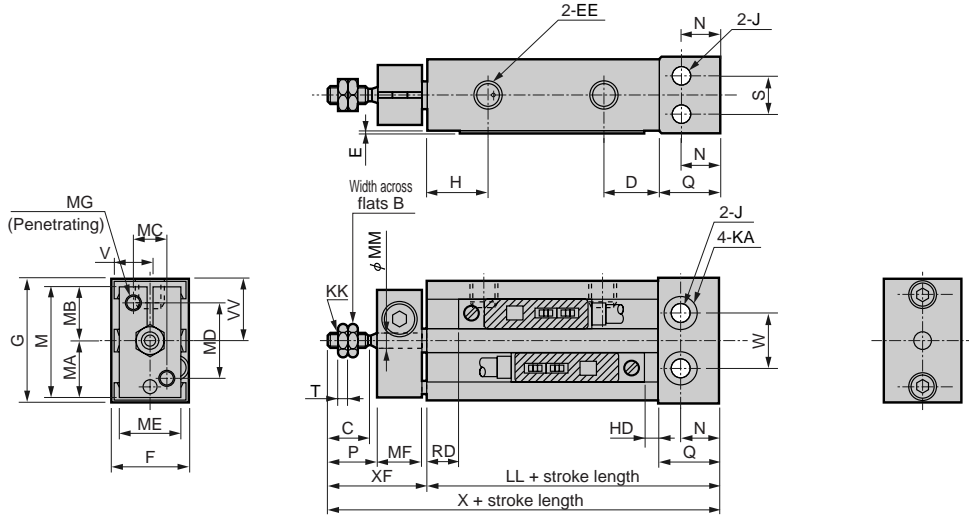
SMD2-M Series

Dimensions



● Double acting non-rotating type (with switch) SMD2-M (L)

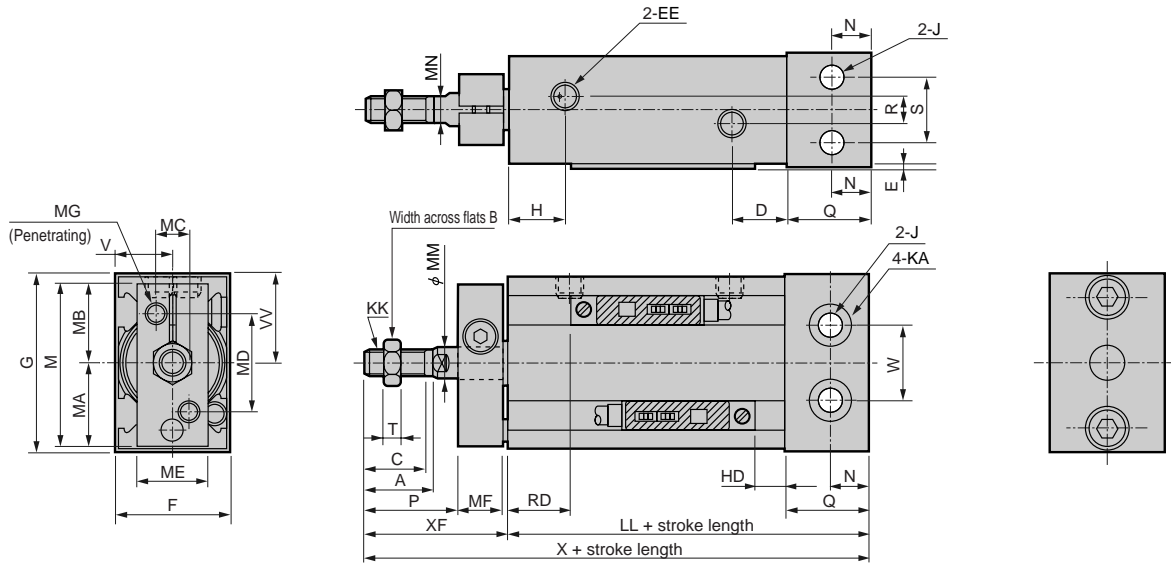
φ 6, φ 10



- For 6 mm bore size and 5 and 10 mm stroke, K*H switch cannot be installed. Use K*V switch.
- For 10 mm bore size and 5 mm stroke, K*H switch cannot be installed. Use K*V switch.

● Double acting non-rotating type (with switch) SMD2-M (L)

φ 6, φ 20, φ 25, φ 32



- For 16, 20 mm bore size and 5 mm stroke, K*H switch cannot be installed. Use K*V switch.

Symbol	A	B	C	D	EE	F	G	H	J	KA	KK	M	MA	MB	MC	MD	ME	MF	MG	MM	MN	N	P	Q	R	S	T	V	VV	W	XF
φ 6	-	5.5	7	10	M5	13.4	22.4	11	3.4 (penetrating)	5.9 spot face depth 5.3	M3	20	10.5	9.5	6	14	11	8	M3	3	-	7	10	11	-	7	1.8	6.7	11.2	10	19
φ 10	-	7	10	10	M5	15.4	24.4	11	3.4 (penetrating)	5.9 spot face depth 5.5	M4	22	11.5	10.5	7	15	12	8	M3	4	-	7	13	11	-	9	2.4	7.7	12.2	11	22
φ 16	12.5	8	11	10	M5	20.4	32.4	10	4.5 (penetrating)	7.5 spot face depth 7	M5	30	15.5	14.5	6	18	13	8	M4	6	5	7	17	15	5	12	3.2	10.2	16.2	14	26
φ 20	13.5	10	12	10	M5	26.4	40.4	14	5.5 (penetrating)	9 spot face depth 8.5	M6	33	19.5	13.5	8	20	15	8	M4	8	6	9	20	15	12	16	3.6	13.2	20.2	16	29
φ 25	17.5	13	15.5	10	M5	32.4	50.4	14	5.5 (penetrating)	9 spot face depth 9.5	M8	43.5	24.5	19	10	28	20	10	M5	10	8	10	22	15	13	20	5	16.2	25.2	20	33
φ 32	21	17	19.5	11	Rc1/8	40.4	62.4	21	6.6 (penetrating)	10.5 spot face depth 12	M10 x 1.25	51.5	30.5	21	12	32	25	12	M5	12	10	11	29	20	17	24	6	20.2	31.2	24	42

Symbol	LL		X		With switch								
	Without SW	With SW	Without SW	With SW	E	K0H/K5H		K2H/K3H		K0V/K5V		K2V/K3V	
Bore size (mm)						HD	RD	HD	RD	HD	RD	HD	RD
φ 6	38	38	57	57	1.0	1.5	5.0	2.5	6.0	1.5	5.0	2.5	6.0
φ 10	41	41	63	63	1.0	3.5	5.5	4.5	7.0	3.5	5.5	4.5	7.0
φ 16	40	50	66	76	0.5	5.0	10.0	6.0	11.0	5.0	10.0	6.0	11.0
φ 20	46	56	75	85	0.5	8.5	12.5	9.5	13.5	8.5	12.5	9.5	13.5
φ 25	50	60	83	93	0.5	11.5	12.5	12.5	13.5	11.5	12.5	12.5	13.5
φ 32	62	72	104	114	0.5	12.0	19.0	13.5	20.0	12.0	19.0	13.5	20.0

Note 1: HD and RD dimensions for 5, 10 stroke will differ from these due to manufacturing.

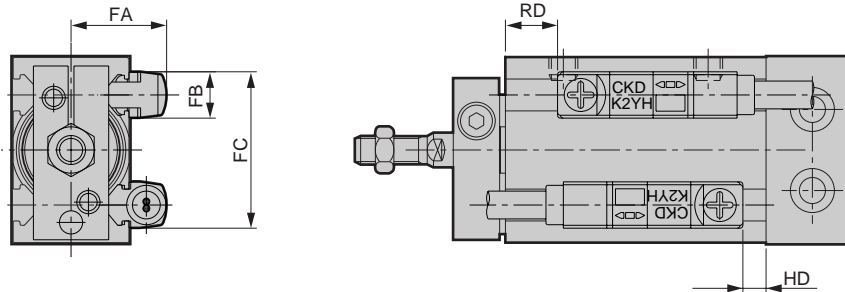
Note 2: For 5 and 10 mm stroke, use K*V switch because K*H switch cannot be installed.

Note 3: For 5 mm stroke, use K*V switch because K*H switch cannot be installed.

Note 4: Refer to page 1035 for HD/RD and dimensions of projecting section of 2 color indicator type preventive maintenance output switch.

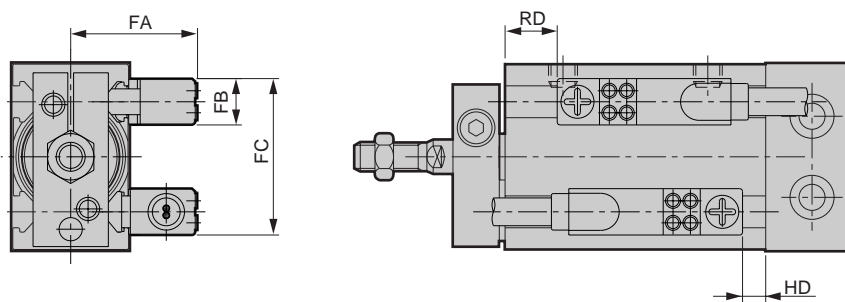
Dimensions (2 color indicator type, preventive maintenance output switch)

- SMD2-ML (with switch: K2YH/V, K3YH/V)



Bore size (mm)	FA	FB	FC	RD	HD
φ 6	13.5	8.0	18.0	4.0	0.5
φ 10	14.5	8.0	21.0	5.0	2.5
φ 16	16.5	8.0	27.0	9.0	4.0
φ 20	19.5	8.0	29.0	12.0	7.0
φ 25	22.5	8.0	32.0	12.0	11.0
φ 32	26.5	8.0	34.0	18.5	11.5

- SMD2-ML (with switch: K2YFH/V, K3YFH/V, K2YMH/V, K3YMH/V)



Bore size (mm)	FA	FB	FC	RD	HD
φ 6	19.0	8.0	18.0	4.0	0.5
φ 10	20.0	8.0	21.0	5.0	2.5
φ 16	22.0	8.0	27.0	9.0	4.0
φ 20	25.0	8.0	29.0	12.0	7.0
φ 25	28.0	8.0	32.0	12.0	11.0
φ 32	32.0	8.0	34.0	18.5	11.5

SCP*2
CMK2
CMA2
SCM
SCG
SCA2
SCS
CKV2
CA/OV2
SSD
CAT
MDC2
MVC
SMD2
MSD*
FC*
STK
ULK*
JSK/M2
JSG
JSC3
USSD
USC
JSB3
LMB
STG
STS/L
LCS
LCG
LCM
LCT
LCY
STR2
UCA2
HCM
HCA
SRL2
SRG
SRM
SRT
MRL2
MRG2
SM-25
CAC3
UCAC
RCC2
MFC
SHC
GLC
Ending

Compact cylinder
Space saving structure