

## No. 6841NI

### Push-pull type toggle clamp with red handle

with small angle base. For push- and pull-clamping. (Equal operation of rod and lever). Stainless steel, polished. Long rod-guide with attaching thread and nut. Bush for size 3. Bearings pre-lubricated. Lever can be set to any angle relative to base. Ergonomic, oil-resistant handle with large grip surface and soft components.

Supplied complete with stainless clamping screw no. 6880NI.

Also suitable for use in the food industry.



Order no.	Size	F1 [kN]	F2 [kN]	Clamping screw	Weight [g]
95265	0	0,8	0,8	M4x20	65
95299	3	2,5	2,5	M8x35	445

## No. 6841NIY

### Push-pull type toggle clamp with yellow handle



Order no.	Size	F1 [kN]	F2 [kN]	Clamping screw	Weight [g]
557288	0	0,8	0,8	M4x20	65

## No. 6841NIJ

### Push-pull type toggle clamp with orange handle



Order no.	Size	F1 [kN]	F2 [kN]	Clamping screw	Weight [g]
557453	0	0,8	0,8	M4x20	65

## No. 6841NIE

### Push-pull type toggle clamp with blue handle



Order no.	Size	F1 [kN]	F2 [kN]	Clamping screw	Weight [g]
557774	0	0,8	0,8	M4x20	65

Subject to technical alterations.

## No. 6841NIG

Push-pull type toggle clamp with green handle



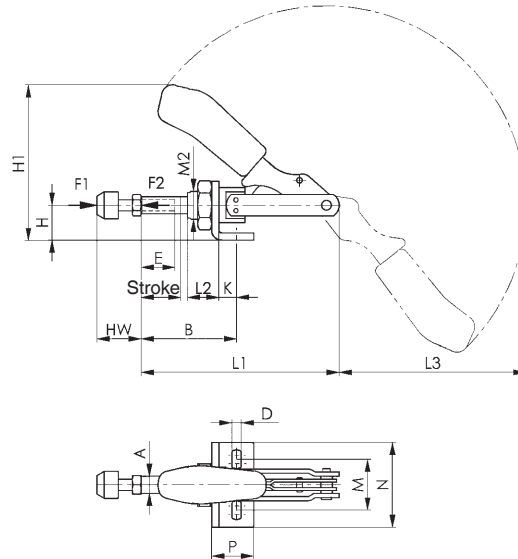
Order no.	Size	F1 [kN]	F2 [kN]	Clamping screw	Weight [g]
557610	0	0,8	0,8	M4x20	65

## No. 6841NIT

Push-pull type toggle clamp with black handle



Order no.	Size	F1 [kN]	F2 [kN]	Clamping screw	Weight [g]
558185	0	0,8	0,8	M4x20	65



CAD

### Recommendations



No. 6844NI,  
page 94



No. 6860,  
page 44



No. 6800NI,  
page 84

### Dimensions:

Size	A	B min.	B max.	D	E	H	H1	Stroke	HW min.	HW max.	K	L1	L2	L3	M	M2	N	P
0	6,5	17	33	4,5	13	12	49,3	16	12	20	6,5	66,5	10	54	16,0	M10x1,0	25	16
3	12,0	37	69	6,5	30	25	110,0	32	22	35	13,0	140,0	22	132	29,5-42,5	M20x1,5	60	30

Subject to technical alterations.

## No. 6844NI

### Push-pull type toggle clamp with red handle

**short version.** For push and pull-clamping. Stainless steel, polished. Long rod-guide with attaching thread and nut. Shoulder screws pasted into thread. Bearings are pre-lubricated. Ergonomic, oil-resistant handle with large grip surface and soft components.

**Supplied complete with stainless clamping screw no. 6880NI.**

Also suitable for use in the food industry.



Order no.	Size	F1 [kN]	F2 [kN]	Clamping screw	Weight [g]
95349	2	1,0	1,0	M6x25	130
95364	3	2,5	2,5	M8x35	320
95380	5	4,0	4,0	M12x50	1200

### Application:

Toggle for direct fit up in metal plates or fixtures, using its front attaching thread or by means of solid base angle no. 6843NI.

## No. 6844NIY

### Push-pull type toggle clamp with yellow handle



Order no.	Size	F1 [kN]	F2 [kN]	Clamping screw	Weight [g]
557289	2	1,0	1,0	M6x25	130
557290	3	2,5	2,5	M8x35	320
557291	5	4,0	4,0	M12x50	1200

## No. 6844NIJ

### Push-pull type toggle clamp with orange handle



Order no.	Size	F1 [kN]	F2 [kN]	Clamping screw	Weight [g]
557454	2	1,0	1,0	M6x25	130
557455	3	2,5	2,5	M8x35	320
557456	5	4,0	4,0	M12x50	1200

## No. 6844NIE

### Push-pull type toggle clamp with blue handle



Order no.	Size	F1 [kN]	F2 [kN]	Clamping screw	Weight [g]
557775	2	1,0	1,0	M6x25	130
557776	3	2,5	2,5	M8x35	320
557777	5	4,0	4,0	M12x50	1200

## No. 6844NIG

Push-pull type toggle clamp with green handle



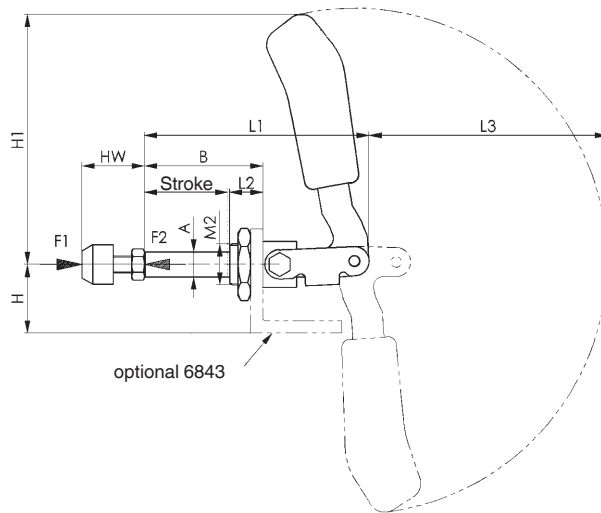
Order no.	Size	F1 [kN]	F2 [kN]	Clamping screw	Weight [g]
557611	2	1,0	1,0	M6x25	130
557612	3	2,5	2,5	M8x35	320
557613	5	4,0	4,0	M12x50	1200

## No. 6844NIT

Push-pull type toggle clamp with black handle



Order no.	Size	F1 [kN]	F2 [kN]	Clamping screw	Weight [g]
558186	2	1,0	1,0	M6x25	130
558187	3	2,5	2,5	M8x35	320
558188	5	4,0	4,0	M12x50	1200



### Recommendations



No. 6841NI,  
page 92



No. 6847NI,  
page 96

### Dimensions:

Size	A	B	E	H	H1	Stroke	HW min.	HW max.	L1	L2	L3	M	M2	N
2	10	36	15	24	73,0	21,5	17	27,0	68,5	13	69	M6	M16x1,5	30,5
3	12	57	25	33	120,5	40,0	22	37,5	108,0	16	115	M8	M20x1,5	33,0
5	16	92	45	37	149,0	67,0	30	50,0	175,0	24	139	M12	M24x1,5	49,0

## No. 6843NI

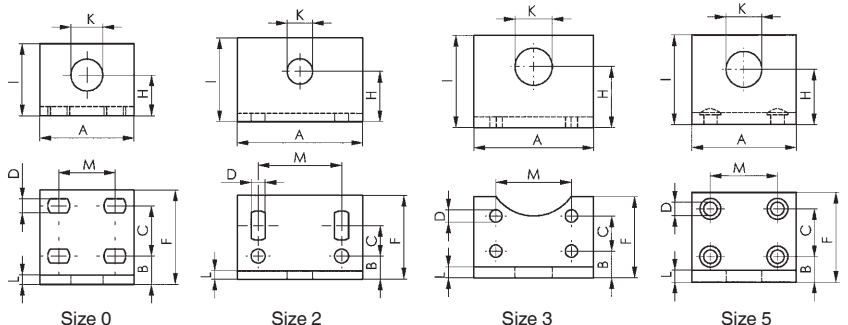
Angle base, solid

for no. 6841NI and no. 6844NI.

Stainless steel, polished. Increased range of application due to enlarged height of center line. Fastening by means of 4 screws.



Order no.	Size	A	B	C	D	F	H	I	K	L	M	Weight [g]
95091	0	30	9,0	16	4,5	30	13	23	10,2	3	15,5-20,5	35
95158	2	60	11,0	11-18	6,7	40	24	40	16,2	5	40	170
95174	3	65	14,5	19	6,7	44	33	50	20,2	6	41	260
95190	5	70	17,0	32	9,0	60	37	60	24,0	8	45	480



Subject to technical alterations.

## No. 6847NI

### Hook type toggle clamp

Stainless steel, polished. Rivets running in greased bushes. Handle of red high quality oil-resistant plastic. Ergonomic, oil-resistant handle with large grip surface and soft components for size 1. Suitable for use in food industry.

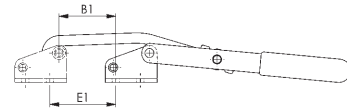
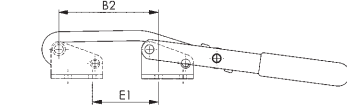
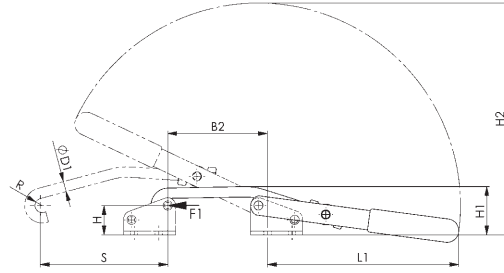
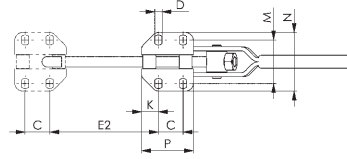


CAD

Order no.	Size	F1	Adjustm. distance	Weight [g]
		[kN]	[mm]	
95406	1	1,0	8	100
95422	3	1,5	12	270
95448	5	2,5	14	850



INOX STAINLESS STEEL



### Recommendations



No. 6848HNI, page 98



No. 6841NI, page 92

### Dimensions:

Order no.	Size	B1	B2	C	D	dia. D1	E1	E2	H	H1	H2	K	L1	M	N	P	R	S
95406	1	16,0-23,0	35,0-42,0	19	4,5	6	16,5-23,5	35,0-42,5	22,7	35,0	111	6	88	25,5-30,5	40	31	4,5	45
95422	3	32,5-44,0	65,5-77,0	19	5,6	8	39,5-50,5	72,5-84,0	22,7	36,5	179	13	148	31,0-36,0	45	40	5,5	97
95448	5	26,5-40,0	57,0-71,0	29	11,2	12	27,5-42,0	58,0-72,0	49,1	70,5	280	13	228	56,0-63,5	85	55	8,0	146

## No. 6847GNI

### Counter catch

For hook type toggle clamp no. 6847NI. Stainless steel, polished.

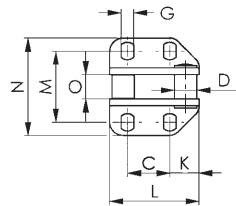
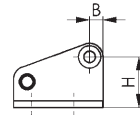


CAD

Order no.	Size	Height	Length	Weight [g]
		[mm]	[mm]	
95463	1	29	31	40
95489	3	29	40	70
95505	5	61	55	320



INOX STAINLESS STEEL



### Dimensions:

Order no.	Size	B	C	D	G	H	K	L	M	N	O
95463	1	6	19	8	4,5	22,7	6	31	26,0-30,0	40	6,9
95489	3	6	19	10	5,6	22,7	13	40	31,3-35,8	45	10,9
95505	5	12	29	15	11,2	49,1	13	55	56,5-64,0	86	13,8

Subject to technical alterations.

## No. 6847KNI

### Hook type toggle clamp

for cylindrical mounting surfaces.  
Stainless steel, polished. Rivets running in greased, continuous bearing bushes. Handle made of red, oil-resistant plastic. Use socket cap screws to ISO 4762 (DIN 912) for mounting.  
Also suitable for use in the food industry.

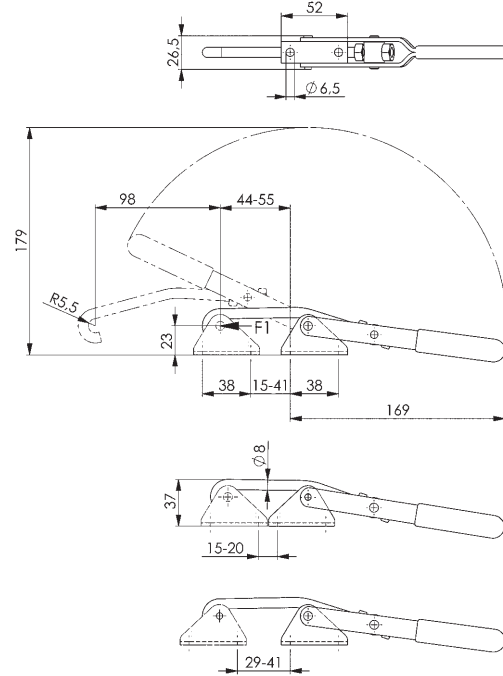


CAD

Order no.	Size	F1 [kN]	Adjustm. distance [mm]	Weight [g]
95455	3	1,5	22	270

#### Note:

The range of movement can be adjusted by swiveling the base and repositioning the catch.



#### Recommendations



No. 6847NI,  
page 96



No. 6847GNI,  
page 96

## No. 6847GKNI

### Counter catch

for cylindrical mounting surfaces.  
For hook-type toggle clamp no. 6847KNI. Stainless steel, polished. Continuous bush. Use socket cap screws to ISO 4762 (DIN 912) for mounting.

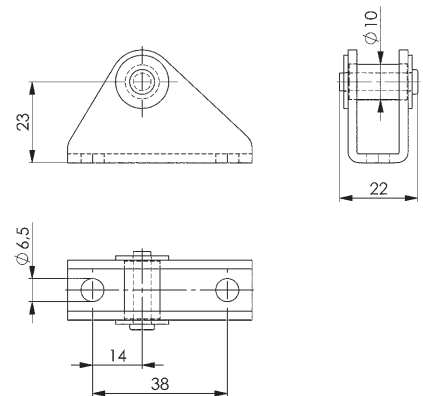


CAD

Order no.	Size	Height [mm]	Length [mm]	Weight [g]
95596	3	32	52	65

#### Note:

The adjustment range of the clamp can be increased by turning the counter catch.



## No. 6848HNI

### Horizontal hook-type toggle clamp with red handle

Stainless steel, polished. Rivets running in greased bushes. Ergonomic, oil-resistant handle with large grip surface and soft components.

**Supplied complete with counter catch.**

Also suitable for use in the food industry.



Order no.	Size	F1	Weight [g]
		[kN]	
95521	2	1,6	120
95547	3	3,2	330
95562	4	7,0	810

## No. 6848HNIY

### Horizontal hook-type toggle clamp with yellow handle



Order no.	Size	F1	Weight [g]
		[kN]	
557281	2	1,6	120
557282	3	3,2	330
557283	4	7,0	810

## No. 6848HNIJ

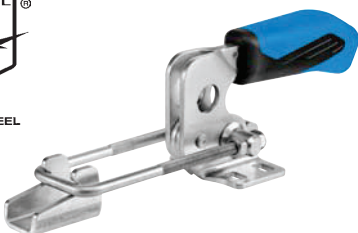
### Horizontal hook-type toggle clamp with orange handle



Order no.	Size	F1	Weight [g]
		[kN]	
557446	2	1,6	120
557447	3	3,2	330
557448	4	7,0	810

## No. 6848HNIE

### Horizontal hook-type toggle clamp with blue handle



Order no.	Size	F1	Weight [g]
		[kN]	
557767	2	1,6	120
557768	3	3,2	330
557769	4	7,0	810

Subject to technical alterations.

## No. 6848HNIG

Horizontal hook-type toggle clamp with green handle



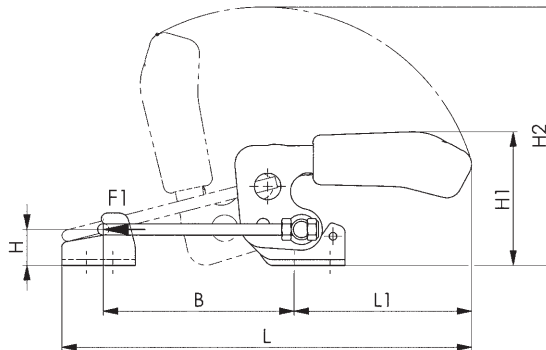
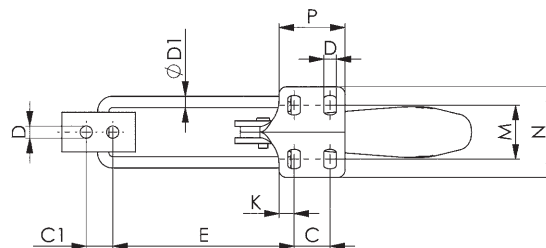
Order no.	Size	F1 [kN]	Weight [g]
557603	2	1,6	120
557604	3	3,2	330
557605	4	7,0	810

## No. 6848HNIT

Horizontal hook-type toggle clamp with black handle



Order no.	Size	F1 [kN]	Weight [g]
558178	2	1,6	120
558179	3	3,2	330
558180	4	7,0	810



CAD

### Recommendations



No. 6848VNI, page 102



No. 6847NI, page 96

### Dimensions:

Size	B min.	B max.	C	C1	D	dia. D1	E min.	E max.	H	H1	H2	K	L min.	L max.	L1	M	N	P
2	42,0	76	13	11	5,2	4	38,0	72	12	47,0	99	6,4	125	159	69	19,5-23,5	38,0	26,0
3	53,5	101	19	14	6,5	6	48,5	96	19	71,0	137	8,0	170	217	94	24,5-32,5	48,0	35,0
4	66,0	130	32	19	8,5	8	59,0	123	26	94,5	171	9,5	212	276	114	35,0-46,0	64,5	53,5

Subject to technical alterations.

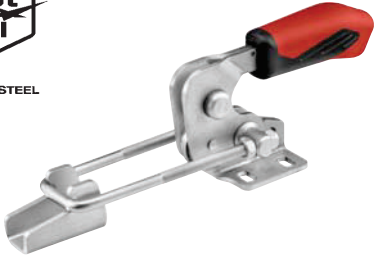


## No. 6848HSNI

### Horizontal hook-type toggle clamp with red handle and safety latch

Stainless steel, polished. Rivets running in greased bushes. Ergonomic, oil-resistant handle with large grip surface and soft components.

Supplied complete with counter catch.  
Also suitable for use in the food industry.



Order no.	Size	F1	Weight
		[kN]	[g]
93658	4	7,0	850

## No. 6848HSNIY

### Horizontal hook-type toggle clamp with yellow handle and safety latch



Order no.	Size	F1	Weight
		[kN]	[g]
557284	4	7,0	850

## No. 6848HSNIJ

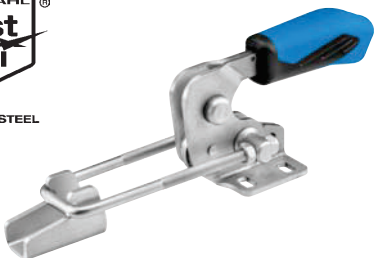
### Horizontal hook-type toggle clamp with orange handle and safety latch



Order no.	Size	F1	Weight
		[kN]	[g]
557449	4	7,0	850

## No. 6848HSNIE

### Horizontal hook-type toggle clamp with blue handle and safety latch



Order no.	Size	F1	Weight
		[kN]	[g]
557770	4	7,0	850

Subject to technical alterations.

## No. 6848HSNIG

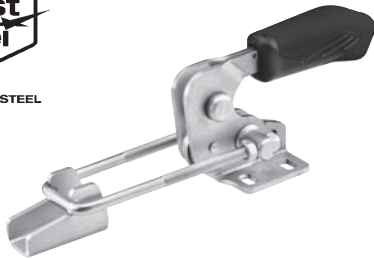
Horizontal hook-type toggle clamp with green handle and safety latch



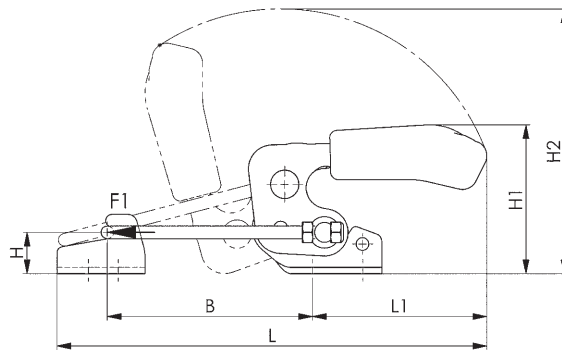
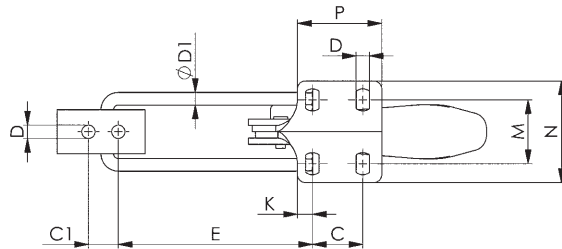
Order no.	Size	F1	Weight
		[kN]	[g]
557606	4	7,0	850

## No. 6848HSNIT

Horizontal hook-type toggle clamp with black handle and safety latch



Order no.	Size	F1	Weight
		[kN]	[g]
558181	4	7,0	850



CAD

### Recommendations



No. 6848VNI,  
page 102



No. 6848GHNI,  
page 179

### Dimensions:

Size	B min.	B max.	C	C1	D	dia. D1	E min.	E max.	H	H1	H2	K	L min.	L max.	L1	M	N	P
4	66	130	32	19	8,5	8	59	123	26	94	168	9,5	209	273	111	35-46	64,5	53,5

Subject to technical alterations.

## No. 6848VNI

### Vertical hook-type toggle clamp with red handle

Stainless steel, polished. Rivets running in greased bushes. Ergonomic, oil-resistant handle with large grip surface and soft components.

**Supplied complete with counter catch.**  
Also suitable for use in the food industry.



Order no.	Size	F1 [kN]	Weight [g]
95588	2	1,6	130
95604	3	3,2	340
95620	4	7,0	810

## No. 6848VNIY

### Vertical hook-type toggle clamp with yellow handle



Order no.	Size	F1 [kN]	Weight [g]
557285	2	1,6	130
557286	3	3,2	340
557287	4	7,0	810

## No. 6848VNIJ

### Vertical hook-type toggle clamp with orange handle



Order no.	Size	F1 [kN]	Weight [g]
557450	2	1,6	130
557451	3	3,2	340
557452	4	7,0	810

## No. 6848VNIE

### Vertical hook-type toggle clamp with blue handle



Order no.	Size	F1 [kN]	Weight [g]
557771	2	1,6	130
557772	3	3,2	340
557773	4	7,0	810

Subject to technical alterations.

## No. 6848VNIG

Vertical hook-type toggle clamp with green handle



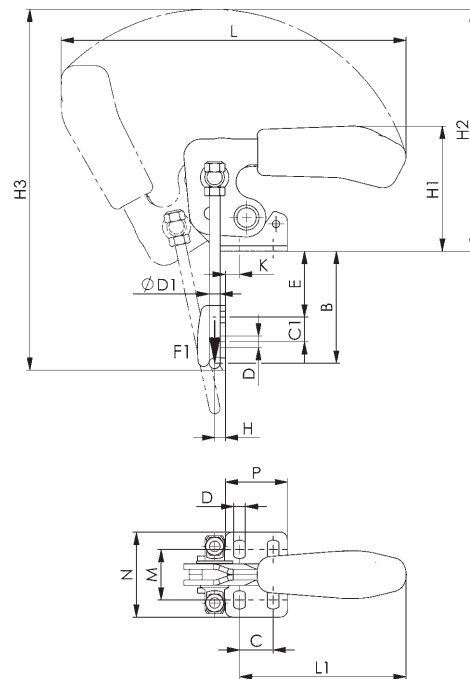
Order no.	Size	F1 [kN]	Weight [g]
557607	2	1,6	130
557608	3	3,2	340
557609	4	7,0	810

## No. 6848VNIT

Vertical hook-type toggle clamp with black handle



Order no.	Size	F1 [kN]	Weight [g]
558182	2	1,6	130
558183	3	3,2	340
558184	4	7,0	810



### Recommendations



No. 6848GVNI, page 179



No. 6844NI, page 94



No. 6803NI, page 86

### Dimensions:

Size	B min.	B max.	C	C1	D	dia. D1	E min.	E max.	H	H1	H2	H3	K	L	L1	M	N	P
2	24	47	13	11	5,2	4	5,0	28	4,5	47,0	99	150	6,8	158	69	19,5-23,5	38,0	26,0
3	33	63	19	14	6,5	6	6,5	36	6,0	70,0	137	172	8,0	195	93	24,5-32,5	48,0	35,0
4	43	81	32	19	8,5	8	9,0	47	8,0	94,5	168	254	9,5	239	111	35,0-46,0	64,5	53,5

Subject to technical alterations.