

THE ADVANTAGES OF THE SAFETY LATCH

The patented safety latch will hold the clamping arm of a manual clamp in both the closed and open positions, so that it is protected against unintentional opening or closing through vibration or if the clamp is mounted overhead.

A clear argument for safety in the workplace!



No. 6800S

Vertical toggle clamp with red handle and safety latch

for open and clamped positions.

With open clamping arm and horizontal base.

Galvanized and passivated. Stainless steel rivets, which run in hardened bushes. Bearings are pre-lubricated.

Ergonomic, oil-resistant handle with large grip surface and soft components. Safety clamping piece with finger protection. Lock washer for the thrust bolt at the end of the clamping arm.

Complete with tempered, galvanized clamping screw no. 6890.



Order no.	Size	F1 [kN]	F2 [kN]	Clamping screw	Weight [g]
90134	2	0,8	1,2	M6x35	260
90142	3	1,2	2,5	M8x45	470
90159	4	1,7	3,0	M8x65	690

No. 6800SY

Vertical toggle clamp with yellow handle and safety latch



Order no.	Size	F1 [kN]	F2 [kN]	Clamping screw	Weight [g]
557179	2	0,8	1,2	M6x35	260
557180	3	1,2	2,5	M8x45	470
557181	4	1,7	3,0	M8x65	690

No. 6800SJ

Vertical toggle clamp with orange handle and safety latch



Order no.	Size	F1 [kN]	F2 [kN]	Clamping screw	Weight [g]
557417	2	0,8	1,2	M6x35	260
557418	3	1,2	2,5	M8x45	470
557419	4	1,7	3,0	M8x65	690

Subject to technical alterations.

No. 6800SE

Vertical toggle clamp with blue handle and safety latch



Order no.	Size	F1 [kN]	F2 [kN]	Clamping screw	Weight [g]
557724	2	0,8	1,2	M6x35	260
557725	3	1,2	2,5	M8x45	470
557726	4	1,7	3,0	M8x65	690

No. 6800SG

Vertical toggle clamp with green handle and safety latch



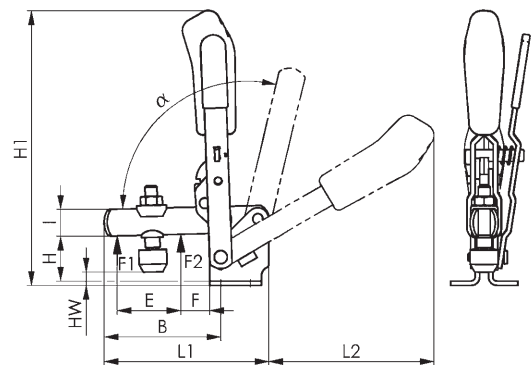
Order no.	Size	F1 [kN]	F2 [kN]	Clamping screw	Weight [g]
557569	2	0,8	1,2	M6x35	260
557570	3	1,2	2,5	M8x45	470
557571	4	1,7	3,0	M8x65	690

No. 6800ST

Vertical toggle clamp with black handle and safety latch



Order no.	Size	F1 [kN]	F2 [kN]	Clamping screw	Weight [g]
558129	2	0,8	1,2	M6x35	260
558130	3	1,2	2,5	M8x45	470
558131	4	1,7	3,0	M8x65	690



Recommendations



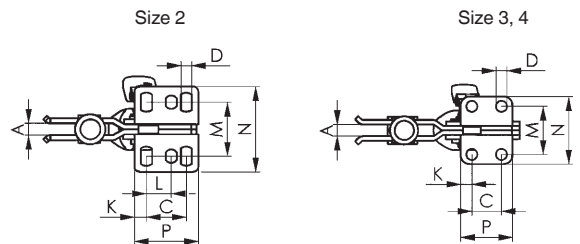
No. 6891,
page 168



No. 6800,
page 12



No. 6860,
page 44



Dimensions:

Size	A	B	C	D	E	F	H	H1	HW min.	HW max.	I	K	L	L1	L2	M	N	P	α	α*
2	6	52	20	5,5	25	11	23,0	139,5	-3	4,5	12	6,0	12,5	78	89	23-31	43	32	105°	60°
3	8	79	20	7,5	36	19	33,0	186,0	2	11,0	18	7,5	-	112	112	32,5	46	35	105°	60°
4	10	101	32	8,6	54	16	42,5	221,0	-6	22,5	20	13,0	-	141	130	45,0	64	53	105°	60°

* The opening angle can be changed by pressing in a stop pin.

Subject to technical alterations.

No. 6802S

Vertical toggle clamp with red handle and safety latch

for open and clamped positions.

With open clamping arm and vertical base.

Galvanized and passivated. Stainless steel rivets, which run in hardened bushes. Bearings are pre-lubricated.

Ergonomic, oil-resistant handle with large grip surface and soft components. Safety clamping piece with finger protection. Lock washer for the thrust bolt at the end of the clamping arm.

Complete with tempered, galvanized clamping screw no. 6890.



Order no.	Size	F1 [kN]	F2 [kN]	Clamping screw	Weight [g]
90209	2	0,8	1,2	M6x35	175
90274	3	1,2	2,5	M8x45	470
90282	4	1,7	3,0	M8x65	690

No. 6802SY

Vertical toggle clamp with yellow handle and safety latch



Order no.	Size	F1 [kN]	F2 [kN]	Clamping screw	Weight [g]
557182	2	0,8	1,2	M6x35	175
557183	3	1,2	2,5	M8x45	470
557184	4	1,7	3,0	M8x65	690

No. 6802SJ

Vertical toggle clamp with orange handle and safety latch



Order no.	Size	F1 [kN]	F2 [kN]	Clamping screw	Weight [g]
557420	2	0,8	1,2	M6x35	175
557421	3	1,2	2,5	M8x45	470
557422	4	1,7	3,0	M8x65	690

No. 6802SE

Vertical toggle clamp with blue handle and safety latch



Order no.	Size	F1 [kN]	F2 [kN]	Clamping screw	Weight [g]
557735	2	0,8	1,2	M6x35	175
557736	3	1,2	2,5	M8x45	470
557737	4	1,7	3,0	M8x65	690

Subject to technical alterations.

No. 6802SG

Vertical toggle clamp with green handle and safety latch



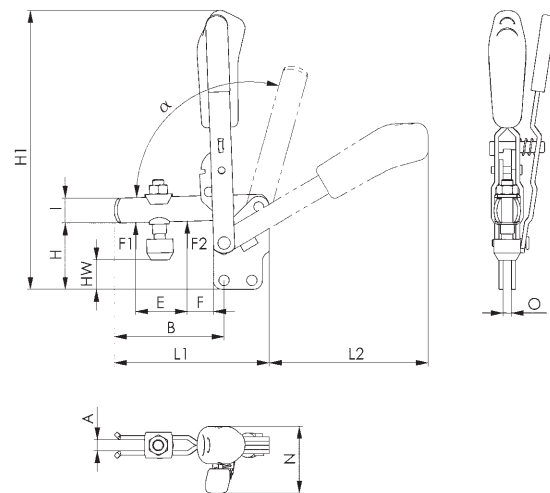
Order no.	Size	F1 [kN]	F2 [kN]	Clamping screw	Weight [g]
557572	2	0,8	1,2	M6x35	175
557573	3	1,2	2,5	M8x45	470
557574	4	1,7	3,0	M8x65	690

No. 6802ST

Vertical toggle clamp with black handle and safety latch



Order no.	Size	F1 [kN]	F2 [kN]	Clamping screw	Weight [g]
558136	2	0,8	1,2	M6x35	175
558137	3	1,2	2,5	M8x45	470
558138	4	1,7	3,0	M8x65	690



Recommendations



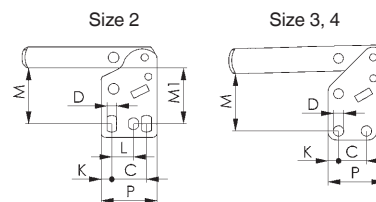
No. 6895,
page 178



No. 6802,
page 16



No. 6820A,
page 138



Dimensions:

Size	A	B	C	D	E	F	H	H1	HW min.	HW max.	I	K	L	L1	L2	M	M1	N	O	P	α	α^*
2	6	52	20	5,5	25	11	38	154	11,5	19,5	12	6,0	12,5	78	89	28,5-32	30	37,5	5	32	105°	60°
3	8	79	20	7,5	37	19	48	200	10,0	18,5	18	7,5	-	111	114	41,0	-	48,0	6	40	105°	60°
4	10	101	32	8,6	54	16	65	244	16,5	45,5	20	13,0	-	141	130	55,5	-	53,0	8	53	105°	60°

* The opening angle can be changed by pressing in a stop pin.

Subject to technical alterations.

No. 6803S

Vertical toggle clamp with red handle and safety latch

for open and clamped positions.

With open clamping arm and angled base.

Galvanized and passivated. Stainless steel rivets, which run in hardened bushes. Bearings are pre-lubricated.

Ergonomic, oil-resistant handle with large grip surface and soft components. Safety clamping piece with finger protection. Lock washer for the thrust bolt at the end of the clamping arm.

Complete with tempered, galvanized clamping screw no. 6890.



Order no.	Size	F1 [kN]	F2 [kN]	Clamping screw	Weight [g]
90357	2	0,8	1,2	M6x35	250
90365	3	1,2	2,5	M8x45	535
90373	4	1,7	3,0	M8x65	750

No. 6803SY

Vertical toggle clamp with yellow handle and safety latch



Order no.	Size	F1 [kN]	F2 [kN]	Clamping screw	Weight [g]
557202	2	0,8	1,2	M6x35	250
557203	3	1,2	2,5	M8x45	535
557204	4	1,7	3,0	M8x65	750

No. 6803SJ

Vertical toggle clamp with orange handle and safety latch



Order no.	Size	F1 [kN]	F2 [kN]	Clamping screw	Weight [g]
557423	2	0,8	1,2	M6x35	250
557424	3	1,2	2,5	M8x45	535
557425	4	1,7	3,0	M8x65	750

No. 6803SE

Vertical toggle clamp with blue handle and safety latch



Order no.	Size	F1 [kN]	F2 [kN]	Clamping screw	Weight [g]
557738	2	0,8	1,2	M6x35	250
557739	3	1,2	2,5	M8x45	535
557740	4	1,7	3,0	M8x65	750

Subject to technical alterations.

No. 6803SG

Vertical toggle clamp with green handle and safety latch



Order no.	Size	F1 [kN]	F2 [kN]	Clamping screw	Weight [g]
557575	2	0,8	1,2	M6x35	250
557576	3	1,2	2,5	M8x45	535
557577	4	1,7	3,0	M8x65	750

No. 6803ST

Vertical toggle clamp with black handle and safety latch



Order no.	Size	F1 [kN]	F2 [kN]	Clamping screw	Weight [g]
558149	2	0,8	1,2	M6x35	250
558150	3	1,2	2,5	M8x45	535
558151	4	1,7	3,0	M8x65	750

Recommendations



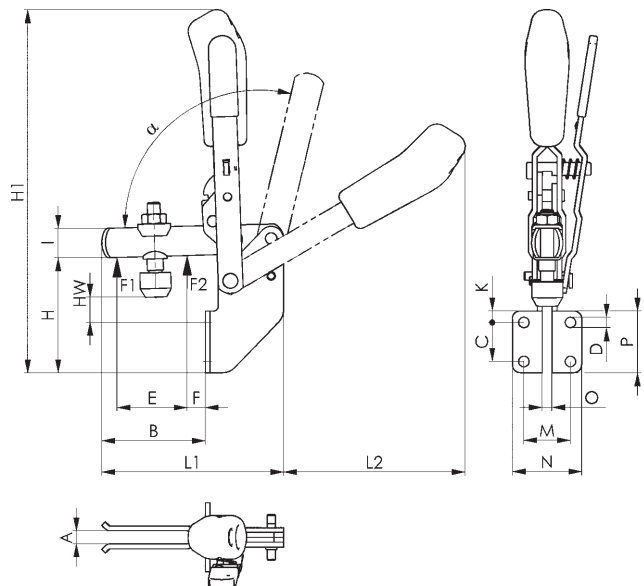
No. 6896,
page 171



No. 6803,
page 18



No. 6821A,
page 139



CAD

Dimensions:

Size	A	B	C	D	E	F	H	H1	HW min.	HW max.	I	K	L1	L2	M	N	O	P	α	α^*
2	6	41	20	6,1	25	6	60,0	176,5	8	15,5	12	6	77	90	25,5	37,0	5	32	105°	60°
3	8	62	24	6,5	37	11	71,0	223,0	9	17,5	18	7	110	112	28,5	42,5	6	38	105°	60°
4	10	83	32	8,5	54	11	101,5	280,0	11	39,5	20	54	141	129	32,0	52,0	8	96	105°	60°

* The opening angle can be changed by pressing in a stop pin.

Subject to technical alterations.

No. 6804S

Vertical toggle clamp with red handle and safety latch

for open and clamped positions.

With solid clamping arm and horizontal base.

Galvanized and passivated. Stainless steel rivets, which run in hardened bushes. Bearings are pre-lubricated.

Ergonomic, oil-resistant handle with large grip surface and soft components. Safety clamping piece with finger protection.

Complete with tempered, galvanized clamping screw no. 6890 and sleeve to weld on.



Order no.	Size	F1 [kN]	F2 [kN]	Clamping screw	Weight [g]
90399	3	1,4	2,5	M8x45	470
90407	4	2,0	3,0	M8x65	690

No. 6804SY

Vertical toggle clamp with yellow handle and safety latch



Order no.	Size	F1 [kN]	F2 [kN]	Clamping screw	Weight [g]
557205	3	1,4	2,5	M8x45	470

No. 6804SJ

Vertical toggle clamp with orange handle and safety latch



Order no.	Size	F1 [kN]	F2 [kN]	Clamping screw	Weight [g]
557426	3	1,4	2,5	M8x45	470

No. 6804SE

Vertical toggle clamp with blue handle and safety latch



Order no.	Size	F1 [kN]	F2 [kN]	Clamping screw	Weight [g]
557746	3	1,4	2,5	M8x45	470

Subject to technical alterations.

No. 6804SG

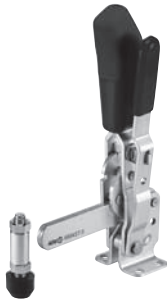
Vertical toggle clamp with green handle and safety latch



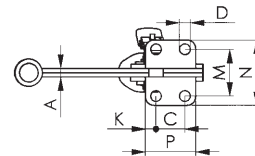
Order no.	Size	F1 [kN]	F2 [kN]	Clamping screw	Weight [g]
557578	3	1,4	2,5	M8x45	470

No. 6804ST

Vertical toggle clamp with black handle and safety latch



Order no.	Size	F1 [kN]	F2 [kN]	Clamping screw	Weight [g]
558155	3	1,4	2,5	M8x45	470



Recommendations



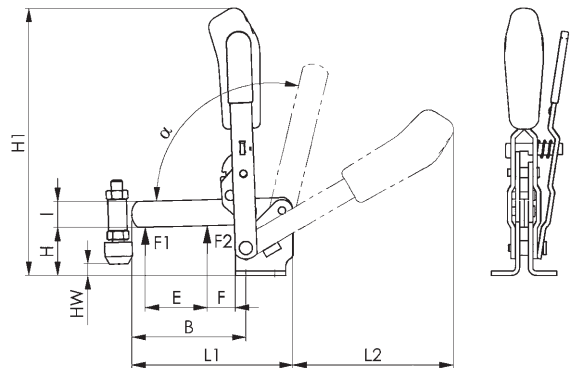
No. 6886,
page 168



No. 6804,
page 20



No. 6834S,
page 78



Dimensions:

Size	A	B	C	D	E	F	H	H1	HW min.	HW max.	I	K	L1	L2	M	N	P	α	α^*
3	6	81	20	7,1	43	19	48,0	186	0	12	18	7,5	112	112	32	46	35	105°	60°
4	8	101	32	8,5	61	16	42,5	220	-8	21	20	13,0	140	130	45	64	53	105°	60°

* The opening angle can be changed by pressing in a stop pin.

Subject to technical alterations.

No. 6830S

Horizontal toggle clamp with red handle and safety latch

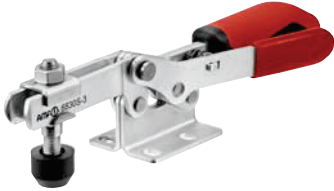
for open and clamped positions.

With open clamping arm and horizontal base.

Galvanized and passivated. Stainless steel rivets which run in hardened bushes, bearings are lubricated.

Ergonomic, oil-resistant handle with large grip surface and soft components. Lock washer for the thrust bolt at the end of the clamping arm.

Complete with tempered, galvanized clamping screw no. 6890.



Order no.	Size	F1 [kN]	F2 [kN]	Clamping screw	Weight [g]
92650	3	1,8	2,5	M8x45	390
93112	4	2,0	3,0	M8x65	800

Note:

For suitable sensor monitor for size 3 see no. 6897S.

No. 6830SY

Horizontal toggle clamp with yellow handle and safety latch



Order no.	Size	F1 [kN]	F2 [kN]	Clamping screw	Weight [g]
557206	3	1,8	2,5	M8x45	390
557207	4	2,0	3,0	M8x65	800

No. 6830SJ

Horizontal toggle clamp with orange handle and safety latch



Order no.	Size	F1 [kN]	F2 [kN]	Clamping screw	Weight [g]
557427	3	1,8	2,5	M8x45	390
557428	4	2,0	3,0	M8x65	800

No. 6830SE

Horizontal toggle clamp with blue handle and safety latch



Order no.	Size	F1 [kN]	F2 [kN]	Clamping screw	Weight [g]
557747	3	1,8	2,5	M8x45	390
557748	4	2,0	3,0	M8x65	800

No. 6830SG

Horizontal toggle clamp with green handle and safety latch



Order no.	Size	F1 [kN]	F2 [kN]	Clamping screw	Weight [g]
557579	3	1,8	2,5	M8x45	390
557580	4	2,0	3,0	M8x65	800

No. 6830ST

Horizontal toggle clamp with black handle and safety latch



Order no.	Size	F1 [kN]	F2 [kN]	Clamping screw	Weight [g]
558156	3	1,8	2,5	M8x45	390
558157	4	2,0	3,0	M8x65	800

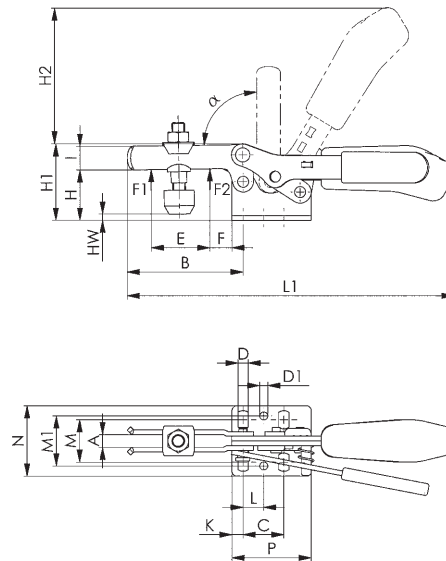
Recommendations



No. 6895,
page 178

No. 6830,
page 32

No. 6834S,
page 78



CAD

Dimensions:

Size	A	B	C	D	D1	E	F	H	H1	H2	HW min.	HW max.	I	K	L	L1	M	M1	N	P	α
3	8	73	25,7	6,5	5,1	38	14	32	48,5	86,0	-2	9	15	7	13,0	206	22,0-31,8	31,6	45,5	50	90°
4	10	113	41,0	8,5	8,5	63	27	45	75,0	126,5	-4	24	20	8	20,5	287	29,0-43,0	43,0	58	57	90°

Subject to technical alterations.

No. 6832S

Horizontal toggle clamp with red handle and safety latch

for open and clamped positions.

With open clamping arm and vertical base.

Galvanized and passivated. Stainless steel rivets, which run in hardened bushes. Bearings are pre-lubricated.

Ergonomic, oil-resistant handle with large grip surface and soft components. Lock washer for the thrust bolt at the end of the clamping arm.

Complete with tempered, galvanized clamping screw no. 6890.



Order no.	Size	F1 [kN]	F2 [kN]	Clamping screw	Weight [g]
93195	3	1,8	2,5	M8x45	390
93260	4	2,0	3,0	M8x65	800

No. 6832SY

Horizontal toggle clamp with yellow handle and safety latch



Order no.	Size	F1 [kN]	F2 [kN]	Clamping screw	Weight [g]
557209	3	1,8	2,5	M8x45	390
557210	4	2,0	3,0	M8x65	800

No. 6832SJ

Horizontal toggle clamp with orange handle and safety latch



Order no.	Size	F1 [kN]	F2 [kN]	Clamping screw	Weight [g]
557429	3	1,8	2,5	M8x45	390
557430	4	2,0	3,0	M8x65	800

No. 6832SE

Horizontal toggle clamp with blue handle and safety latch



Order no.	Size	F1 [kN]	F2 [kN]	Clamping screw	Weight [g]
557749	3	1,8	2,5	M8x45	390
557750	4	2,0	3,0	M8x65	800

No. 6832SG

Horizontal toggle clamp with green handle and safety latch



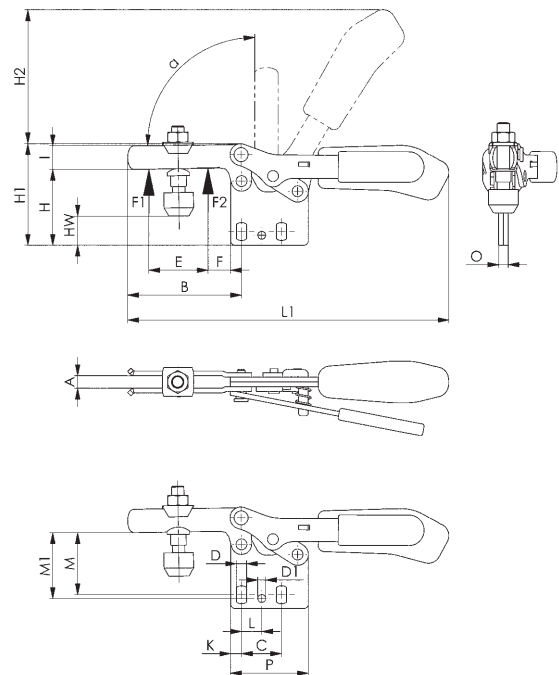
Order no.	Size	F1 [kN]	F2 [kN]	Clamping screw	Weight [g]
557581	3	1,8	2,5	M8x45	390
557582	4	2,0	3,0	M8x65	800

No. 6832ST

Horizontal toggle clamp with black handle and safety latch



Order no.	Size	F1 [kN]	F2 [kN]	Clamping screw	Weight [g]
558158	3	1,8	2,5	M8x45	390
558159	4	2,0	3,0	M8x65	800



CAD

Recommendations



No. 6896,
page 171



No. 6890,
page 164



No. 6832,
page 36

Dimensions:

Size	A	B	C	D	D1	E	F	H	H1	H2	HW min.	HW max.	I	K	L	L1	M	M1	O	P	α
3	8	73	25,7	6,5	5,1	38	14	49,0	65	86	14,5	26	15	7	13,0	206	37,5-42,5	42	6	50	90°
4	10	113	41,0	8,5	8,5	63	27	66,5	97	126	17,5	46	20	8	20,5	287	52,0-59,0	59	8	57	90°

Subject to technical alterations.

No. 6834S

Horizontal toggle clamp with red handle and safety latch

for open and clamped positions.

With solid clamping arm and horizontal base.

Galvanized and passivated. Stainless steel rivets, which run in hardened bushes. Bearings are pre-lubricated.

Ergonomic, oil-resistant handle with large grip surface and soft components.

Complete with tempered, galvanized clamping screw no. 6885 and sleeve to weld on.



Order no.	Size	F1 [kN]	F2 [kN]	Clamping screw	Weight [g]
93534	4	2	3	M8x65	800

No. 6834SY

Horizontal toggle clamp with yellow handle and safety latch



Order no.	Size	F1 [kN]	F2 [kN]	Clamping screw	Weight [g]
557211	4	2	3	M8x65	800

No. 6834SJ

Horizontal toggle clamp with orange handle and safety latch



Order no.	Size	F1 [kN]	F2 [kN]	Clamping screw	Weight [g]
557431	4	2	3	M8x65	800

No. 6834SE

Horizontal toggle clamp with blue handle and safety latch



Order no.	Size	F1 [kN]	F2 [kN]	Clamping screw	Weight [g]
557751	4	2	3	M8x65	800

Subject to technical alterations.

No. 6834SG

Horizontal toggle clamp with green handle and safety latch



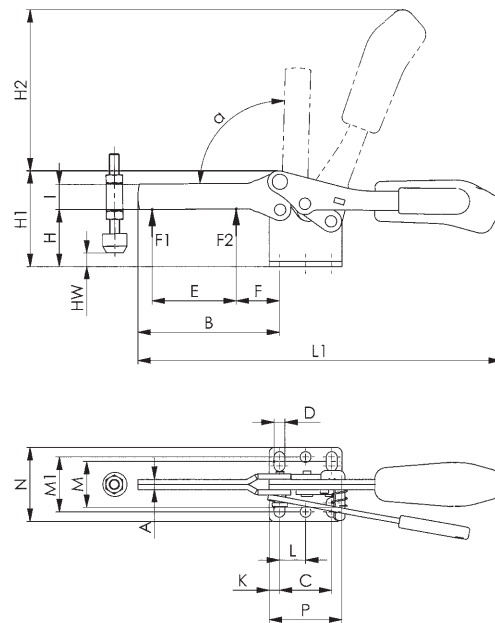
Order no.	Size	F1 [kN]	F2 [kN]	Clamping screw	Weight [g]
557583	4	2	3	M8x65	800

No. 6834ST

Horizontal toggle clamp with black handle and safety latch



Order no.	Size	F1 [kN]	F2 [kN]	Clamping screw	Weight [g]
558160	4	2	3	M8x65	800



CAD

Recommendations



No. 6886,
page 168



No. 6834,
page 40



No. 6804S,
page 72

Dimensions:

Size	A	B	C	D	E	F	H	H1	H2	HW min.	HW max.	I	K	L	L1	M	M1	N	P	α
4	8	111	41	8,5	66	34	45	75	126,5	-6	23	20	8	20,5	286	29 - 43	43	58	57	90°

Subject to technical alterations.