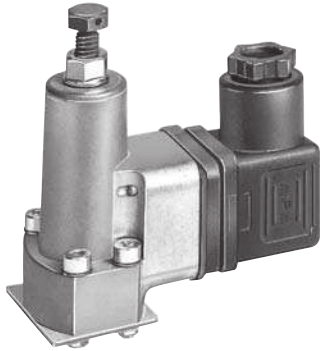
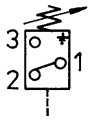


## No. 6982

### Piston Pressure Switch

electric-hydraulic



Order no.	Article no.	Operating pressure [bar]	Temp. [°C]	Ingress protection	Switching frequency [1/min]	Voltage	OR-1 O-ring Order No.	Weight [g]
492256	6982-07	12-170	-20 - +80	IP65	30	12V - 230V = 4A	161810	300
136291	6982-06	20-210	-20 - +80	IP 65	30	12V - 230V = 4A	161810	300
402610	6982-08	100-400	-20 - +80	IP 65	30	12V - 230V = 4A	161810	300
276881	6982-05	200-630	-20 - +80	IP 65	30	12V - 230V = 4A	161802	300

#### Design:

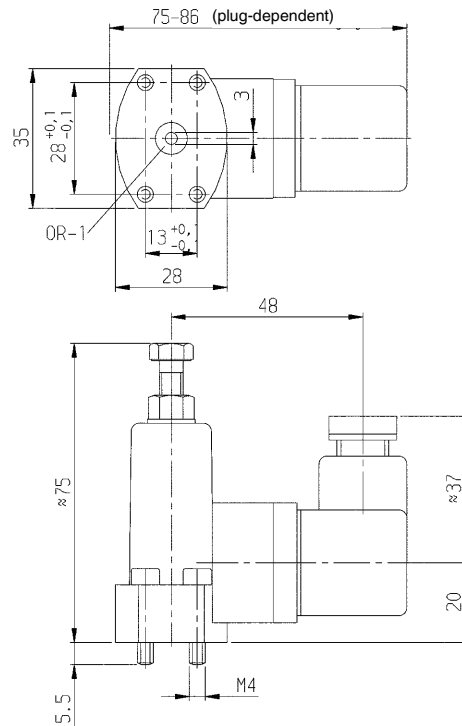
Microswitch. Design: Spring-loaded piston.

#### Application:

For electric-hydraulic pressure monitoring of a clamping circuit. The piston pressure switch can be mounted onto an adapter plate for tube connection.

#### Note:

Any built in position possible.



CAD



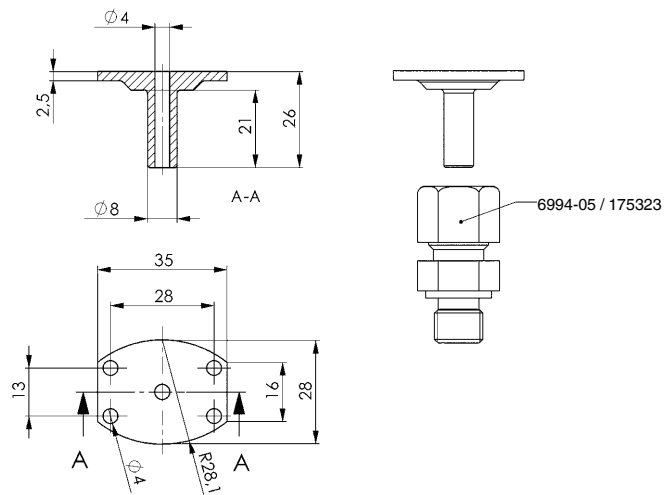
## No. 6982-05-01

### Flange with pipe socket

for piston pressure switch No. 6982-05, -06, -07 and -08.



Order no.	Article no.	Weight [g]
497636	6982-05-01	36



CAD



Subject to technical alterations.